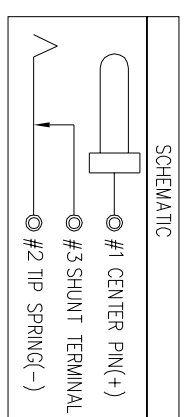
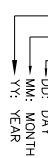


SPECIFICATIONS:

- ELECTRICAL CHARACTERISTICS:
 - RATING: 20V 7A
 - CONTACT RESISTANCE: 30mΩ MAX
 - DIELECTRIC WITHSTANDING VOLTAGE: 500V AC FOR ONE MINUTE
 - INSULATION RESISTANCE: 100MΩ MIN. MEASURED BY 500 VDC
- MECHANICAL CHARACTERISTICS:
 - INSERTION FORCE: 3.5kgf MAX
 - WITHDRAWAL FORCE: 0.5kgf~3.5kgf
 - TEMPERATURE RISE CAN'T EXCEE 30°C
 - LIFE TEST: 5000 CYCLES MIN.
- TO CONFORM TO SINGATRON HAZARDOUS SUBSTANCE FREE SPEC.
- HALOGEN FREE PRODUCT IDENTIFICATION MARK ON JACK
- FOR REFLOW SOLDERING LEAD FREE PROCESS.
- PRINTED DATE CODE "YMMDD" ON TOP OF CONNECTOR.



NO	DESCRIPTION	QTY	MATERIAL	PLATING & COLOR
G	GROUND	1	SUS 0.1T	N/A
F	SHIELD	1	COPPER ALLOY,0.35T	Ni 60u" MIN.
E	TERMINAL	1	HIGH TEMP.THERMOPLASTIC UL 94V-0	BLACK
D	CENTER PIN	1	COPPER ALLOY	Au30u"MIN,Ni20u"MIN
C	SHUNT TERMINAL	1	COPPER ALLOY,0.4T	Aq20u"MIN,Ni20u"MIN
B	TIP SPRING	1	COPPER ALLOY,0.3T	Aq20u"MIN,Ni20u"MIN
A	BODY	1	HIGH TEMP.THERMOPLASTIC UL 94V-0	BLACK

UNLESS OTHERWISE SPECIFIED TOLERANCES

Singatron Enterprise Co., Ltd.
信晉企業股份有限公司

TITLE: DC POWER JACK

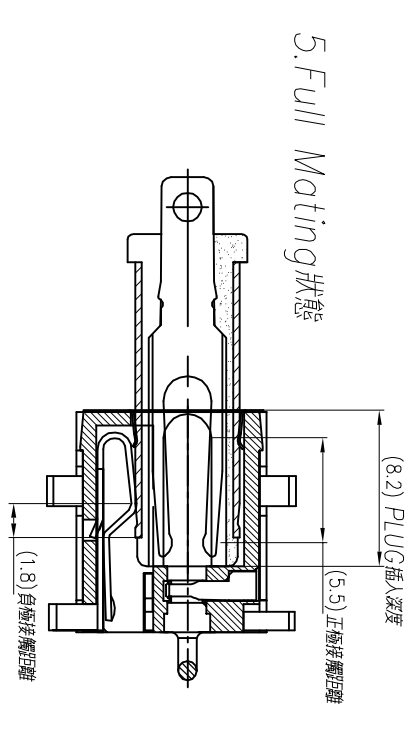
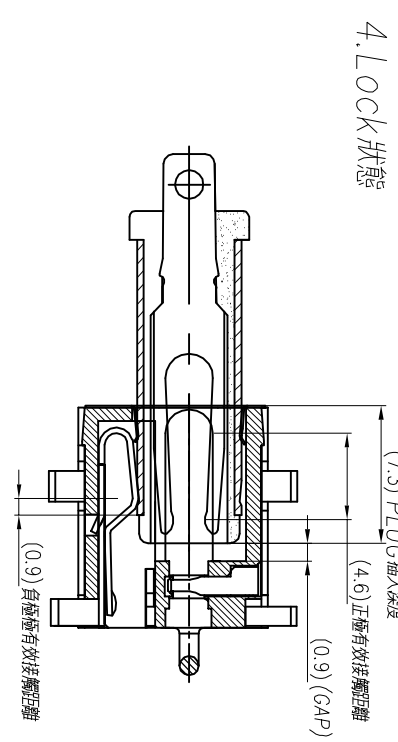
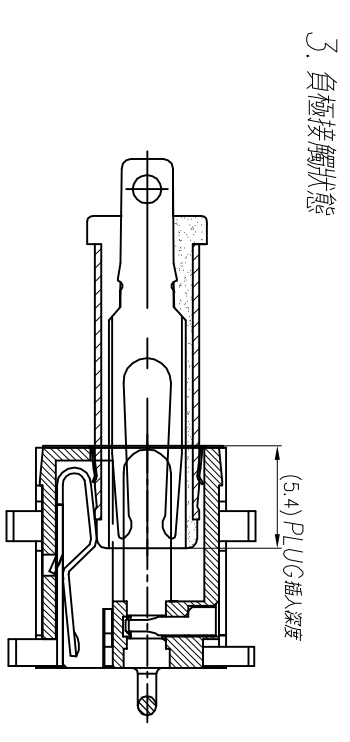
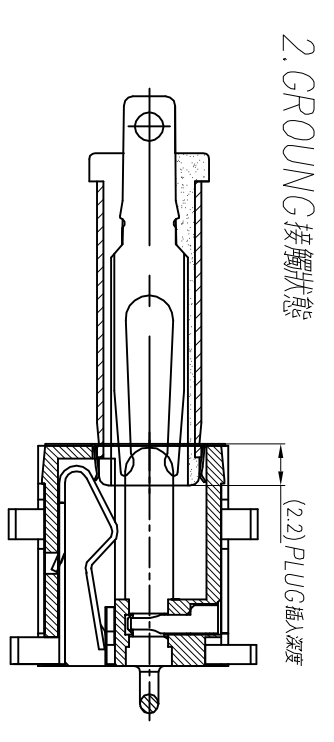
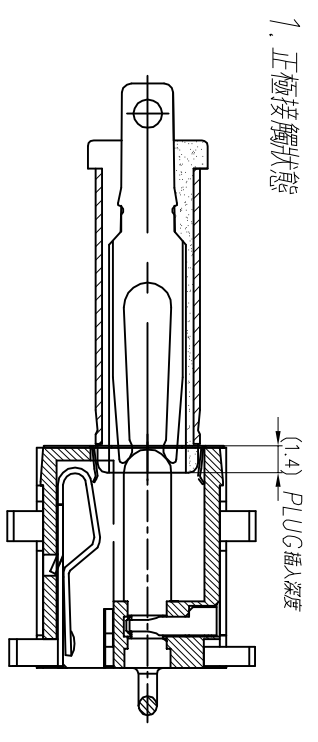
DCM	WENSHUO	PART NO.:	2DC-G028-B19F
CHKD	Sky	SCALE	1:1
APVD	Lussen	SIZE	A3
		SHEET	1 OF 2
		REV	A

RECOMMENDED P.C.B LAYOUT
TOP VIEW (TOLERANCES: ±0.05)

REV	ECN NO	OR DESCRIPTION	REVISED	DATE
A	PDR NO.:	T161007-5A	Wenshuo	2017.11.27

CUSTOMER COPY

REV	ECN NO OR DESCRIPTION	REVISED	DATE
A	PDR NO.:T161007-5A	Wenshuo	2017.11.27



NO	DESCRIPTION	QTY	MATERIAL	PLATING & COLOR
UNLESS OTHERWISE SPECIFIED TOLERANCES				
DECIMALS: X : ±0.5 X : ±2° ANGLES: X : ±2° X.X : ±0.3 X.X : ±1° X.XX : ±0.2 X.XX : ±0.2				
TITLE			DC JACK MATING DRAWING	
DWG			Wenshuo	
CHKD			Sky	
APVD			Lussen	
SCALE			1:1	
UNIT			mm	
SHEET			2 OF 2	
REV			A	

Singatron Enterprise Co., Ltd.
信音企業股份有限公司

CUSTOMER COPY