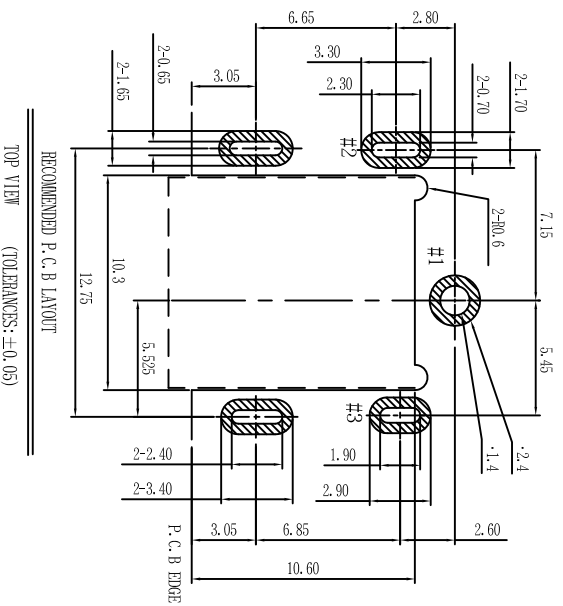
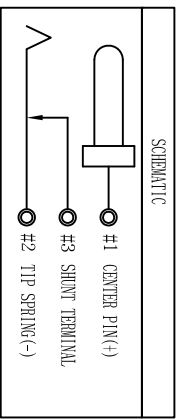
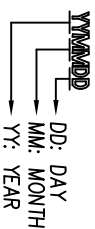


MATING PLUG Ø5.50
(TOLERANCES: ±0.05)



REV.	ECN NO. OR DESCRIPTION	REVISED	DATE
C	MODIFICATION DRAWING ECN NO. C100029	LONGJIANG	2010.07.20
D	ECN NO. C100044	REX	2010.07.27
E	ECN: C110073 MODIFY GROUND	LONGJIANG	2011.3.17
F	ECN: C110345-4 MODIFY DIMENSION	HaJun	2012.01.04

- SPECIFICATIONS:
- RATING: DC 20V 7A
 - INSERTION FORCE: 2.5KG MAX.
WITHDRAWAL FORCE: 1.0KG~2.5Kg
 - INSULATION RESISTANCE BETWEEN ANY ADJACENT TERMINALS SHALL NOT BE LESS THAN 100 MEGOHMS BY 500 VDC.
 - JACK SHALL WITHSTAND 500 VOLTS BETWEEN ANY ADJACENT TERMINAL FOR ONE MINUTE.
 - CONTACT RESISTANCE SHALL NOT EXCEED 0.03 OHMS.
 - JACK SHALL WITHSTAND 5,000 CYCLES OF INSERTION AND WITHDRAWAL WITH TESTING PLUG, AND CONTACT RESISTANCE SHALL NOT EXCEED 0.06 OHMS.
 - MEASURING CONDITION:
TEMPERATURE: FROM 5°C TO 35°C.
RELATIVE HUMIDITY: FROM 40% TO 85%.
 - TO CONFORM TO SINGATRON HAZARDOUS SUBSTANCE FREE SPEC.
 - GREEN PRODUCT IDENTIFICATION MARK ON JACK: ♣
 - GREEN PRODUCT IDENTIFICATION LABEL ON PACKAGING: [E.P.PASS]
 - FOR REFLOW SOLDERING LEAD FREE PROCESS.
 - PRINTED DATE CODE "YNMMDD" ON TOP OF CONNECTOR.
 - PACKAGING: TAPE&REEL



G	GROUND	1	SUS 0.1T	N/A
F	SHIELD	1	COPPER ALLOY 0.35T	NI 60U *MIN.
E	TERMINAL	1	PA91+30% UL 94V-0	N/A
D	CONTACT PIN	1	COPPER ALLOY	GOLD FLASH
C	SHUNT TERMINAL	1	COPPER ALLOY 0.4T	Ag20u *MIN./Ni20u *MIN
B	TIP SPRING	1	COPPER ALLOY 0.3T	Ag20u *MIN./Ni20u *MIN
A	BODY	1	NYLON-91+30% GF	BLACK COLOR
NO	DESCRIPTION	QTY	MATERIAL	PLATING & COLOR
UNLESS OTHERWISE SPECIFIED TOLERANCES				
DECIMALS:		ANGLES:		
X	: ±0.5	X	: ±2°	
X.X	: ±0.3	X.X	: ±1°	
X.XX	: ±0.2			
信亨企業股份有限公司 Singatron Enterprise Co., Ltd.				
TITLE		DC POWER JACK		
DMW	DRAWN	PART NO. 2DC-G028-C11		
CHD	CHECKED	SCALE	4:1	
APD	APPROVED	SIZE	A3	SHEET: 1OF1
REV: F				
CUSTOMER COPY				