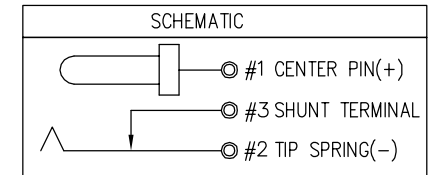
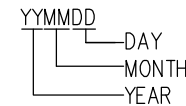


REV.	ECN NO OR DESCRIPTION	REVISED	DATE
A	PDR No.: T170112-4A	YUREN	2017.10.30
B	ECN No.: S180714-Q	KEN	2018.12.28
C	ECN No.: S202108-E02	Xuehua	2021.8.5

SPECIFICATIONS:

- ELECTRICAL CHARACTERISTICS:
 - 1-1. RATING: DC 20V 5.5A
 - 1-2. CONTACT RESISTANCE: 30mΩ MAX.(INITIAL) 60mΩ MAX.(FINAL)
 - 1-3. DIELECTRIC WITHSTANDING VOLTAGE: 500V AC FOR ONE MINUTE.
 - 1-4. INSULATION RESISTANCE: 100MΩ MIN. MEASURED BY 500 VDC
- MECHANICAL CHARACTERISTICS:
 - 2-1. INSERTION FORCE :3.0KGF Max.
 - 2-2. WITHDRAWAL FORCE : 0.4~3.0 KGF
- LIFE TEST: 5,000 CYCLES MIN.
- MEASURING CONDITION:
 - TEMPERATURE: FROM 5°C TO 35°C.
 - RELATIVE HUMIDITY: FROM 40% TO 85%.
- OTHER SPEC. REFER TO "DC POWER JACK GENERAL SPEC.
- TO CONFORM TO THE SINGATRON HAZARDOUS SUBSTANCE FREE SPEC.
- HALOGEN FREE PRODUCT IDENTIFICATION MARK ON PRODUCT:
- HALOGEN FREE PRODUCT IDENTIFICATION LABEL ON PACKAGING:
- FOR IR Reflow LEAD-FREE PROCESS.
- D/C DESCRIPTION:



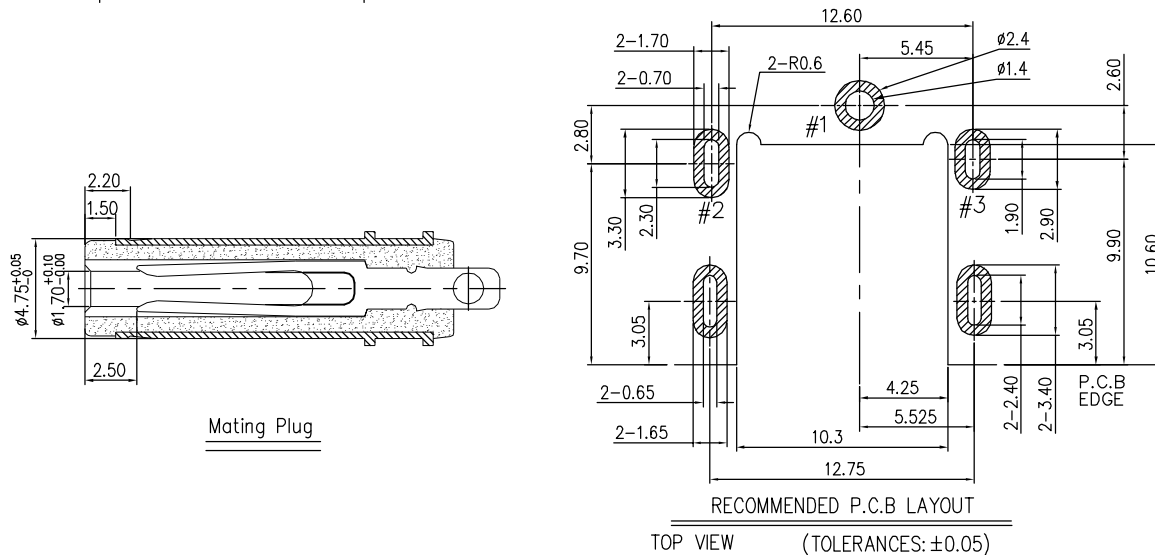
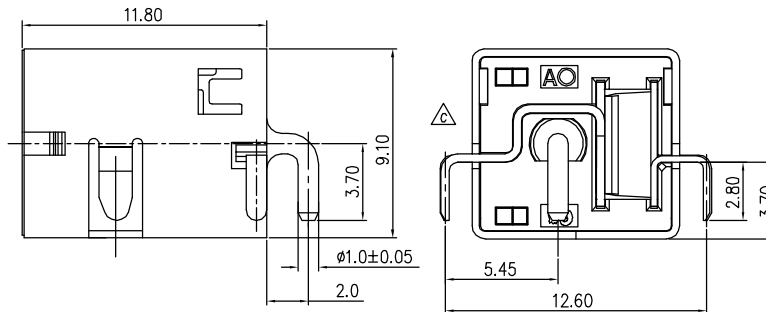
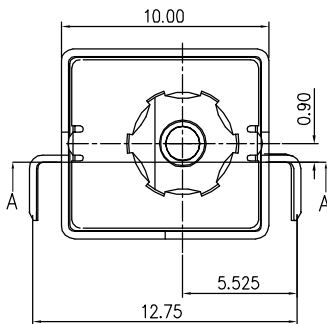
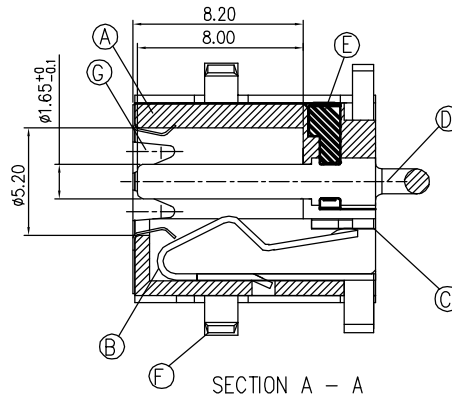
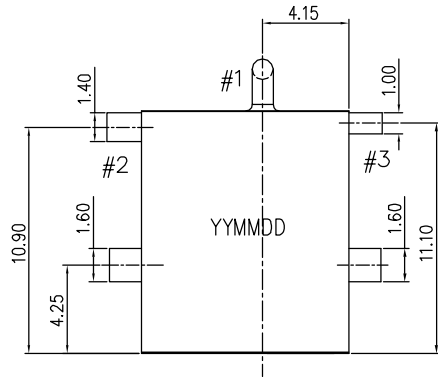
NO	DESCRIPTION	QTY	MATERIAL	PLATING & COLOR
G	GROUND	1	SUS 0.1t	N/A
F	SHIELD	1	COPPER ALLOY 0.35t	Ni 60u" Min. 可牌線
E	TERMINAL	1	HIGH TEMP. THERMPLASTIC	BLACK
D	CONTACT PIN	1	COPPER ALLOY $\phi 1.65$	Gold flash, Ni 底 50u" Min
C	SHUNT TERMINAL	1	COPPER ALLOY 0.4t	Ag PLATING 0.5um Min
B	TIP SPRING	1	COPPER ALLOY 0.3t	Ag 20u" Min, Ni 底 20u" Min
A	BODY	1	HIGH TEMP. THERMPLASTIC UL94V-0	BLACK

UNLESS OTHERWISE SPECIFIED TOLERANCES

Singatron Enterprise Co., Ltd.
信音企業股份有限公司

DECIMALS:	ANGLES:	TITLE	DC JACK	
X : ±0.5	X : ±2°	DWN	Xuehua	PART NO. 2DC-G128-Q07F
XX : ±0.3	XX : ±1°	CHKD	Lussen	SCALE 1:1 UNIT: mm
XXX : ±0.2		APVD	Liao	SIZE: A3 SHEET: 10F2 REV: C

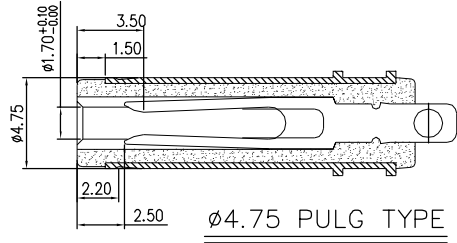
CUSTOMER COPY



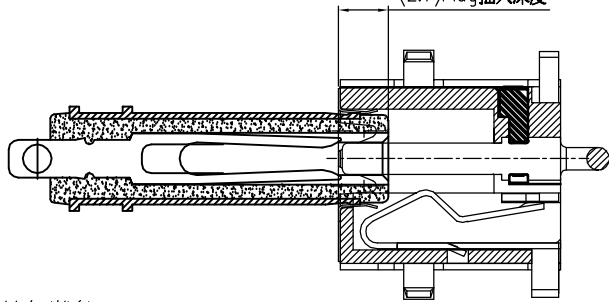
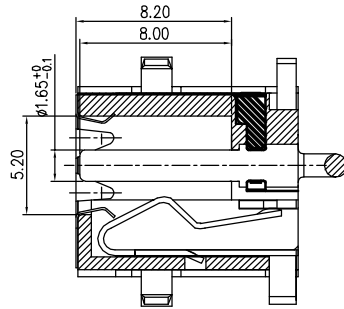
Mating Plug

RECOMMENDED P.C.B LAYOUT
TOP VIEW (TOLERANCES: ±0.05)

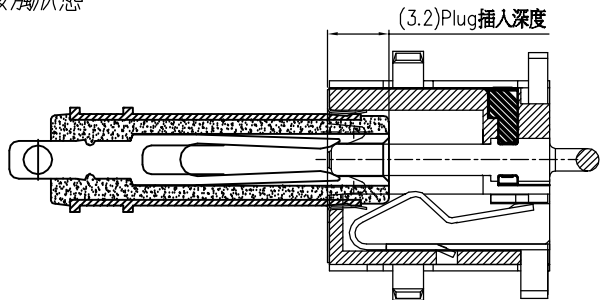
REV.	ECN NO OR DESCRIPTION	REVISED	DATE
A	PDR No.: T170112-4A	YUREN	2017.08.01
B	ECN No.: S180714-Q Δ	KEN	2018.12.28
C	ECN No.: S202108-E02	Xuehua	2021.8.5



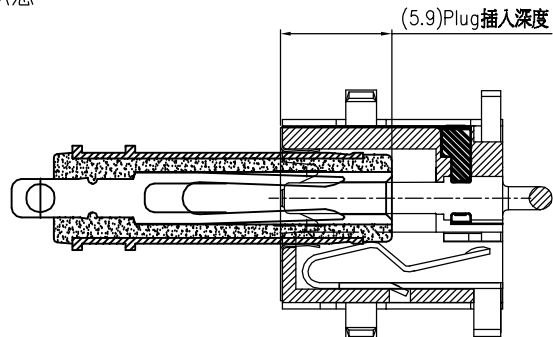
1. GROUND 接觸狀態



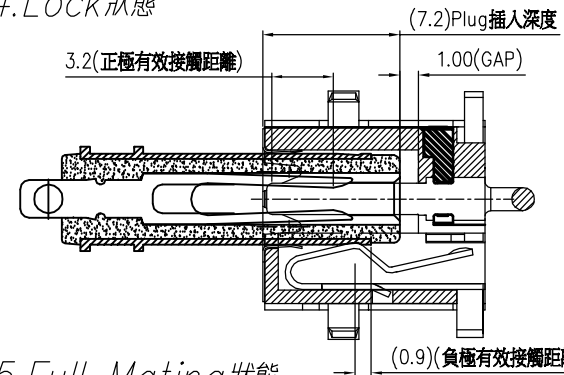
2. 正極接觸狀態



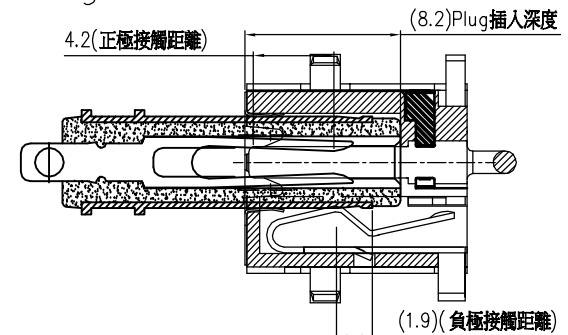
3. 負極接觸狀態



4. Lock 狀態



5. Full Mating 狀態



NO	DESCRIPTION	QTY	MATERIAL	PLATING & COLOR
UNLESS OTHERWISE SPECIFIED TOLERANCES			Singatron Enterprise Co., Ltd. 信音企業股份有限公司	
DECIMALS: ANGLES:		TITLE DC POWER JACK MATING DRAWING		
X : ±0.5	X : ±2°	DWN	Xuehua	PART NO. 2DC-G128-Q07F
X.X : ±0.3	X.X : ±1°	CHKD	Lussen	SCALE 1:1 UNIT: mm
X.XX : ±0.2		APVD	Liao	SIZE: A3 SHEET: 2 OF 2 REV:B
CUSTOMER COPY				