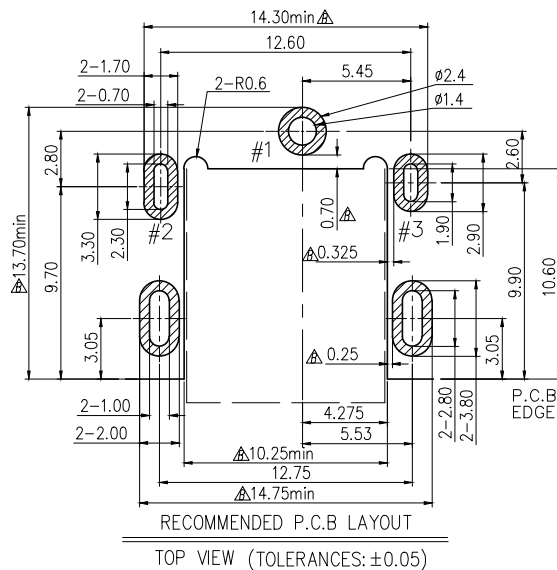
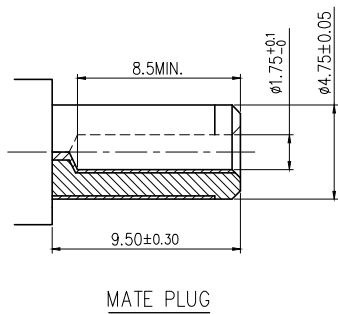
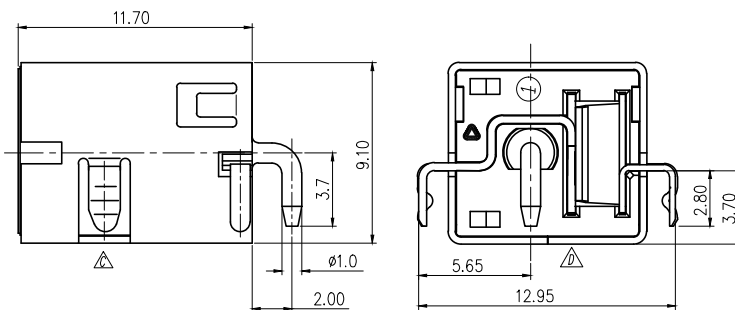
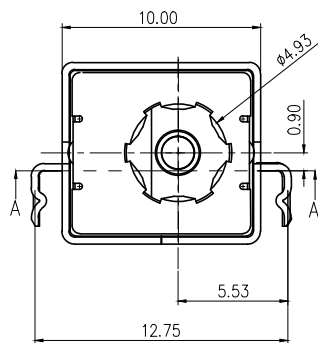
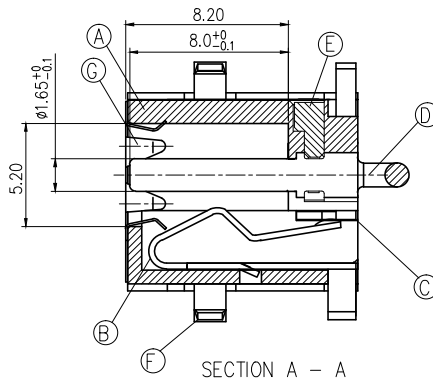
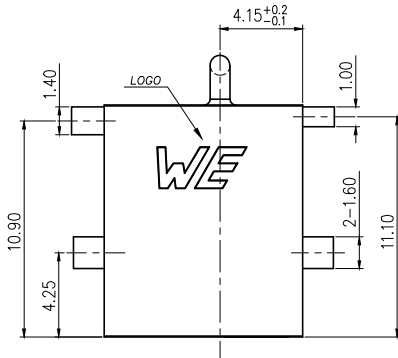
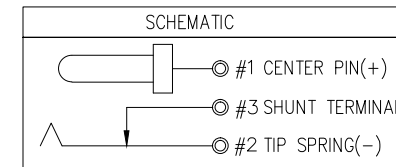


REV.	ECN NO OR DESCRIPTION	REVISED	DATE
A	PRODUCT RELEASE	CAOCHEN	2014.07.16
B	ECN:C150040,ADD DIMENSION	CAOCHEN	2015.03.16
C	ECN:C150161,2D Modification	BILL	2015.10.10
D	ECN:S180714-Q $\Delta$	KEN	2018.12.28



SPECIFICATIONS:

- ELECTRICAL CHARACTERISTICS:
  - RATING: DC 20V 5.5A
  - CONTACT RESISTANCE: 30m $\Omega$  MAX.(INITIAL) 60m $\Omega$  MAX.(FINAL)
  - DIELECTRIC WITHSTANDING VOLTAGE: 500V AC FOR ONE MINUTE.
  - INSULATION RESISTANCE: 100M $\Omega$  MIN. MEASURED BY 500 VDC
- MECHANICAL CHARACTERISTICS:
  - INSERTION FORCE : 0.5~2.0 KGF
  - WITHDRAWAL FORCE : 0.4~2.0 KGF
- LIFE TEST: 5,000 CYCLES.
- MEASURING CONDITION:
  - TEMPERATURE: FROM 5°C TO 35°C.
  - RELATIVE HUMIDITY: FROM 40% TO 85%.
- OTHER GENERAL SPEC. TO REFER "2DC-G128 SERIES SPEC".
- GREEN PRODUCT IDENTIFICATION MARK ON JACK:  $\Delta$
- GREEN PRODUCT IDENTIFICATION LABEL ON PACKAGING: **G.P. PASS**
- FOR LEAD-FREE PROCESS.



NO	DESCRIPTION	QTY	MATERIAL	PLATING & COLOR
G	GROUND	1	STEEL 0.1t	N/A
F	SHIELD	1	COPPER ALLOY 0.35t	Ni PLATING
E	TERMINAL	1	HIGH TEMP. THERMPLASTIC	BLACK COLOR
D	CONTACT PIN	1	COPPER ALLOY $\phi$ 1.65	GOLD FLASH
C	SHUNT TERMINAL	1	COPPER ALLOY 0.4t	Sn PLATING
B	TIP SPRING	1	COPPER ALLOY 0.3t	Sn PLATING
A	BODY	1	PA-9T+30% GF	BLACK COLOR

UNLESS OTHERWISE SPECIFIED TOLERANCES		SINGATRON ENTERPRISE CO., LTD. 信音企業股份有限公司		
DECIMALS:	ANGLES:	TITLE	DC POWER JACK	
X : $\pm$ 0.5	X : $\pm$ 2°	DWN	KEN 18/12/28	PART NO. 2DC-G128I300H
X.X : $\pm$ 0.3	X.X : $\pm$ 1°	CHKD	sky 18/12/28	SCALE 4:1 UNIT: mm
X.XX : $\pm$ 0.2		APVD	fussen 18/12/28	SIZE: A3 SHEET: 10F1 REV: D
<b>CUSTOMER COPY</b>				