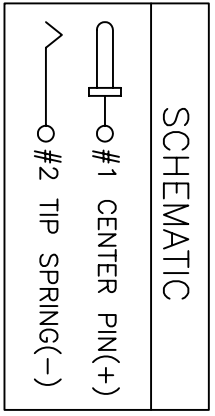
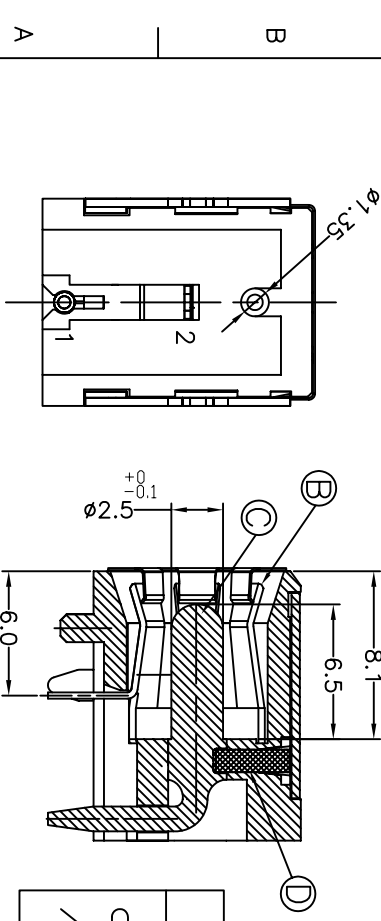
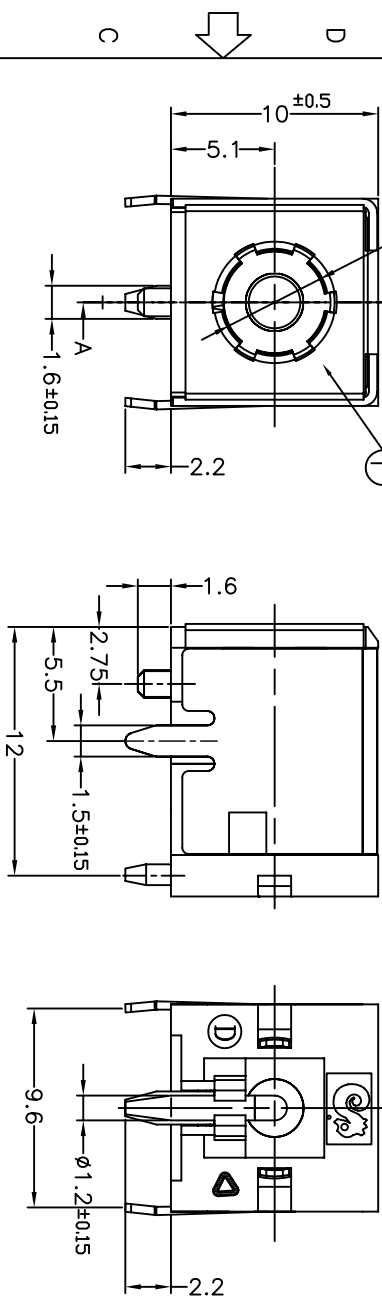
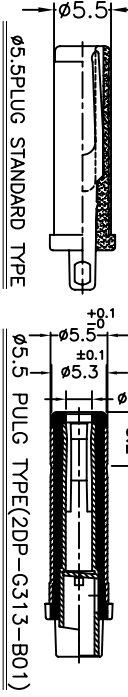
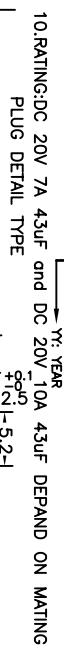


RECOMMEND P.C.B LAYOUT  
 <TOP VIEW> TOLERANCE ±0.05



SPECIFICATIONS:

1. INSERTION FORCE: 3.0KG MAX. WITHDRAWAL FORCE: 1.0KG-3.0KG
2. INSULATION RESISTANCE BETWEEN ANY ADJACENT TERMINALS SHALL NOT BE LESS THAN 100 MEGOHMS BY 500 VOLTS MEGGER.
3. JACK SHALL WITHSTAND 250 VOLTS BETWEEN ANY ADJACENT TERMINAL FOR ONE MINUTE.
4. CONTACT RESISTANCE SHALL NOT EXCEED 30mΩ
5. JACK SHALL WITHSTAND 5,000 CYCLES OF INSERTION AND WITHDRAWAL WITH TESTING PLUG AND CONTACT RESISTANCE SHALL NOT EXCEED 50mΩ
6. MEASURING CONDITION: TEMPERATURE: FROM 5°C TO 35°C. RELATIVE HUMIDITY: FROM 40% TO 85%.
7. ENVIRONMENTAL SPECIFICATIONS:
  - 7.1 HUMIDITY TEST: HUMIDITY 90% TO 95% TEMPERATURE 40°C ±2°C FOR 96 HOURS.
  - 7.2 HEAT TEST: TEMPERATURE 70°C ± 2°C (HUMIDITY BELOW 50%) FOR 96 HOURS.
  - 7.3 COLD TEST: TEMPERATURE -40°C ± 2°C FOR 96 HOURS.
8. PACKING: TAPE & REEL
9. PRINTED DATE CODE "YMMD" ON TOP OF CONNECTOR.



10. RATING: DC 20V 7A 43uF and DC 20V 10A 43uF DEPEND ON MATING PLUG DETAIL TYPE
11. TO CONFORM TO SINGATRON HAZARDOUS SUBSTANCE FREE SPEC
12. GREEN PRODUCT IDENTIFICATION MARK ON JACK:
13. GREEN PRODUCT IDENTIFICATION LABEL ON PACKAGING:
14. FOR LEAD FREE PROCESS.

F	GROUND	1	SUS 304 0.15t	N/A
E	SHELL	1	SPCC-SD 0.4t	NI 60u" Mfm.(N4)
D	STOPPER	1	HIGH TEMP THERMOPLASTIC UL94V-0	BLACK
C	PIN	1	HBI59-1.5B	Ag 20u" Min.
B	SPRING	1	COPPER ALLOY 0.3t	Sn 60u"Min, Ni 60u"Min.
A	BODY	1	HIGH TEMP THERMOPLASTIC UL94V-0	BLACK
NO	DESCRIPTION	QTY	MATERIAL	PLATING & COLOR

UNLESS OTHERWISE SPECIFIED TOLERANCES

DECIMALS:	ANGLES:
X : ±0.5	X : ±2°
XX : ±0.3	XX : ±1°
XXX : ±0.2	

Singatron Enterprise Co., Ltd.  
 信音企業股份有限公司

DC POWER JACK

TITLE	PART NO. 2DC-G213-B03
DWN	DATE: 2008.11.24
CHKD	SCALE: 4:1
APVD	UNIT: mm
	SIZE: A3
	SHEET: 1 OF 1
	REV: M

CUSTOMER COPY