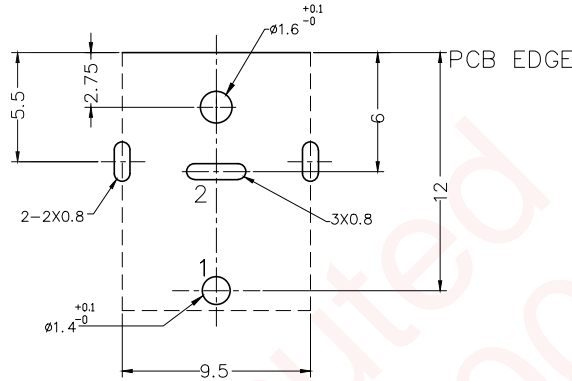
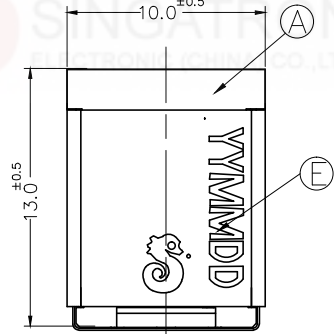
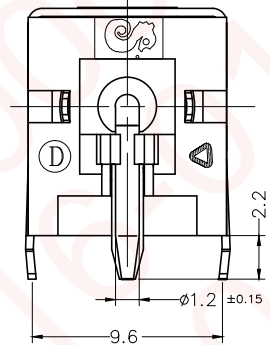
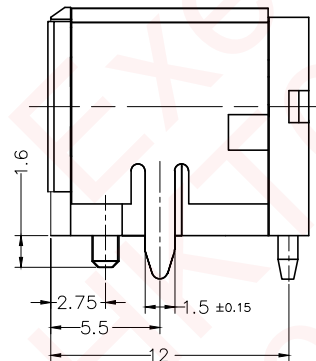
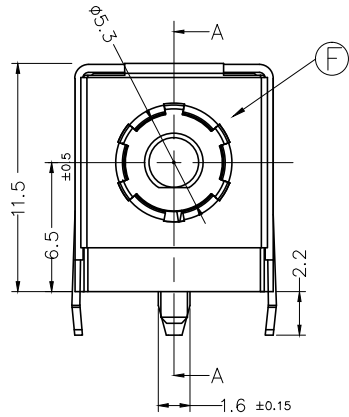


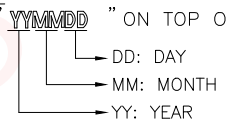
REV.	ECN NO OR DESCRIPTION	REVISED	DATE
G	ECN NO: S081005	BOYE	2008.11.24
H	ECN NO: S150941-E	YUREN	2015.12.11



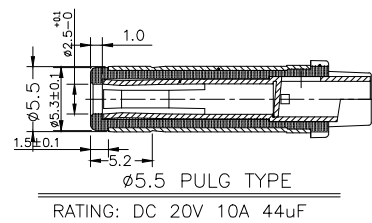
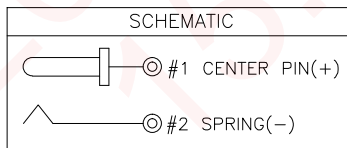
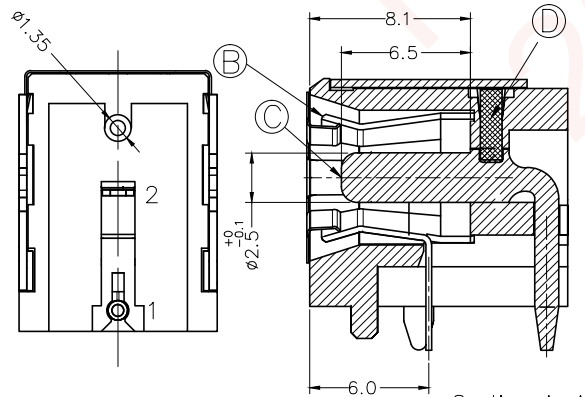
RECOMMENDED P.C.B LAYOUT  
TOP VIEW (TOLERANCE: ±0.05)



- SPECIFICATIONS:
- RATING: DC 20V 10A 44uF
  - INSERTION FORCE: 3.0Kg MAX.  
WITHDRAWAL FORCE: 1.0Kg~3.0Kg
  - INSULATION RESISTANCE BETWEEN ANY ADJACENT TERMINALS SHALL NOT BE LESS THAN 100 MEGOHMS BY 500 VOLTS MEGGER.
  - JACK SHALL WITHSTAND 250 VOLTS BETWEEN ANY ADJACENT TERMINAL FOR ONE MINUTE.
  - CONTACT RESISTANCE (INITIAL) SHALL NOT EXCEED 30mΩ  
CONTACT RESISTANCE (AFTER LIFE TEST) SHALL NOT EXCEED 50mΩ
  - MEASURING CONDITION:  
TEMPERATURE: FROM 5°C TO 35°C.  
RELATIVE HUMIDITY: FROM 40% TO 85%.
  - ENVIRONMENTAL SPECIFICATIONS:
    - HUMIDITY TEST: HUMIDITY 90% TO 95% TEMPERATURE 40°C ±2°C FOR 96 HOURS.
    - HEAT TEST: TEMPERATURE 70°C ± 2°C (HUMIDITY BELOW 50%) FOR 96 HOURS.
    - COLD TEST: TEMPERATURE -40°C ± 2°C FOR 96 HOURS.
  - PACKING: TAPE&REEL
  - PRINTED DATE CODE "YMMDD" ON TOP OF CONNECTOR.



- RATING: DC 20V 10A 44uF DEPEND ON MATING PLUG DETAIL TYPE
- TO CONFORM TO THE SINGATRON HAZARDOUS SUBSTANCE FREE SPECIFICATION
- GREEN PRODUCT IDENTIFICATION MARK ON JACK:
- GREEN PRODUCT IDENTIFICATION LABEL ON PACKAGING: **G.P. PASS**



F	GROUND	1	SUS 304 0.15t	N/A
E	SHELL	1	SPCC-SD 0.4t	NI 60u" Mim.(N4)
D	STOPPER	1	HIGH TEMP.THERMOPLASTIC UL94V-0	NATURE
C	PIN	1	HBI59-1.5B	Ag 20u" Min.
B	SPRING	1	COPPER ALLOY 0.3t	Sn 60u"Min,Ni 60u"Min.
A	BODY	1	HIGH TEMP.THERMOPLASTIC UL94V-0	BLACK
NO	DESCRIPTION	QTY	MATERIAL	PLATING & COLOR

UNLESS OTHERWISE SPECIFIED TOLERANCES		Singatron Enterprise Co., Ltd. 信音企業股份有限公司	
DECIMALS:		TITLE	
X :±0.5	X :±2'	DWN	YUREN
X.X :±0.3	X.X :±1'	CHKD	CERRY
X.XX :±0.2		APVD	LIAO
		<b>DC POWER JACK</b> <b>PART NO. 2DC-G213-B07</b>	
		SCALE:4:1	UNIT: mm
		SIZE: A3	SHEET:1 OF 1
		REV:H	
<b>CUSTOMER COPY</b>			