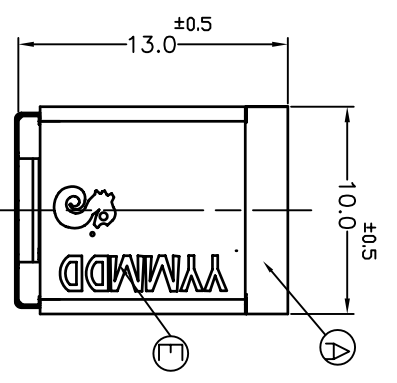
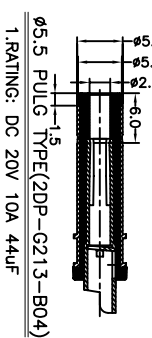
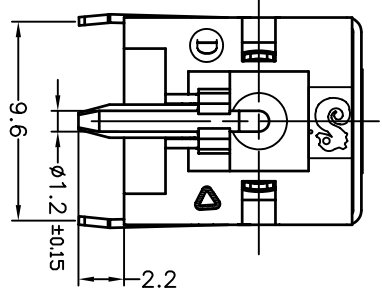
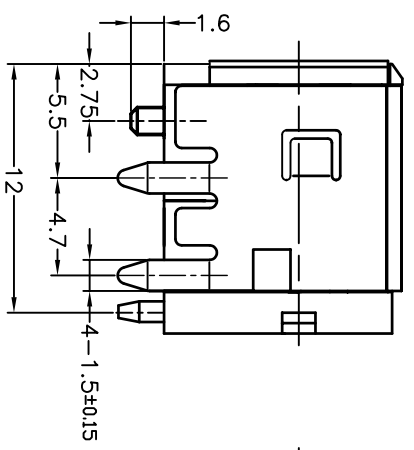
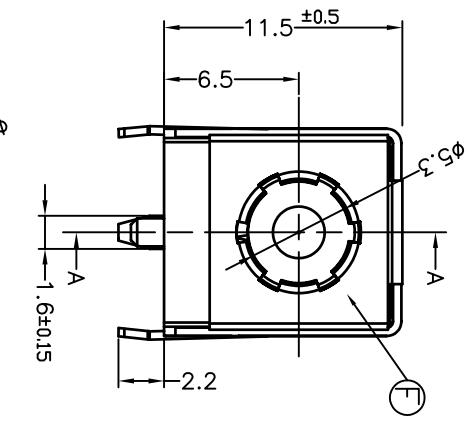
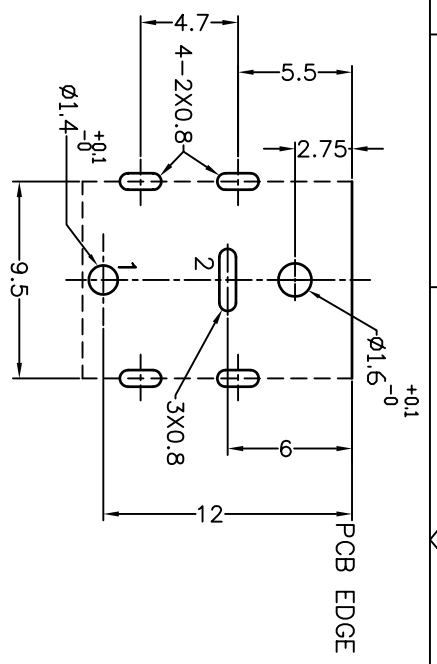


REV.	ECN NO OR DESCRIPTION	REVISED	DATE
E	ECN NO: S081005	BOYE	2008.11.24

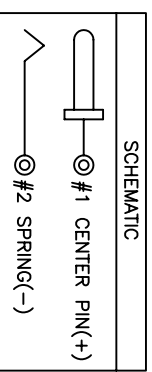
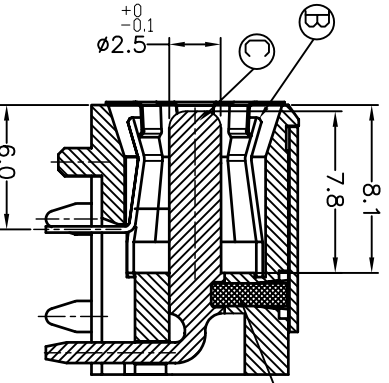
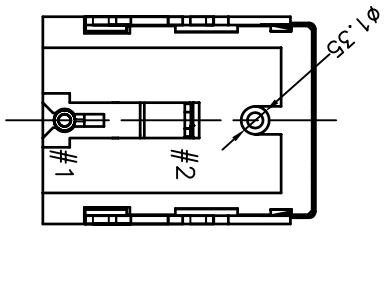


RECOMMENDED P.C.B LAYOUT
TOP VIEW(TOLERANCE: ±0.05)



05.5 PULG TYPE(ZDP-G213-B04)
1. RATING: DC 20V 10A 44uF

10. RATING: DC 20V 10A 44uF DEPEND ON MATING PLUG DETAIL TYPE
11. TO CONFORM TO THE SINGATRON HAZARDOUS SUBSTANCE FREE SPECIFICATION
12. GREEN PRODUCT IDENTIFICATION MARK ON JACK
13. GREEN PRODUCT IDENTIFICATION LABEL ON PACKAGING: **G.P. PASS**
14. FOR LEAD FREE PROCESS.
1. RATING: DC 20V 10A 44uF
2. INSERTION FORCE: 3kg MAX.
3. INSULATION RESISTANCE BETWEEN ANY ADJACENT TERMINALS SHALL NOT BE LESS THAN 100 MEGOHMS BY 500 VOLTS MEGGER.
4. JACK SHALL WITHSTAND 250 VOLTS BETWEEN ANY ADJACENT TERMINAL FOR ONE MINUTE.
5. CONTACT RESISTANCE (INITIAL) SHALL NOT EXCEED 30mΩ
6. CONTACT RESISTANCE (AFTER LIFE TEST) SHALL NOT EXCEED 50mΩ
7. ENVIRONMENTAL SPECIFICATIONS:
- 7.1 HUMIDITY TEST: HUMIDITY 90% TO 95% TEMPERATURE 40°C ±2°C FOR 96 HOURS.
 - 7.2 HEAT TEST: TEMPERATURE 70°C ± 2°C (HUMIDITY BELOW 50%) FOR 96 HOURS.
 - 7.3 COLD TEST: TEMPERATURE -40°C ± 2°C FOR 96 HOURS.
8. PACKING: TAPE&REEL
9. PRINTED DATE CODE: "YMMDD" ON TOP OF CONNECTOR.



F	GROUND	1	SUS 304 0.15t	N/A
E <td>SHELL</td> <td>1</td> <td>SPCC-SD 0.4t</td> <td>NI 60u" Min.(N4)</td>	SHELL	1	SPCC-SD 0.4t	NI 60u" Min.(N4)
D <td>STOPPER</td> <td>1</td> <td>HIGH TEMP.THERMOPLASTIC US94V-0</td> <td>BLACK</td>	STOPPER	1	HIGH TEMP.THERMOPLASTIC US94V-0	BLACK
C <td>PIN</td> <td>1</td> <td>HBI59-1.5B</td> <td>9g 20u" Min.</td>	PIN	1	HBI59-1.5B	9g 20u" Min.
B <td>SPRING</td> <td>1</td> <td>COPPER ALLOY 0.3t</td> <td>Sn 60u"Min, Ni 60u"Min.</td>	SPRING	1	COPPER ALLOY 0.3t	Sn 60u"Min, Ni 60u"Min.
A <td>BODY</td> <td>1</td> <td>HIGH TEMP.THERMOPLASTIC US94V-0</td> <td>BLACK</td>	BODY	1	HIGH TEMP.THERMOPLASTIC US94V-0	BLACK

UNLESS OTHERWISE SPECIFIED TOLERANCES

DECIMALS: ANGLES:

X :±0.5 X :±2
X.X :±0.3 X.X :±1'
X.XX :±0.2

DC POWER JACK

DWN B0E 2008.11.24 PART NO. 2DC-G213-B34
CHKD Date: 2008.11.20 SCALE: 4:1 UNIT: mm
APVD Max SIZE: A3 SHEET: 1 OF 1 REV: E

Singatron Enterprise Co., Ltd.
信登企業股份有限公司

CUSTOMER COPY

