

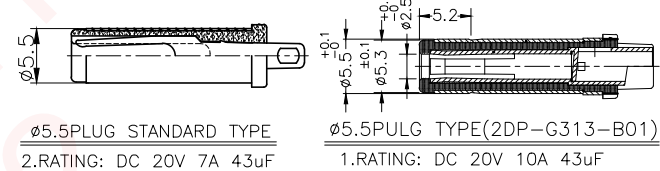
REV.	ECN NO OR DESCRIPTION	REVISED	DATE
G	ECR NO: S100922	ANDY	2010.09.20
H	ECN NO: S150320-Q	YUREN	2015.05.22
I	ECN NO: S150941-E	YUREN	2015.12.11

SPECIFICATIONS:

- 1.INSERTION FORCE: 3.0KG MAX.
WITHDRAWAL FORCE: 1.0KG-3.0KG
- 2.INSULATION RESISTANCE BETWEEN ANY ADJACENT TERMINALS SHALL NOT BE LESS THAN 100 MEGOHMS BY 500 VOLTS MEGGER.
- 3.JACK SHALL WITHSTAND 250 VOLTS BETWEEN ANY ADJACENT TERMINAL FOR ONE MINUTE.
- 4.CONTACT RESISTANCE SHALL NOT EXCEED 30mΩ
- 5.JACK SHALL WITHSTAND 5,000 CYCLES OF INSERTION AND WITHDRAWAL WITH TESTING PLUG,AND CONTACT RESISTANCE SHALL NOT EXCEED 50mΩ
- 6.MEASURING CONDITION:
TEMPERATURE: FROM 5°C TO 35°C.
RELATIVE HUMIDITY: FROM 40% TO 85%.
- 7.ENVIRONMENTAL SPECIFICATIONS:
7.1 HUMIDITY TEST: HUMIDITY 90% TO 95% TEMPERATURE 40°C ±2°C FOR 96 HOURS.
7.2 HEAT TEST: TEMPERATURE 70°C ± 2°C (HUMIDITY BELOW 50%) FOR 96 HOURS.
7.3 COLD TEST: TEMPERATURE -40°C ± 2°C FOR 96 HOURS.
- 8.PACKAGING: TAPE & REEL
- 9.PRINTED DATE CODE" **YYMMDD** " ON TOP OF CONNECTOR.

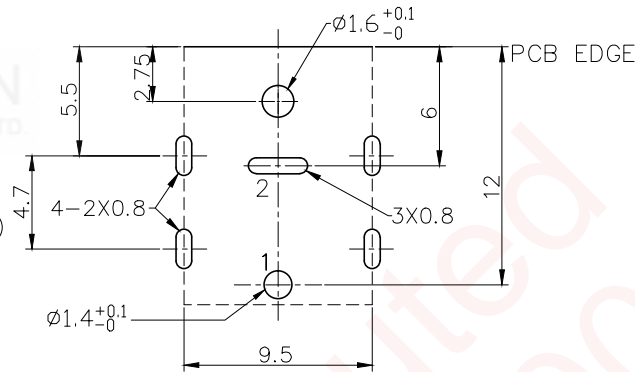
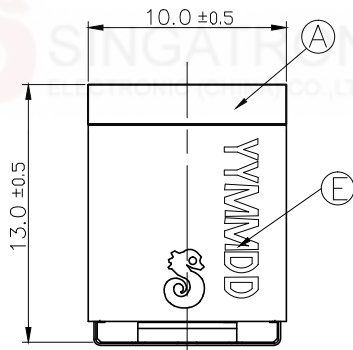
YYMMDD
 DD: DAY
 MM: MONTH
 YY: YEAR

- 10.RATING:DC 20V 7A 43uF and DC 20V 10A 43uF DEPAND ON MATING PLUG DETAIL TYPE
11. SOLDER HEAT RESISTANCE: WAVE SOLDERING 260°C 10 SECS.
- 12.TO CONFORM TO SINGATRON HAZARDOUS SUBSTANCE FREE SPEC
13. GREEN PRODUCT IDENTIFICATION MARK ON JACK:
14. GREEN PRODUCT IDENTIFICATION LABEL ON PACKAGING: **G.P. PASS**
15. FOR WAVE SOLDERING LEAD-FREE PROCESS.



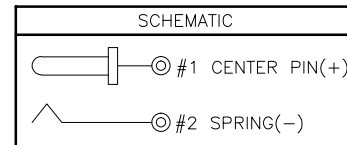
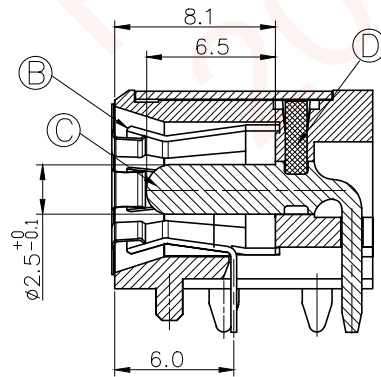
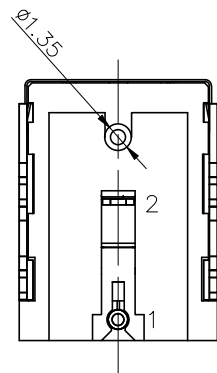
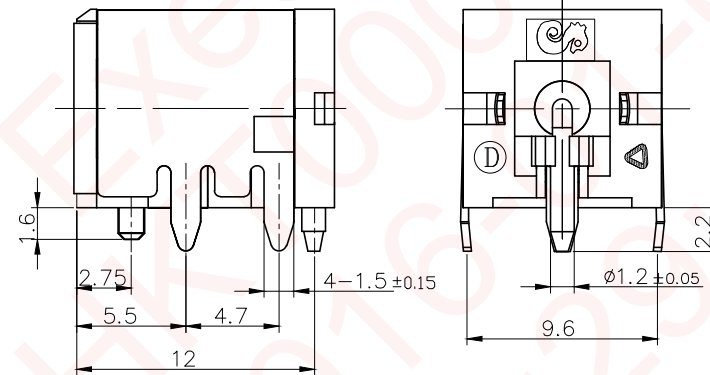
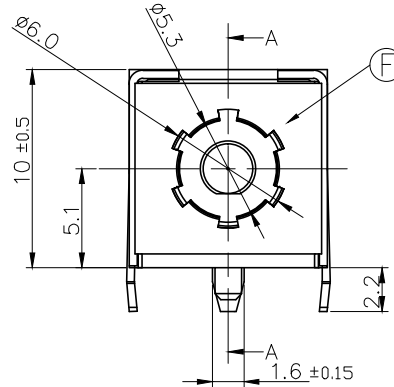
F	GROUND	1	STAINLESS STEEL 0.15t	N/A
E	SHELL	1	SPCC 0.4t	Solderable Ni
D	STOPPER	1	HIGH TEMP.THERMOPLASTIC UL94V-0	NATURE
C	PIN	1	BRASS	GOLD FLASH 1u" Min.
B	SPRING	1	COPPER ALLOY 0.3t	Sn 60u"Min,Ni 60u"Min.
A	BODY	1	HIGH TEMP.THERMOPLASTIC UL94V-0	BLACK

NO	DESCRIPTION	QTY	MATERIAL	PLATING & COLOR
UNLESS OTHERWISE SPECIFIED TOLERANCES				
DECIMALS: ANGLES:				
X	:±0.5	X	:±2°	
X.X	:±0.3	X.X	:±1°	
X.XX	:±0.2			
			TITLE: DC POWER JACK	
			DWN YUREN PART NO. 2DC-G213-B38	
			CHKD CERRY	SCALE:4:1 UNIT: mm
			APVD LIAO	SIZE: A3 SHEET:1 OF 1 REV:I
CUSTOMER COPY				



RECOMMEND P.C.B LAYOUT

<TOP VIEW> TOLERANCE: ±0.05



Section A-A