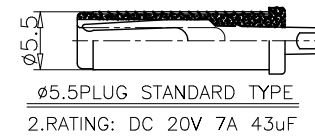


REV.	ECN NO OR DESCRIPTION	REVISED	DATE
B	ECN NO.S080605	Swinda	2008.07.15
C	ECN NO.S080924	Mark-Wang	2008.10.22
D	ECN NO.S120928	SEAN	2013.09.02

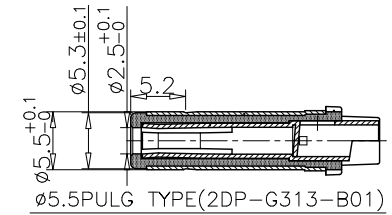
SPECIFICATIONS:

- INSERTION FORCE: 3.0KG MAX.  
WITHDRAWAL FORCE: 1.0KG-3.0KG
- INSULATION RESISTANCE BETWEEN ANY ADJACENT TERMINALS SHALL NOT BE LESS THAN 100 MEGOHMS BY 500 VOLTS MEGGER. JACK SHALL WITHSTAND 250 VOLTS BETWEEN ANY ADJACENT TERMINAL FOR ONE MINUTE.
- CONTACT RESISTANCE SHALL NOT EXCEED 20mΩ
- JACK SHALL WITHSTAND 5,000 CYCLES OF INSERTION AND WITHDRAWAL WITH TESTING PLUG, AND CONTACT RESISTANCE SHALL NOT EXCEED 30mΩ
- MEASURING CONDITION:  
TEMPERATURE: FROM 5°C TO 35°C.  
RELATIVE HUMIDITY: FROM 40% TO 85%.
- ENVIRONMENTAL SPECIFICATIONS:  
7.1 HUMIDITY TEST: HUMIDITY 90% TO 95% TEMPERATURE 40°C ± 2°C FOR 96 HOURS.  
7.2 HEAT TEST: TEMPERATURE 70°C ± 2°C (HUMIDITY BELOW 50%) FOR 96 HOURS.  
7.3 COLD TEST: TEMPERATURE -40°C ± 2°C FOR 96 HOURS.
- PACKAGING: TAPE & REEL
- PRINTED DATE CODE "YYMMDD" ON TOP OF CONNECTOR.
- RATING: DC 20V 7A 43uF and DC 20V 10A 43uF DEPAND ON MATING PLUG DETAIL TYPE
- SOLDER HEAT RESISTANCE: WAVE SOLDERING 260°C 10 SECS.
- TO CONFORM TO SINGATRON HAZARDOUS SUBSTANCE FREE SPEC.
- GREEN PRODUCT IDENTIFICATION MARK ON JACK:
- GREEN PRODUCT IDENTIFICATION LABEL ON PACKAGING:
- FOR WAVE SOLDERING LEAD-FREE PROCESS.

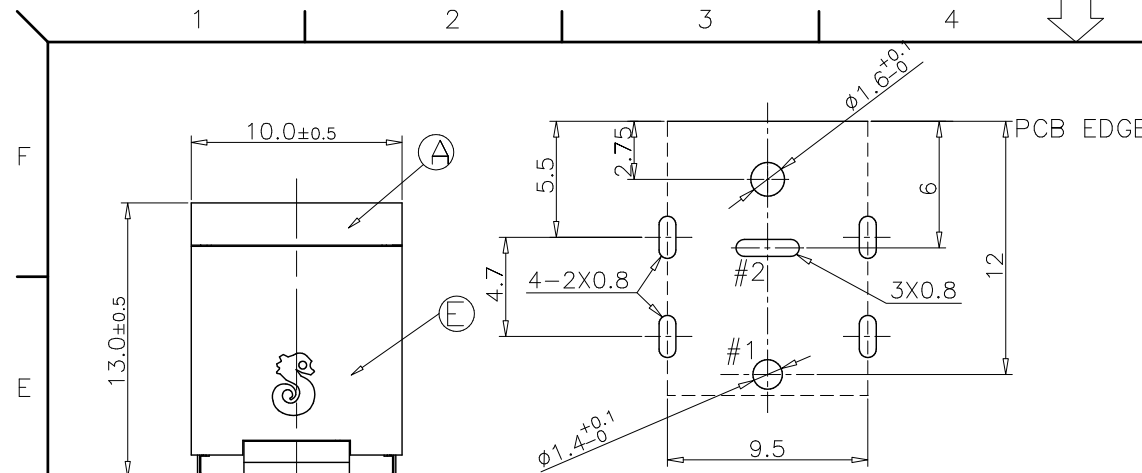
DD: DAY  
MM: MONTH  
YY: YEAR



2.RATING: DC 20V 7A 43uF

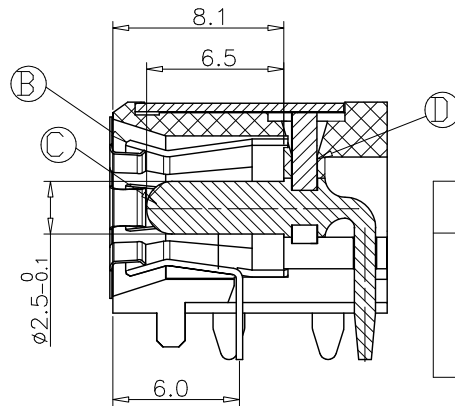
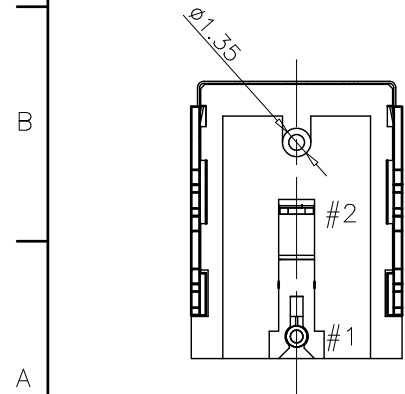
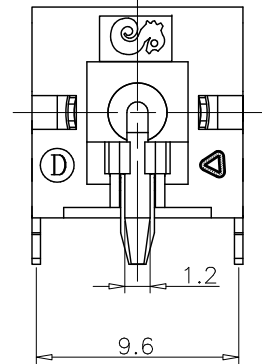
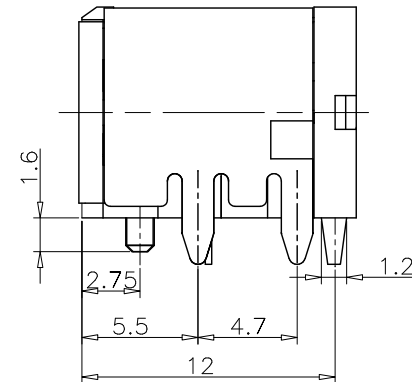
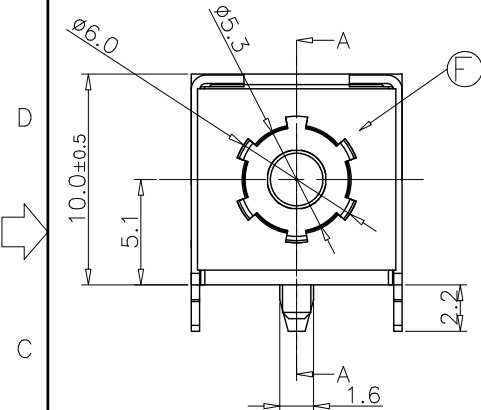


1.RATING: DC 20V 10A 43uF

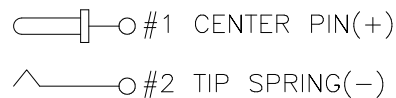


RECOMMEND P.C.B LAYOUT

<TOP VIEW> TOLERANCE ±0.05



SCHEMATIC



Section A-A

F	GROUND	1	STAINLESS 0.1t	N/A
E	SHELL	1	SPCC-SD 0.4t	Ni 60u"MIN
D	TERMINAL	1	HIGH TEMP. THERMOPLASTIC	N/A
C	PIN	1	BRASS BAR	GOLD FLASH Over Ni50u"Min
B	SPRING	1	COPPER ALLOY 0.3t	Sn60u"Min Over Ni60u"Min

A	BODY	1	HIGH TEMP. THERMOPLASTIC UL 94V-0	BLACK
---	------	---	--------------------------------------	-------

NO	DESCRIPTION	QTY	MATERIAL	PLATING & COLOR
UNLESS OTHERWISE SPECIFIED TOLERANCES				
			Singatron Enterprise Co., Ltd. 信音企業股份有限公司	

DECIMALS:	ANGLES:	TITLE	DC POWER JACK		
X :±0.5	X :±2°	DWN	SEAN	PART NO.2DC-G213-B49	
X.X :±0.3	X.X :±1°	CHKD	CERRY	SCALE:4:1	UNIT: mm
X.XX :±0.2		APVD	MAX	SIZE: A3	SHEET: 1 OF 1 REV:D

CUSTOMER COPY