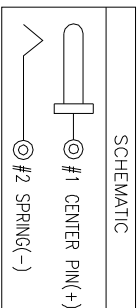
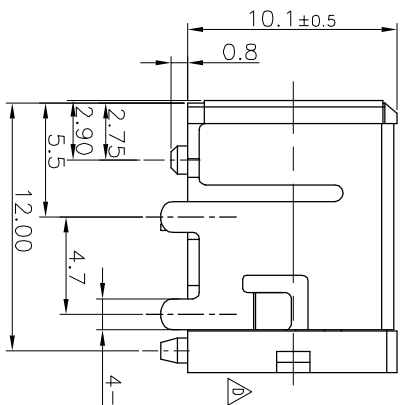
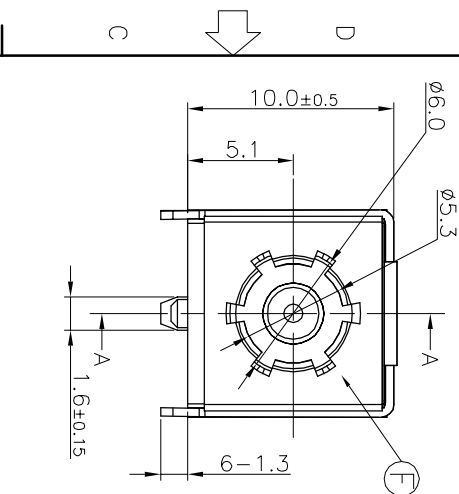


PCB EDGE

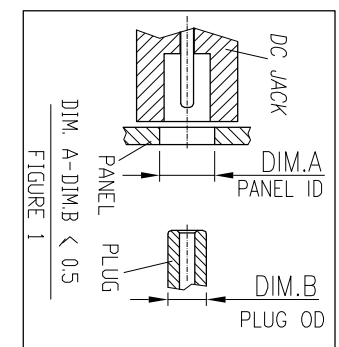
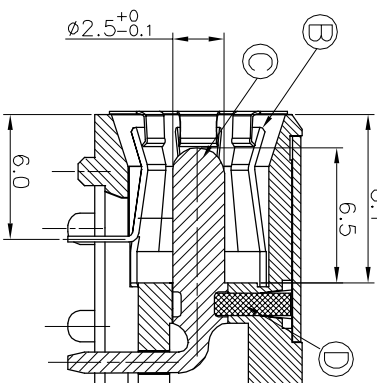
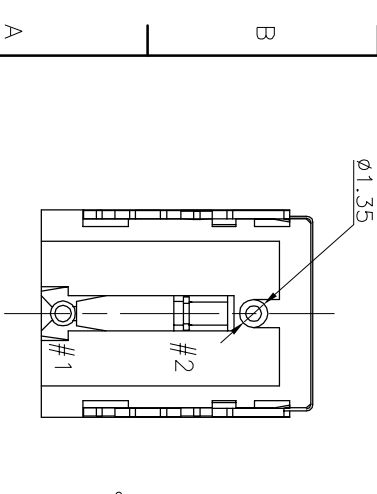


RECOMMENDED P.C.B LAYOUT  
<TOP VIEW> TOLERANCE: ±0.05



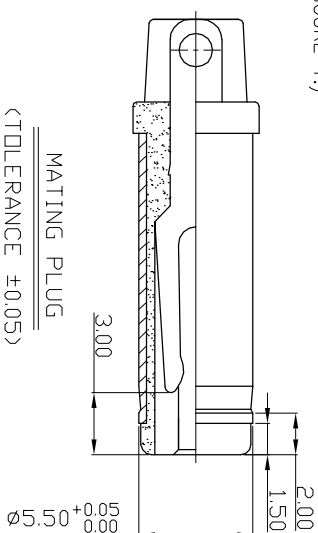
DATE CODE: YYMMDD

DD: DAY  
MM: MONTH  
YY: YEAR



SPECIFICATIONS:

1. ELECTRICAL CHARACTERISTICS:
- 1-1. CONTACT RESISTANCE: 30mΩ MAX. (INITIAL)
  - 1-2. DIELECTRIC WITHSTANDING VOLTAGE: 250V AC FOR ONE MINUTE.
  - 1-3. INSULATION RESISTANCE: 100MΩ MIN. MEASURED BY 500V DC.
2. MECHANICAL CHARACTERISTICS:
- 2-1. INSERTION FORCE: 3.5kgf Max.
  - 2-2. WITHDRAWAL FORCE: 0.5kgf ~ 3.5kgf.
  - 3. LIFE TEST: 5000 CYCLES MIN.
  - 4. OTHER GENERAL SPEC. TO REFER "ZDC-G213 SERIES SPEC".
  - 5. TO CONFORM TO SINGATRON HAZARDOUS SUBSTANCE FREE SPEC.
  - 6. HALOGEN FREE PRODUCT IDENTIFICATION MARK ON JACK:
  - 7. HALOGEN FREE PRODUCT IDENTIFICATION LABEL ON PACKAGING:
  - 8. FOR REFLOW SOLDERING LEAD-FREE PROCESS.
  - 9. PACKAGING: TAPE & REEL
  - 10. THE PANEL'S ID MUST BE GREATER THAN THE PLUG'S OD WHICH MUST HAVE A DIFFERENCE OF LESS THAN OR EQUAL TO 0.5 mm. (AS SHOWN IN FIGURE 1.)



MATING PLUG  
(TOLERANCE ±0.05)

NO	DESCRIPTION	QTY	MATERIAL	PLATING & COLOR
F	GROUND	1	STAINLESS STEEL 0.15t	N/A
E	SHELL	1	SPCC 0.4t	Ni 60u" Min OVER Cu 60u" Min.
D	STOPPER	1	HIGH TEMP.THERMOPLASTIC U94V-0	BLACK
C	PIN	1	BRASS	GOLD FLASH 1u" Min.
B	SPRING	1	COPPER ALLOY 0.3t	Sn 60u" Min, Ni 60u" Min.
A	BODY	1	HIGH TEMP.THERMOPLASTIC U94V-0	BLACK

UNLESS OTHERWISE SPECIFIED TOLERANCES

Singatron Enterprise Co., Ltd.  
信管企業股份有限公司

DC POWER JACK

TITLE	DC POWER JACK
DWG	Boru
CHKD	Ron
APVD	Lussen
PART NO.	ZDC-G213-B73F
SCALE	4:1
UNIT	mm
SIZE	A3
SHEET	1 OF 1
REV	D

CUSTOMER COPY