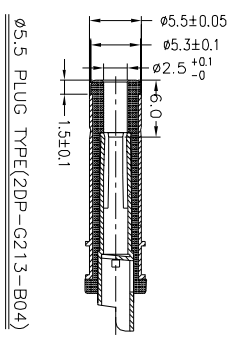
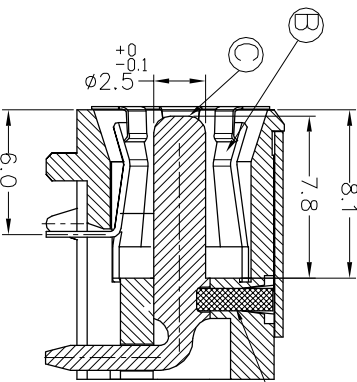
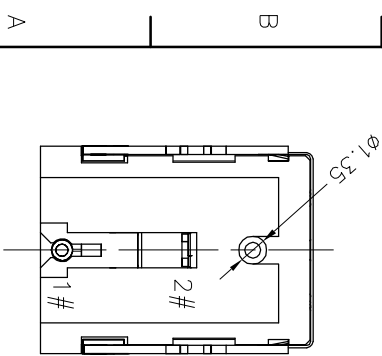
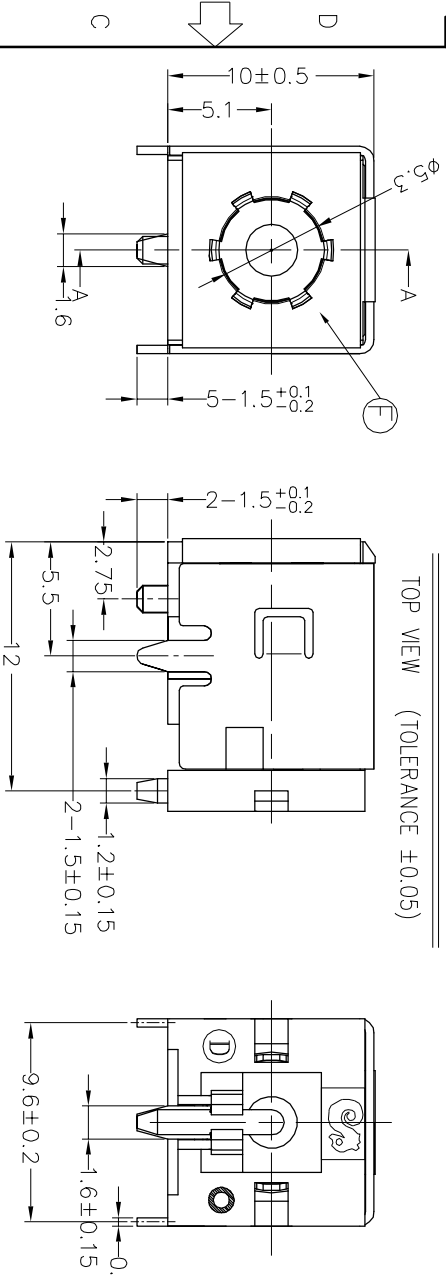
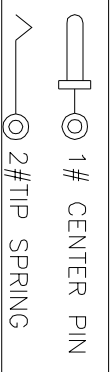


RECOMMEND P.C.B LAYOUT

TOP VIEW (TOLERANCE ±0.05)

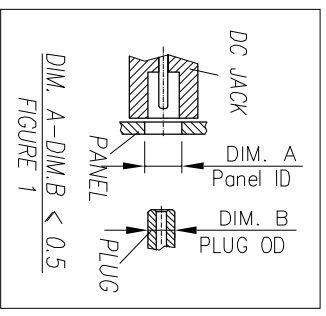


SCHEMATIC



SPECIFICATIONS:

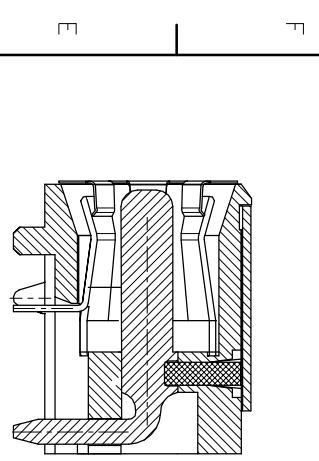
1. ELECTRICAL CHARACTERISTICS:
- 1-1. RATING: DC 20V 10A
 - 1-2. CONTACT RESISTANCE: 30mΩMAX.
 - 1-3. DIELECTRIC WITHSTANDING VOLTAGE: 150V AC FOR ONE MINUTE.
 - 1-4. INSULATION RESISTANCE: 100MΩMIN. MEASURED BY 500 VDC
2. MECHANICAL CHARACTERISTICS:
- 2-1. INSERTION FORCE : 3.0 KGF Max.
 - 2-2. WITHDRAWAL FORCE : 0.3~3.0 KGF .
3. LIFE TEST: 5,000 CYCLES MIN.
4. OTHER GENERAL SPEC. TO REFER "2DC-G213-B79F SPEC".
5. TO CONFORM TO SINGATRON HAZARDOUS SUBSTANCE FREE SPEC.
6. HALOGEN FREE PRODUCT IDENTIFICATION MARK ON PRODUCT:
7. HALOGEN FREE PRODUCT IDENTIFICATION LOGO ON THE PACKAGING:
8. FOR REFLOW SOLDERING LEAD-FREE PROCESS.
9. THE PANEL'S ID MUST BE GREATER THAN THE PLUG'S OD WHICH MUST HAVE A DIFFERENCE OF LESS THAN OR EQUAL TO 0.5 mm (AS SHOWN IN FIGURE 1.)



| | | | | |
|---------------------------------------|-------------|------------------------|---------------------------------|--|
| F | GROUND | 1 | STAINLESS 0.15I | N/A |
| E | SHELL | 1 | SPEC-SD 0.4T | φ#W: 60U Min. OVER Cu 80U Min. |
| D | STOPPER | 1 | HIGH TEMP THERMOPLASTIC UJ94V-0 | BLACK |
| C | PIN | 1 | 2.5φ#B59-1.5B | Ag 20μ Min OVER Ni60 Min. ALI OVER Cu60 Min. |
| B | SPRING | 1 | COPPER ALLOY 0.3I | Sn 60U OVER Ni 60U |
| A | BODY | 1 | PAIOT UJ94V-0 | BLACK |
| NO | DESCRIPTION | QTY | MATERIAL | PLATING & COLOR |
| UNLESS OTHERWISE SPECIFIED TOLERANCES | | | | |
| Singatron Enterprise Co., Ltd. | | | | |
| TITLE DC POWER JACK | | | | |
| DWM | Allen | PART NO. 2DC-G213-B79F | | |
| CHKD | | SCALE: 4:1 | UNIT: mm | |
| APVD | | SIZE: A3 | SHEET: 1 OF 2 | REV: A |
| CUSTOMER COPY | | | | |

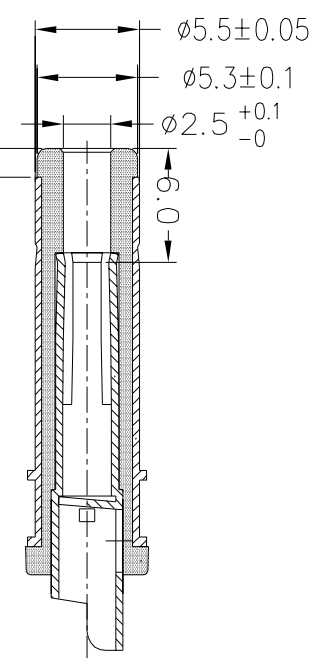
| REV. | ECN NO OR DESCRIPTION | REVISED | DATE |
|------|-----------------------|---------|------------|
| A | PDR NO: T160406-6A | Allen | 2016.10.21 |

| | | | | |
|--------|------------------------|-------------|---------|------------|
| REV. A | ECN NO. OR DESCRIPTION | DESCRIPTION | REVISED | DATE |
| | PDR NO. T160406-6A | Allen | | 2016.10.21 |

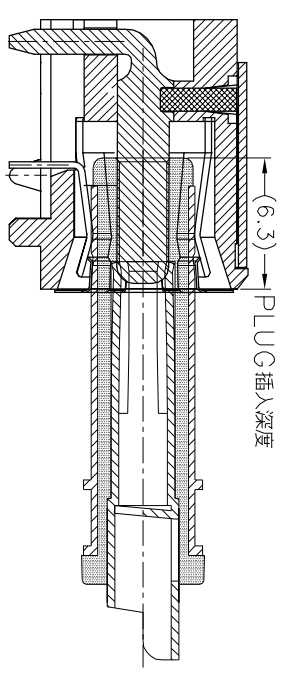


2DC-G213-B79F

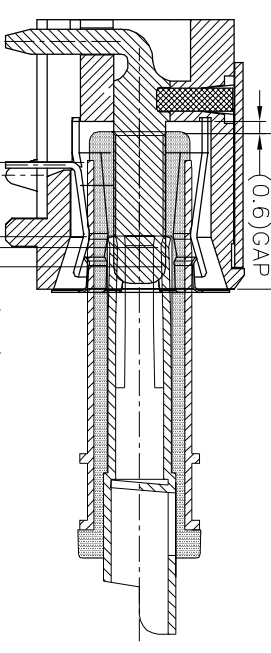
Ø5.5 PLUG TYPE(2Pc-G213-B04)



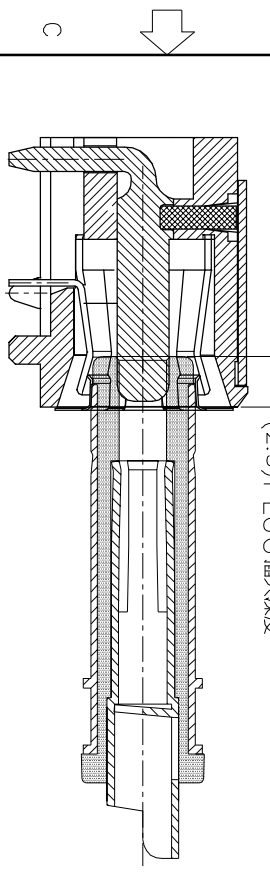
3.正極 (PIN) 接觸狀態



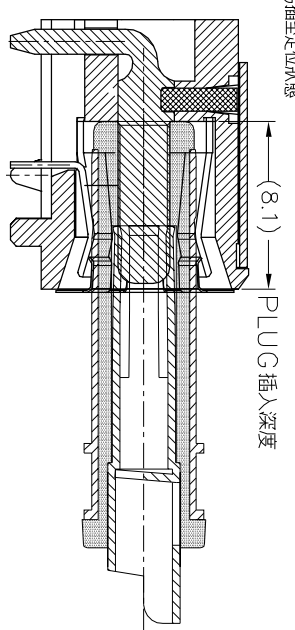
4. LOCK狀態



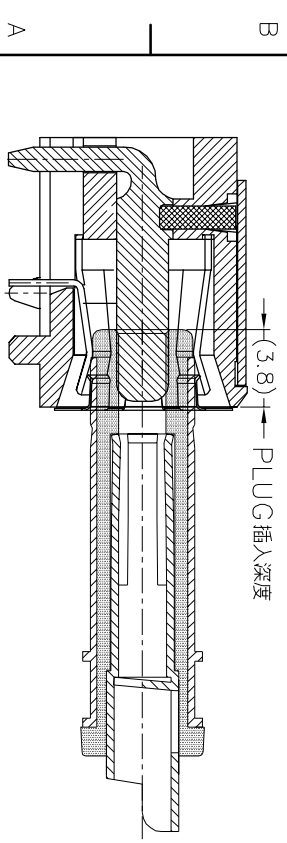
1. GROUND 接觸狀態



5. PLUG 插至定位狀態



2. SPRING (-) 接觸狀態



| | | | | |
|---------------------------------------|-------------|----------|-------------------------|-----------------|
| NO | DESCRIPTION | QTY | MATERIAL | PLATING & COLOR |
| UNLESS OTHERWISE SPECIFIED TOLERANCES | | | | |
| DECIMALS: ANGLES: | | | | |
| X | : ±0.5 | X | : ±2° | |
| XX | : ±0.3 | XX | : ±1° | |
| XXX | : ±0.2 | | | |
| TITLE | MATING | | | |
| DWM | Allen | PART NO. | 2DC-G213-B79F | |
| CHKD | | SCALE: | 4:1 UNIT: mm | |
| APVD | | SIZE: | A3 SHEET: 2 OF 2 REV: 4 | |
| CUSTOMER COPY | | | | |