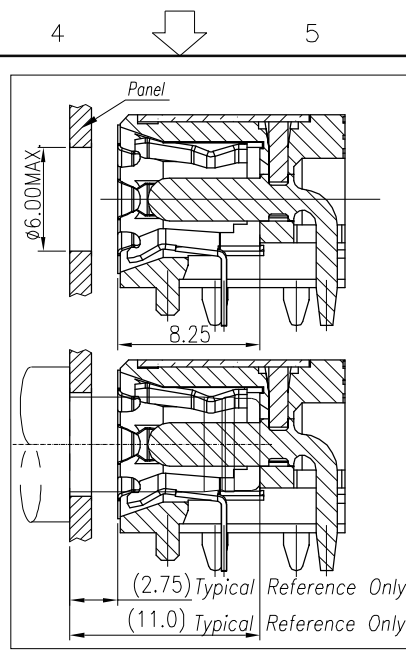


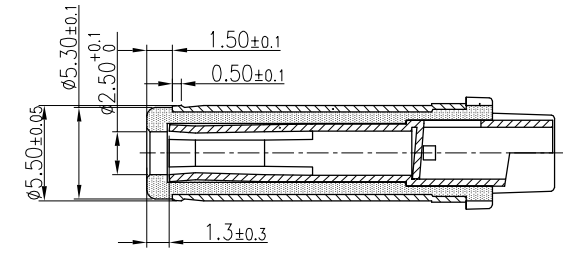
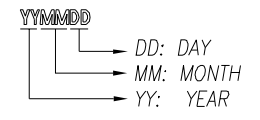
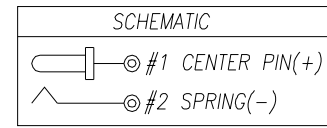
REV.	ECN NO OR DESCRIPTION	REVISED	DATE
A	PDR NO.T160414-3A	Springwu	2018.12.29

SPECIFICATIONS:

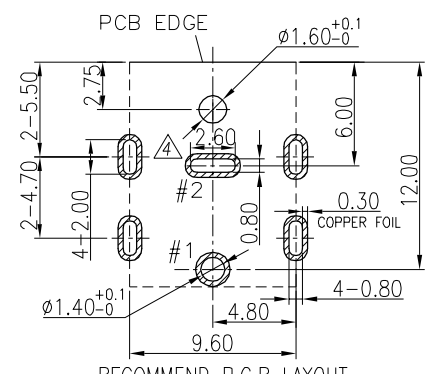
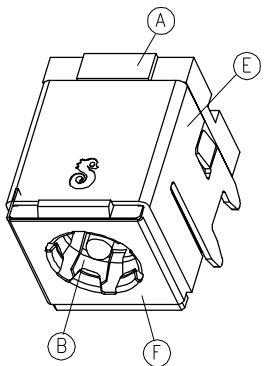
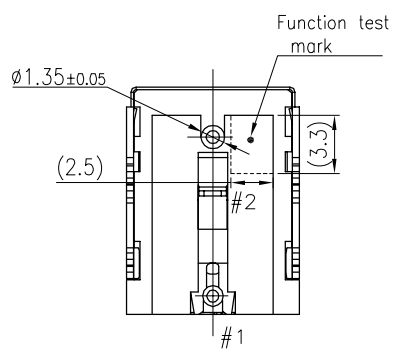
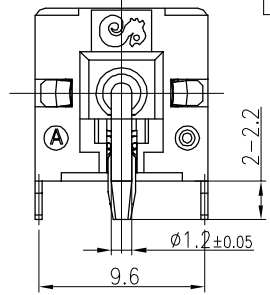
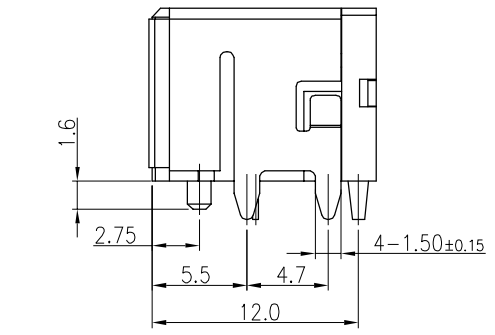
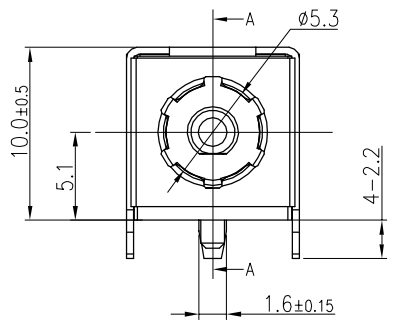
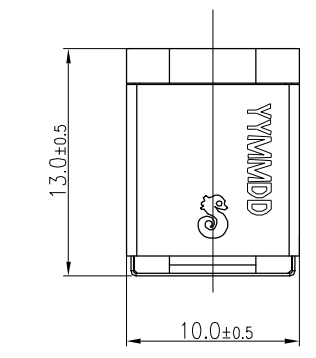
- ELECTRICAL CHARACTERISTICS:
  - RATING: 20V 12A.
  - CONTACT RESISTANCE: 30mΩ MAX.
  - DIELECTRIC WITHSTANDING VOLTAGE: 500V AC FOR ONE MINUTE.
  - INSULATION RESISTANCE: 100MΩ MIN. MEASURED BY 500 VDC
- MECHANICAL CHARACTERISTICS:
  - INSERTION FORCE : 3.5 kg Max.
  - WITHDRAWAL FORCE : 0.5~3.5kg.
- LIFE TEST: 5,000 CYCLES MIN.
- TO CONFORM TO SINGATRON HAZARDOUS SUBSTANCE FREE SPEC.
- OTHER GENERAL SPEC, PLEASE REFER TO "2DC-G213-B80F SPEC."
- HALOGEN FREE PRODUCT IDENTIFICATION MARK ON JACK: ☉
- HALOGEN FREE PRODUCT IDENTIFICATION LABEL ON PACKAGING: 🌐
- FOR IR REFLOW SOLDERING LEAD-FREE PROCESS.
- PRINTED DATE CODE "YYMMDD" ON TOP OF CONNECTOR.



SECTION A-A



MATING PLUG (TOLERANCES:±0.10)



RECOMMEND P.C.B LAYOUT  
TOP VIEW (TOLERANCE ±0.05)

F	GROUND	1	STAINLESS STEEL 0.15T	N/A
E	SHELL	1	SPCC 0.4T	Ni 60u" Mim,Cu 80u"Min
D	STOPPER	1	HIGH TEMP.THERMOPLASTIC UL94V-0	NATURE
C	PIN	1	BRASS	GOLD FLASH OVER Ni 60u"
B	SPRING	1	PHOSPHOR BRONZE 0.3T	MATTE Sn 100u" OVER Ni 60u"Min
A	BODY	1	HIGH TEMP.THERMOPLASTIC UL94V-0	BLACK
NO	DESCRIPTION	QTY	MATERIAL	PLATING & COLOR

UNLESS OTHERWISE SPECIFIED TOLERANCES

Singatron Enterprise Co., Ltd.  
信音企業股份有限公司

DECIMALS:	ANGLES:	TITLE	DC POWER JACK		
X : ±0.5	X : ±2°	DWN	Springwu	PART NO. 2DC-G213-B80F	
XX : ±0.3	XX : ±1°	CHKD	Sky	SCALE:4:1	UNIT: mm
XX.X : ±0.2		APVD	Lussen	SIZE: A3	SHEET: 1 OF 2
					REV:A

CUSTOMER COPY

1

2

3

4

5

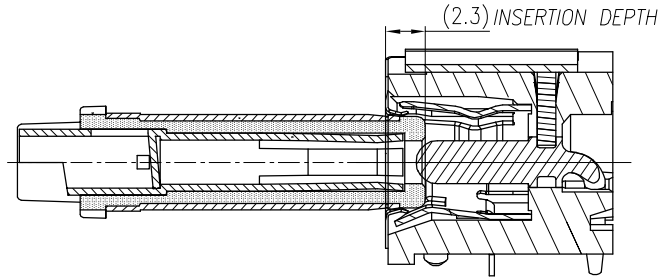
6

7

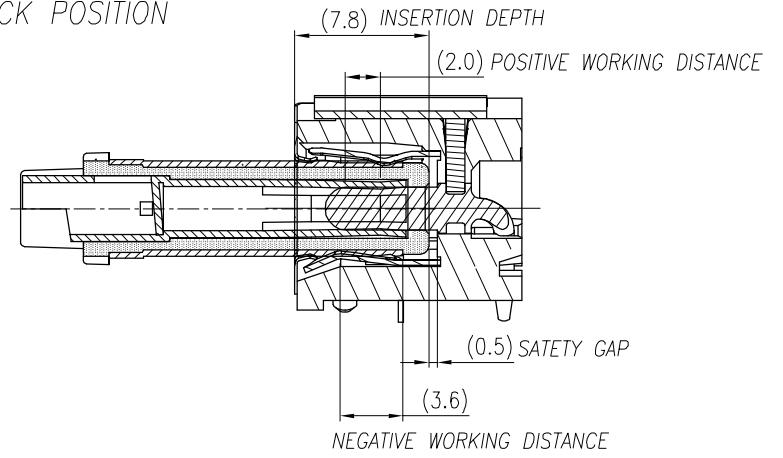
8

REV.	ECN NO OR DESCRIPTION	REVISED	DATE
A	PDR NO.T160414-3A	Springwu	2018.12.29

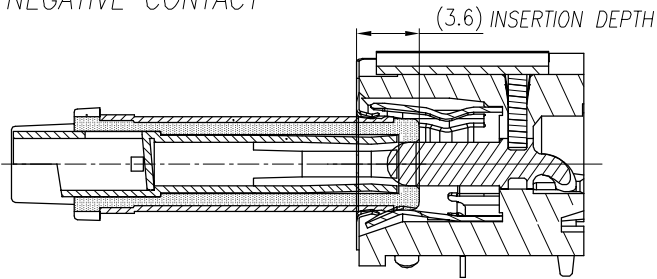
1. GROUNDING CONTACT FIRST



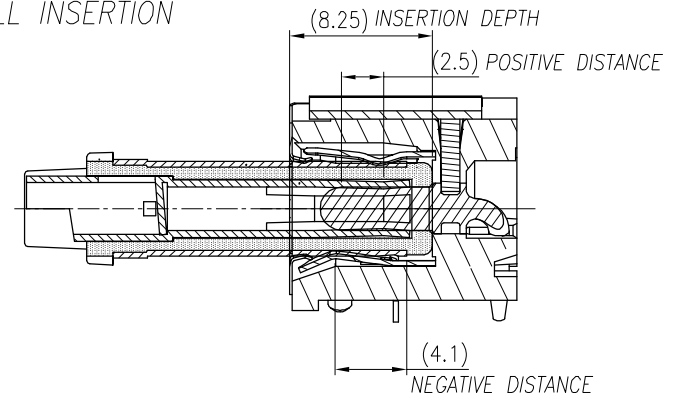
4. LOCK POSITION



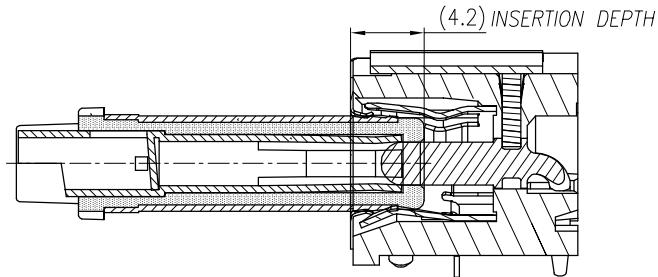
2. NEGATIVE CONTACT



5. FULL INSERTION



3. POSITIVE CONTACT



NO	DESCRIPTION	QTY	MATERIAL	PLATING & COLOR
UNLESS OTHERWISE SPECIFIED TOLERANCES			Singatron Enterprise Co., Ltd. 信音企業股份有限公司	
DECIMALS:	ANGLES:	TITLE	DC POWER JACK	
X :±0.5	X :±2°	DWN	Springwu	PART NO. 2DC-G213-B80F
X.X :±0.3	X.X :±1°	CHKD	Sky	SCALE:4:1 UNIT: mm
X.XX :±0.2		APVD	Lussen	SIZE: A3 SHEET:2 OF 2 REV:A
CUSTOMER COPY				

1

2

3

4

5

6

7

8