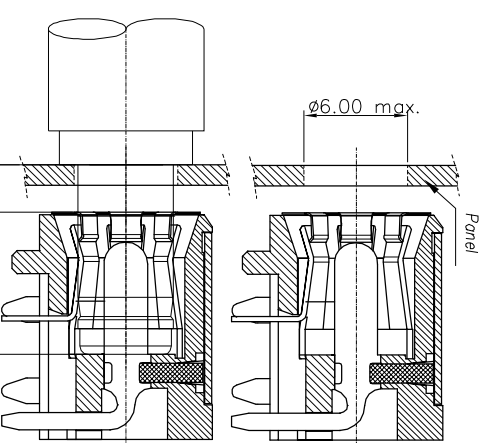
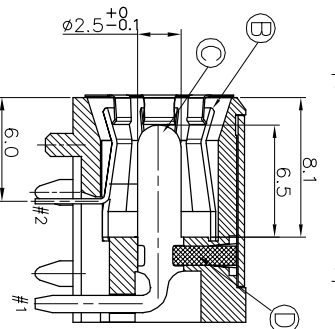
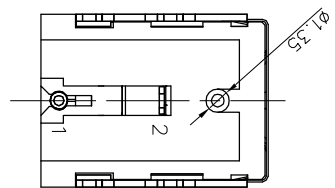
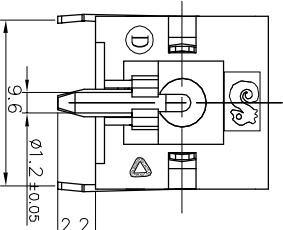
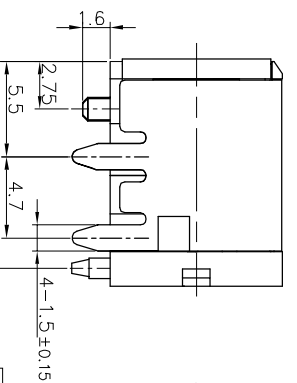
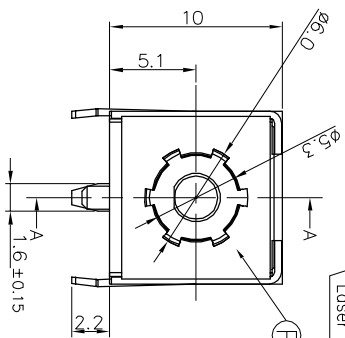


RECOMMEND P.C.B LAYOUT  
 <TOP VIEW> TOLERANCE: ±0.05  
 Laser Corving

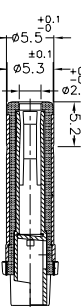


SPECIFICATIONS:

- ELECTRICAL CHARACTERISTICS:
  - RATING: 20V 10A
  - CONTACT RESISTANCE: 10mΩ MAX.
  - DIELECTRIC WITHSTANDING VOLTAGE: 500V AC FOR ONE MINUTE.
  - INSULATION RESISTANCE: 100MΩ MIN. MEASURED BY 500 VDC
- MECHANICAL CHARACTERISTICS:
  - INSERTION FORCE: 3.0 kg Max.
  - WITHDRAWAL FORCE: 1.0~3.0kg (INITIAL); 0.5~3.0kg (AFTER TEST)
  - LIFE TEST: 8,000 CYCLES MIN.
- MEASURING CONDITION:
  - TEMPERATURE: FROM 5°C TO 35°C
  - RELATIVE HUMIDITY: FROM 40% TO 85%
- ENVIRONMENTAL SPECIFICATIONS:
  - HUMIDITY TEST: HUMIDITY 90% TO 95% TEMPERATURE 40°C ±2°C FOR 96 HOURS.
  - HEAT TEST: TEMPERATURE 70°C ± 2°C (HUMIDITY BELOW 50%) FOR 96 HOURS.
  - COLD TEST: TEMPERATURE -40°C ± 2°C FOR 96 HOURS.
  - TO CONFORM TO SINGATRON HAZARDOUS SUBSTANCE FREE SPEC.
- PRINTED DATE CODE "YMMDD" ON TOP OF CONNECTOR.
- GREEN PRODUCT IDENTIFICATION MARK ON JACK.
- GREEN PRODUCT IDENTIFICATION LABEL ON PACKAGING.
- FOR REFLOW SOLDERING LEAD-FREE PROCESS.

DD: DAY  
 MM: MONTH  
 YY: YEAR

**G.P. PASS**



Ø5.5PULG TYPE(2DP-G313-B01)  
 1.RATING: DC 20V 10A 43uF

NO	DESCRIPTION	QTY	MATERIAL	PLATING & COLOR
F	GROUND	1	SUS 304 0.15I	N/A
E	SHELL	1	SPCC-SD 0.4T	Ni 1200" Min OVER Cu 1200" Min
D	STOPPER	1	PA-9T+30% GF GN2330 UJ94V-0	BLACK
C	PIN	1	HB959-1.5B	GOLD FLASH 1U" Min.
B	SPRING	1	C5210-H 0.3I	Sn 60u"Min,Ni 60u"Min.
A	BODY	1	PA-9T+30% GF GN2330 UJ94V-0	BLACK

UNLESS OTHERWISE SPECIFIED TOLERANCES

DECIMALS:	ANGLES:
X :±0.5	X :±2°
X.X :±0.3	X.X :±1°
X.XX :±0.2	

**DC POWER JACK**

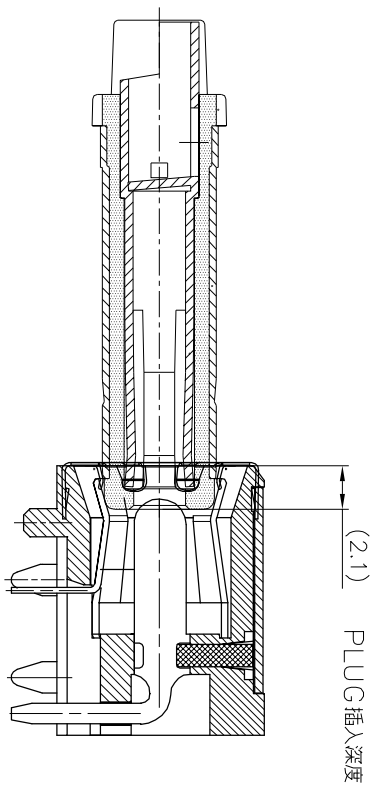
TITLE	PART NO.	2DC-G213-B85H
DWN	Qizhen	
CHKD	SCALE:4:1	UNIT: mm
APVD	SIZE: A3	SHEET: 1 OF 2

**CUSTOMER COPY**

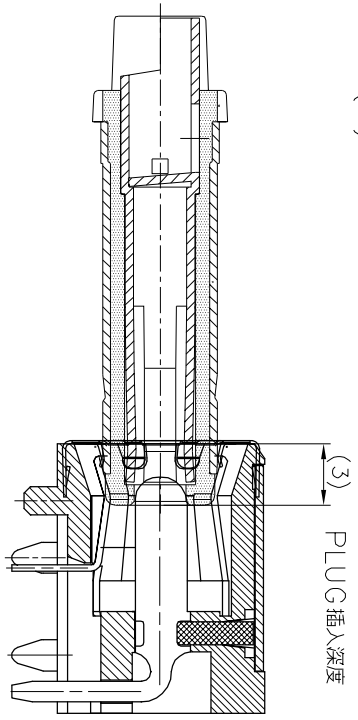
Singatron Enterprise Co., Ltd.  
 信登企業股份有限公司

REV.	ECN NO OR DESCRIPTION	REVISED	DATE
A	PDR NO.T170717-1A	Ron	2017.12.22
B	ECN NO.S190728-C	Qizhen	2019.08.22

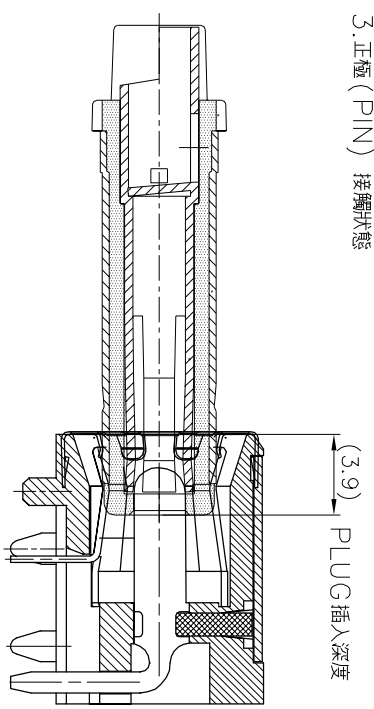
1. GROUND接觸狀態



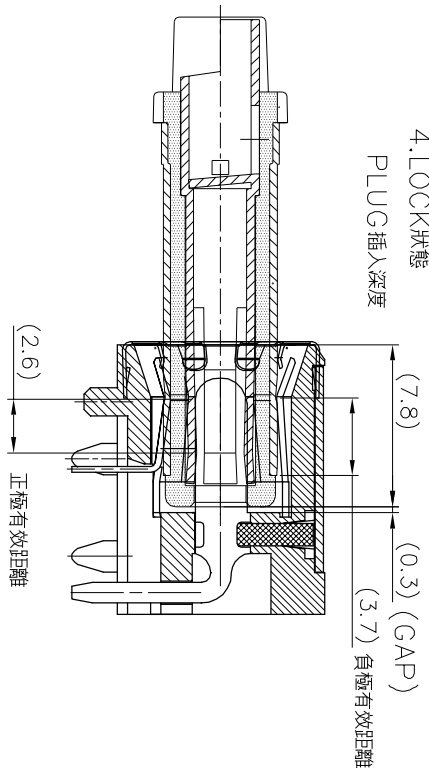
2. SPRING(-) 接觸狀態



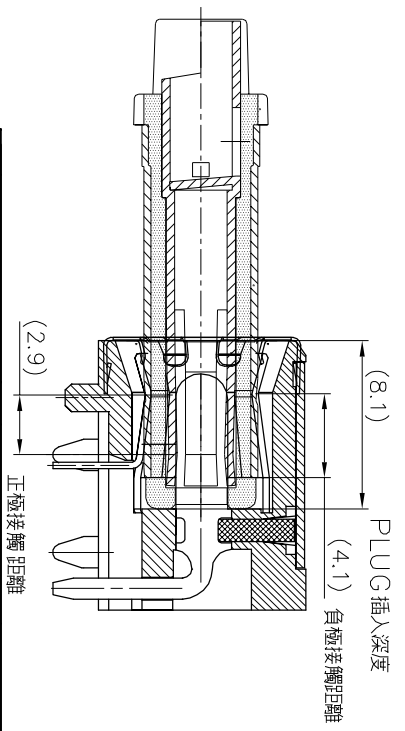
3. 正極 (PIN) 接觸狀態



4. LOCK狀態




5. FULL MATING



REV.	ECN NO OR DESCRIPTION	REVISED	DATE
A	PDR NO.1170717-1A	Ron	2017.12.22
B	ECN NO.S190728-C	Qizhen	2019.08.22

NO	DESCRIPTION	QTY	MATERIAL	PLATING & COLOR
UNLESS OTHERWISE SPECIFIED TOLERANCES				
DECIMALS:		ANGLES:		
X	:±0.5	X	:±2°	
X.X	:±0.3	X.X	:±1°	
X.XX	:±0.2			
TITLE MATING				
DWN	Qizhen	PART NO.	2DC-G213-B85H	
CHKD		SCALE:4:1	UNIT: mm	
APVD		SIZE: A3	SHEET:2 OF 2	REV:B
CUSTOMER COPY				

 Singatron Enterprise Co., Ltd.  
 信晉企業股份有限公司