

REV.	ECN NO OR DESCRIPTION	REVISED	DATE
A	PDR NO.T171024-4A	Zhijun	2019.01.16
B	ECN NO.S190359-C	Jie	2019.05.22
C	ECN NO.S190311-C	ken	2019.06.18

SPECIFICATIONS:

1.ELECTRICAL CHARACTERISTICS:

- 1-1. RATING: 24V 10A
- 1-2. CONTACT RESISTANCE: 30mΩ MAX.
- 1-3. DIELECTRIC WITHSTANDING VOLTAGE: 500V AC FOR ONE MINUTE.
- 1-4. INSULATION RESISTANCE: 100MΩ MIN. MEASURED BY 500V DC.

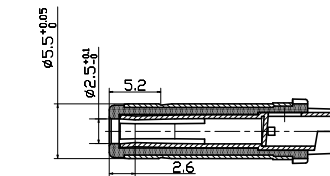
2.MECHANICAL CHARACTERISTICS:

- 2-1. INSERTION FORCE: 3.5Kgf Max.
- 2-2. WITHDRAWAL FORCE: 0.5Kgf~3.5Kgf.
- 3. LIFE TEST: 5000 CYCLES MIN.
- 4. OTHER GENERAL SPEC. TO REFER "2DC-G213-B86F SPEC".
- 5. TO CONFORM TO SINGATRON HAZARDOUS SUBSTANCE FREE SPEC.
- 6. HALOGEN FREE PRODUCT IDENTIFICATION MARK ON JACK:
- 7. HALOGEN FREE PRODUCT IDENTIFICATION LABEL ON PACKAGING:
- 8. FOR REFLOW SOLDERING LEAD-FREE PROCESS.
- 9. PACKAGING: TAPE & REEL
- 10. PRINTED DATE CODE "YYMMDD" ON TOP OF CONNECTOR.

DD: DAY  
MM: MONTH  
YY: YEAR

- 11. THE PANEL'S ID MUST BE GREATER THAN THE PLUG'S OD WHICH MUST HAVE A DIFFERENCE OF LESS THAN OR EQUAL TO 0.5 mm.(AS SHOWN IN FIGURE 1.)

- 12. OPERATING TEMPERATURE: -40°C~85°C.



Ø5.5PULG TYPE(2DP-G313-B01)

1.RATING: DC 24V 10A

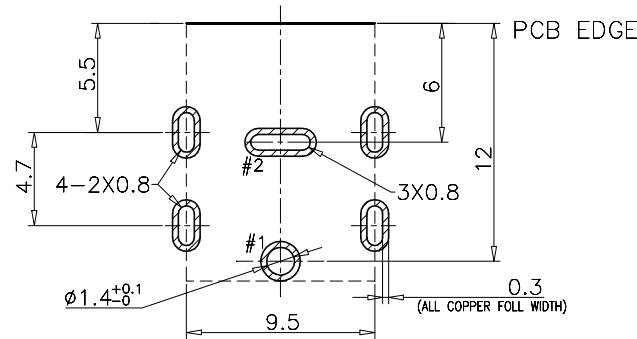
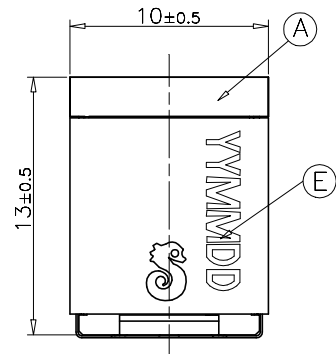
NO	DESCRIPTION	QTY	MATERIAL	PLATING & COLOR
F	GROUND	1	STAINLESS 0.15T	N/A
E	SHELL	1	SPCC 0.4T	Ni 60u" Min OVER Cu 80u" MIN.
D	STOPPER	1	HIGH TERMOPLASTIC UL94V-0	NATURE
C	PIN	1	BRASS	Ag 20u" Min OVER Ni 60u" Min
B	SPRING	1	PHOSPHOR BRONZE 0.3T	Tin 60u" Min OVER Ni 60u" Min.
A	BODY	1	HIGH TERMOPLASTIC UL94V-0	BLACK

UNLESS OTHERWISE SPECIFIED TOLERANCES

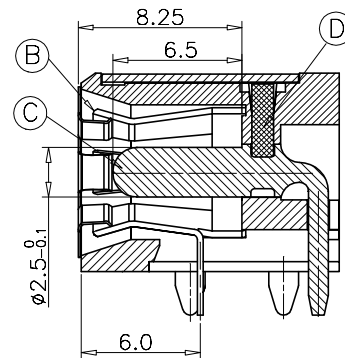
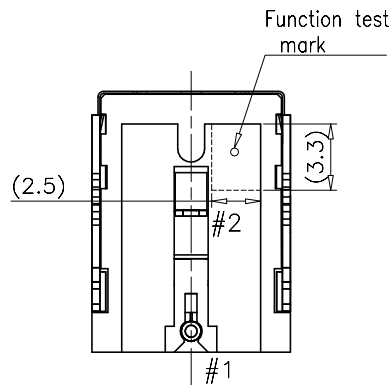
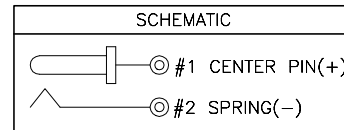
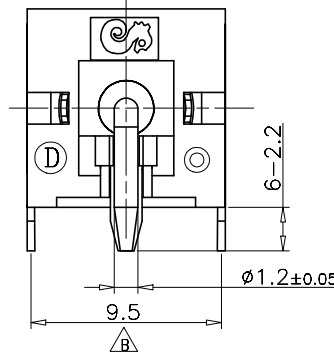
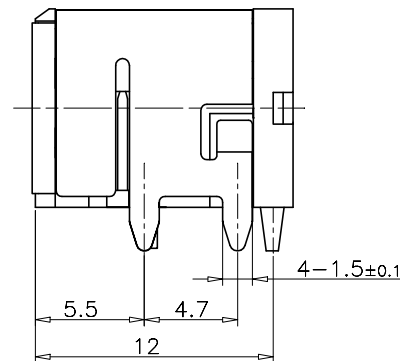
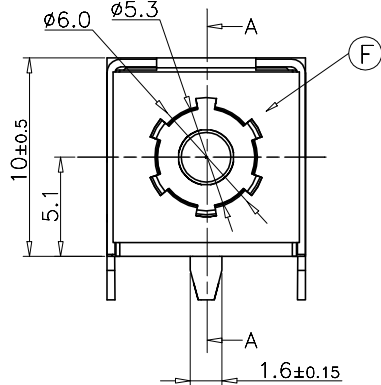
Singatron Enterprise Co., Ltd.  
信音企業股份有限公司

DECIMALS:	ANGLES:	TITLE	DC POWER JACK	
X :±0.5	X :±2°	DWN Ken	PART NO.2DC-G213-B86F	
X.X :±0.3	X.X :±1°	CHKD Sky	SCALE:4:1	UNIT: mm
X.XX :±0.2		APVD Lussen	SIZE: A3	SHEET:1 OF 2
REV:C				

CUSTOMER COPY



RECOMMEND P.C.B LAYOUT  
TOP VIEW(TOLERANCE ±0.05)



Section A-A

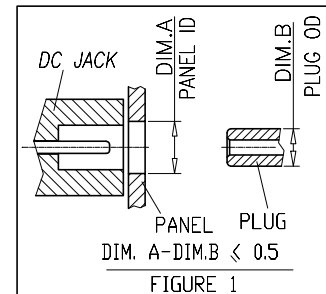
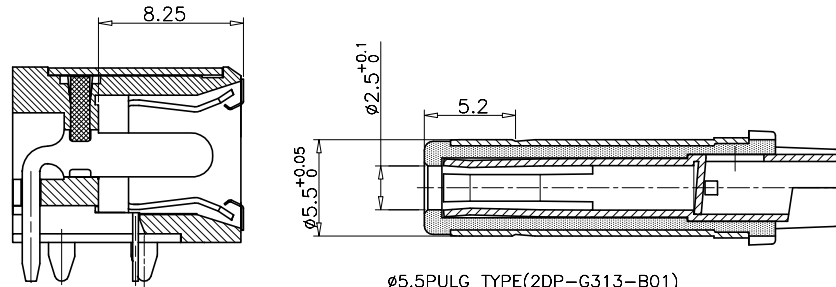
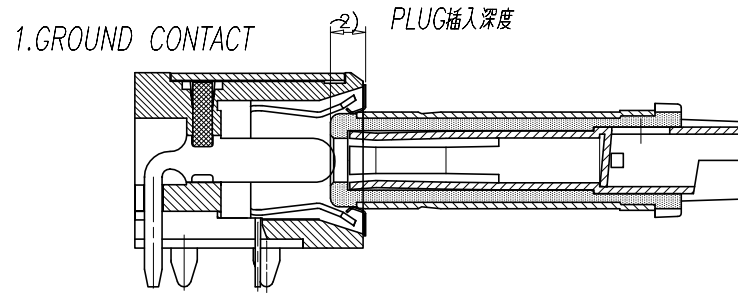


FIGURE 1

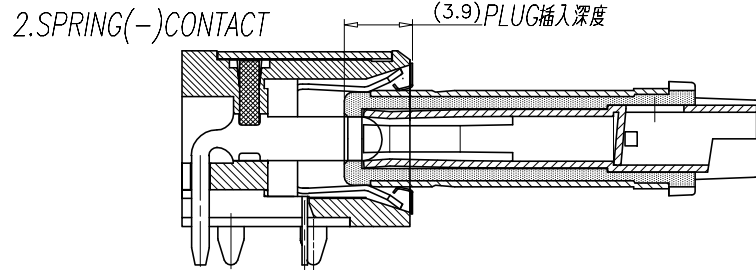
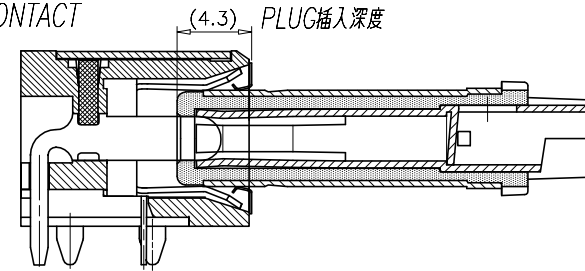
REV.	ECN NO OR DESCRIPTION	REVISED	DATE
A	PDR NO.T171024-4A	Zhijun	2019.01.16
B	ECN NO.S190359-C	Jie	2019.05.27
C	ECN NO.S190311-C	ken	2019.06.18



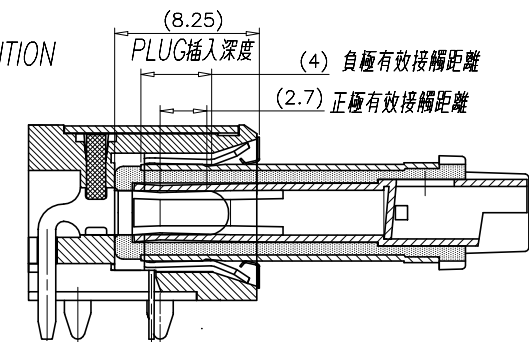
ø5.5PULG TYPE(2DP-G313-B01)  
1.RATING: DC 24V 10A



3.PIN(+) CONTACT



4. MATING CONDITION



UNLESS OTHERWISE SPECIFIED TOLERANCES

DECIMALS:	ANGLES:
X :±0.5	X :±2°
X.X :±0.3	X.X :±1°
X.XX :±0.2	

Singatron Enterprise Co., Ltd.  
信音企業股份有限公司

TITLE	MATING DRAWING		
DWN	Ken	PART NO. 2DC-G213-B86F	
CHKD	Sky	SCALE:4:1	UNIT: mm
APVD	Lussen	SIZE: A3	SHEET:2 OF 2
REV: C			

CUSTOMER COPY