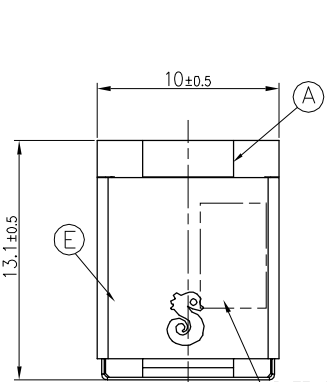
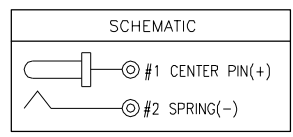
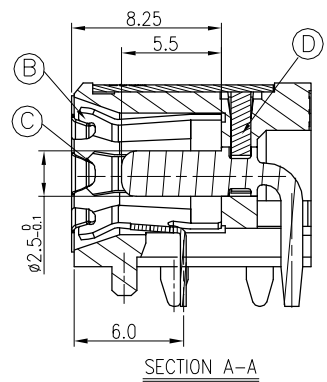
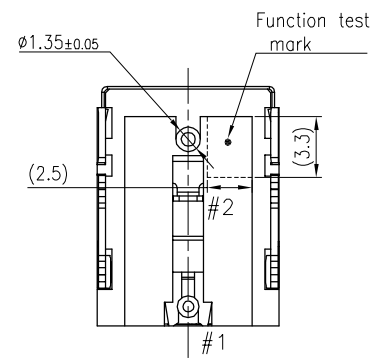
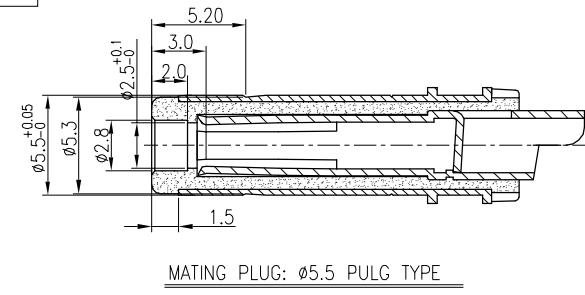
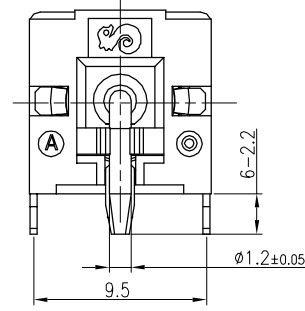
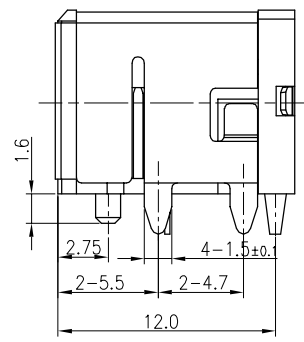
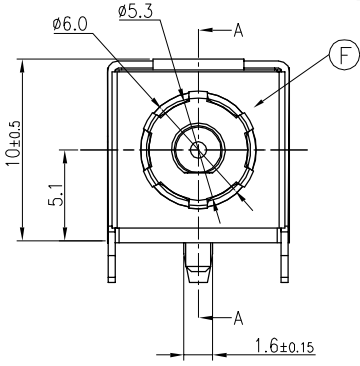
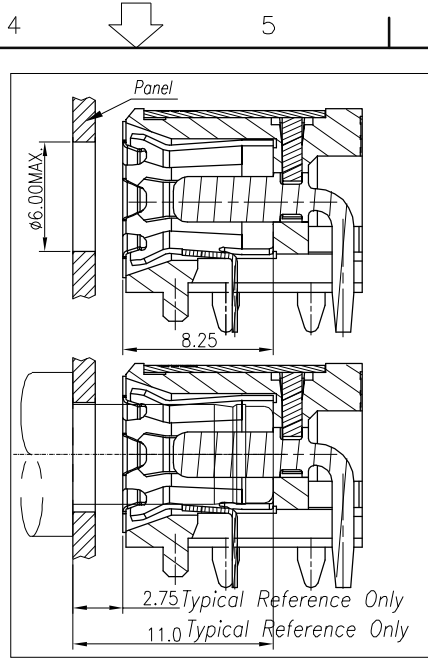
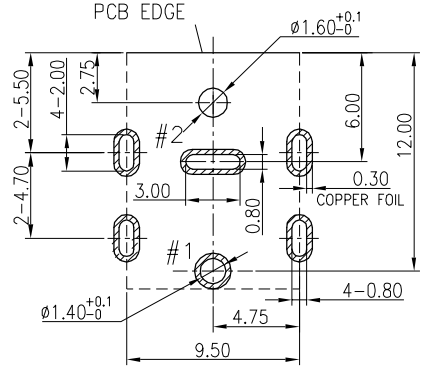


REV.	ECN NO OR DESCRIPTION	REVISED	DATE
A	PDR NO.T190618-2A	Springwu	2019.12.10

- SPECIFICATIONS:
- ELECTRICAL CHARACTERISTICS:
 - CURRENT RATING:DC 30V 10A.
 - CONTACT RESISTANCE:30mΩ MAX.(INITIAL)
 - DIELECTRIC WITHSTANDING VOLTAGE:250V AC FOR ONE MINUTE.
 - INSULATION RESISTANCE:100MΩ MIN. MEASURED BY 500V DC.
 - MECHANICAL CHARACTERISTICS:
 - INSERTION FORCE: 3.5Kgf Max.
 - WITHDRAWAL FORCE: 0.5Kgf~3.5Kgf.
 - LIFE TEST:5000 CYCLES MIN.
 - OTHER GENERAL SPEC. TO REFER "2DC-G213-B93F SPEC".
 - TO CONFORM TO SINGATRON HAZARDOUS SUBSTANCE FREE SPEC.
 - HALOGEN FREE PRODUCT IDENTIFICATION MARK ON JACK:
 - HALOGEN FREE PRODUCT IDENTIFICATION LABEL ON PACKAGING:
 - FOR REFLOW SOLDERING LEAD-FREE PROCESS.
 - PACKAGING: TAPE & REEL
 - PRINTED DATE CODE ON TOP OF CONNECTOR.



DATE CODE AREA
 YYMMDD OR YMD
 DAY MONTH YEAR DAY MONTH YEAR



F	GROUND	1	STAINLESS 0.15T	N/A
E	SHELL	1	SPCC 0.4T	Ni 60u" Min OVER Cu 80u" MIN.
D	STOPPER	1	HIGH TEMP.THERMOPLASTIC UL94V-0	BLACK
C	PIN	1	BRASS	GOLD FLASH OVER Ni 50u".
B	SPRING	1	PHOSPHOR BRONZE 0.3T	Tin 60u" Min OVER Ni 60u"Min.
A	BODY	1	HIGH TEMP.THERMOPLASTIC UL94V-0	BLACK
NO	DESCRIPTION	QTY	MATERIAL	PLATING & COLOR

UNLESS OTHERWISE SPECIFIED TOLERANCES

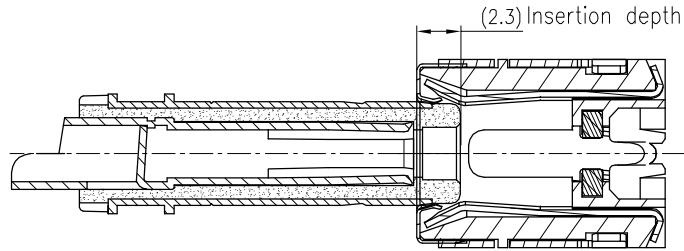
Singatron Enterprise Co., Ltd.
 信音企業股份有限公司

DECIMALS:	ANGLES:	TITLE	DC POWER JACK	
X :±0.5	X :±2°	DWN	Springwu	PART NO.2DC-G213-B93F
X.X :±0.3	X.X :±1°	CHKD	Sky	SCALE:4:1 UNIT: mm
X.XX :±0.2		APVD	Lussen	SIZE: A3 SHEET:1 OF 2 REV: A
CUSTOMER COPY				

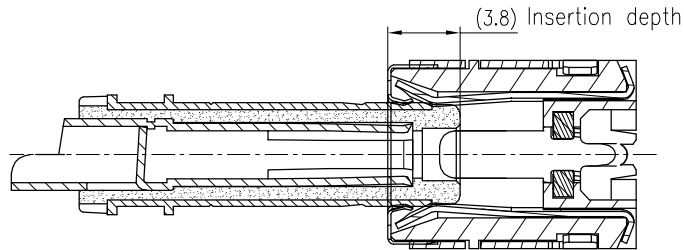
1 2 3 4 5 6 7 8

REV.	ECN NO OR DESCRIPTION	REVISED	DATE
A	PDR NO.T190618-2A	Springwu	2019.12.10

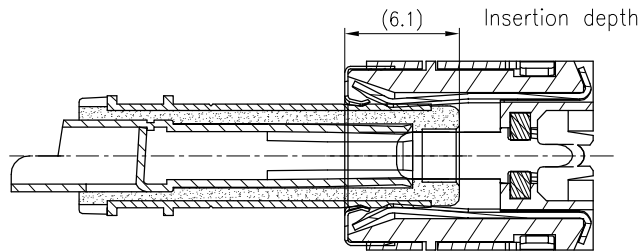
1. GROUND CONTACT FIRST



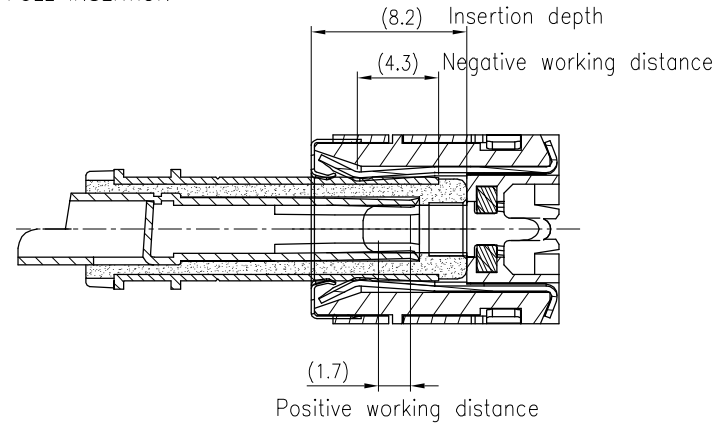
2. SPRING- CONTACT




3. PIN+ CONTACT



4. FULL INSERTION



NO	DESCRIPTION	QTY	MATERIAL	PLATING & COLOR
UNLESS OTHERWISE SPECIFIED TOLERANCES		 Singatron Enterprise Co., Ltd. 信音企業股份有限公司		
DECIMALS:	ANGLES:	TITLE	DC POWER JACK	
X :±0.5	X :±2°	DWN	Springwu	PART NO.2DC-G213-B93F
X.X :±0.3	X.X :±1°	CHKD	Sky	SCALE:4:1 UNIT: mm
X.XX :±0.2		APVD	Lussen	SIZE: A3 SHEET:2 OF 2 REV: A
CUSTOMER COPY				

1 2 3 4 5 6 7 8