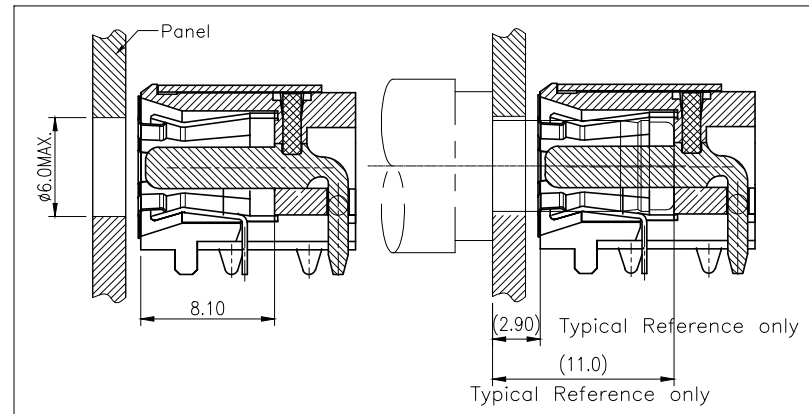
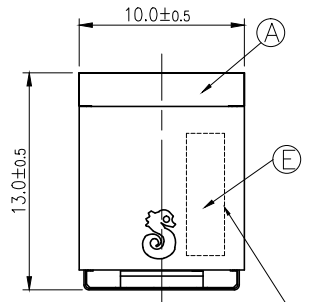


1 2 3 4 5 6 7 8

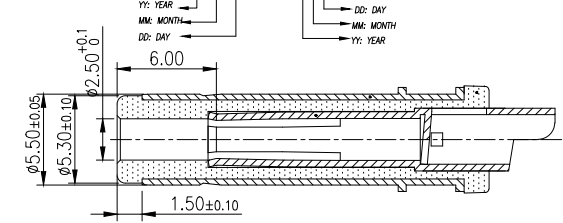
REV.	ECN NO OR DESCRIPTION	REVISED	DATE
A	PDR NO:T220803-1A	Yizhou	2023.10.18
B	ECN NO:S202311-R04	Yizhou	2023.11.29
C	ECN NO:S202312-C01	Yizhou	2023.12.11



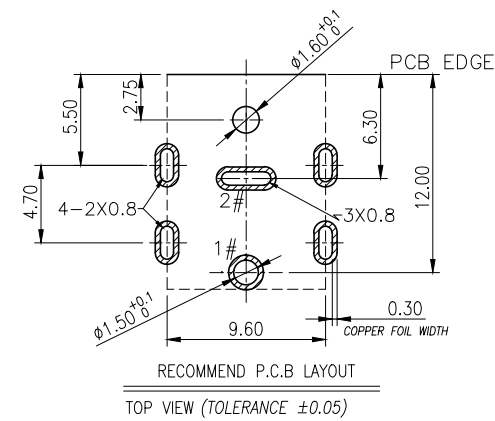
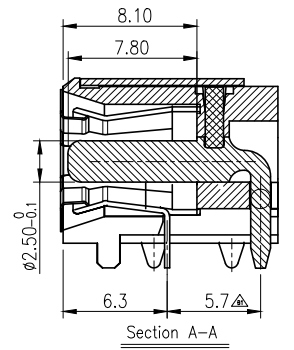
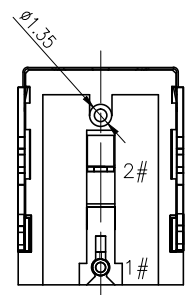
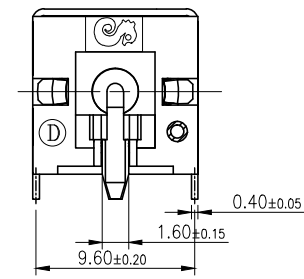
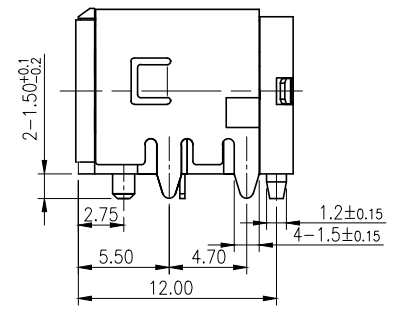
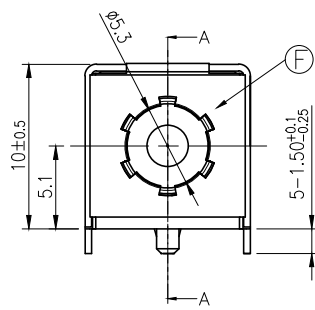
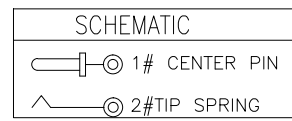
DATE CODE

SPECIFICATIONS:

- ELECTRICAL CHARACTERISTICS:
  - 1-1. RATING: DC 20V 10A.
  - 1-2. CONTACT RESISTANCE: 30mΩ MAX.
  - 1-3. DIELECTRIC WITHSTANDING VOLTAGE: 150V AC FOR ONE MINUTE.
  - 1-4. INSULATION RESISTANCE: 100MΩ MIN. MEASURED BY 500 VDC
- MECHANICAL CHARACTERISTICS:
  - 2-1. INSERTION FORCE : 3.0 KGF Max.
  - 2-2. WITHDRAWAL FORCE : 0.3~3.0 KGF.
- LIFE TEST: 5,000 CYCLES MIN.
- OTHER GENERAL SPEC. TO REFER "2DC-G213-B98F SPEC".
- TO CONFORM TO SINGATRON HAZARDOUS SUBSTANCE FREE SPEC.
- HALOGEN FREE PRODUCT IDENTIFICATION MARK ON PRODUCT:
- HALOGEN FREE PRODUCT IDENTIFICATION LOGO ON THE PACKAGING:
- FOR REFLOW SOLDERING LEAD-FREE PROCESS.
- PRINTED DATE CODE "YYMMDD" OR "YMD" ON TOP OF JACK.



Ø5.5 PLUG TYPE(2DP-G213-B04)

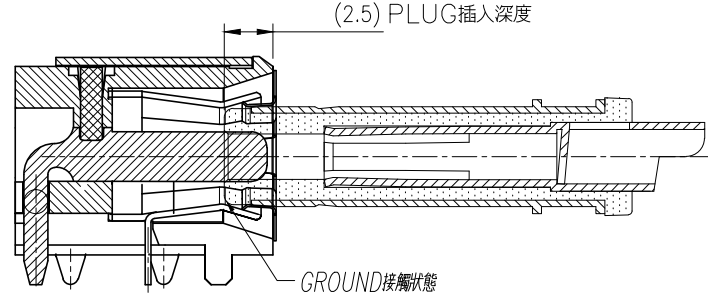


F	GROUND	1	STAINLESS 0.15t	N/A
E	SHELL	1	SPCC-SD 0.4T	可Ni 60u" Min. OVER Cu 80u" Min.
D	STOPPER	1	PA10T UL94V-0	NATURAL
C	PIN	1	2.5ØHBI59-1.5B	Ag 20u" Min OVER Ni60u" Min ALL OVER Cu60u" Min.
B	SPRING	1	C5210-H 0.3T T14	Matte Sn 60u" OVER Ni 60u"
A	BODY	1	PA10T UL94V-0	BLACK
NO	DESCRIPTION	QTY	MATERIAL	PLATING & COLOR
UNLESS OTHERWISE SPECIFIED TOLERANCES			Singatron Enterprise Co., Ltd. 信音企業股份有限公司	
DECIMALS:		ANGLES:		TITLE
X	:±0.5	X	:±2°	DC POWER JACK
X.X	:±0.3	X.X	:±1°	DWN Yizhou PART NO. 2DC-G213-B98F
X.XX	:±0.2			CHKD Boye SCALE:4:1 UNIT: mm
				APVD Liao SIZE: A3 SHEET:1 OF 2 REV:C
CUSTOMER COPY				

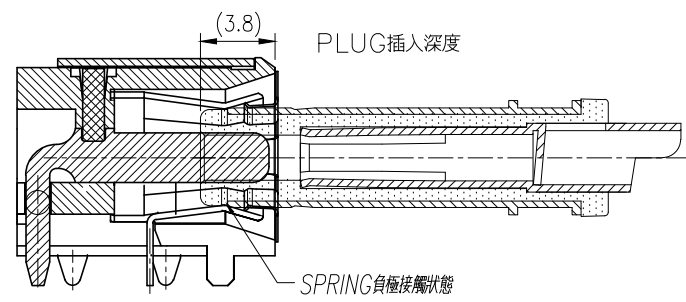
1 2 3 4 5 6 7 8

REV.	ECN NO OR DESCRIPTION	REVISED	DATE
A	PDR NO:T220803-1A	Yizhou	2023.10.18
B	ECN NO:S202311-R04	Yizhou	2023.11.29
C	ECN NO:S202312-C01	Yizhou	2023.12.11

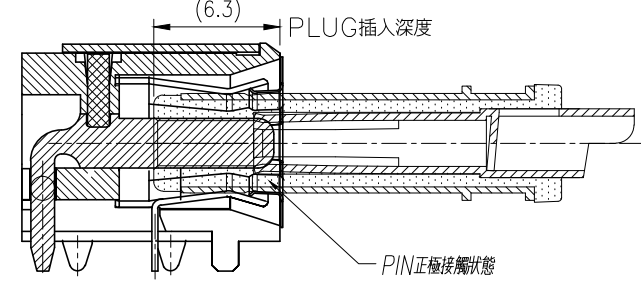
1. GROUND 接觸狀態



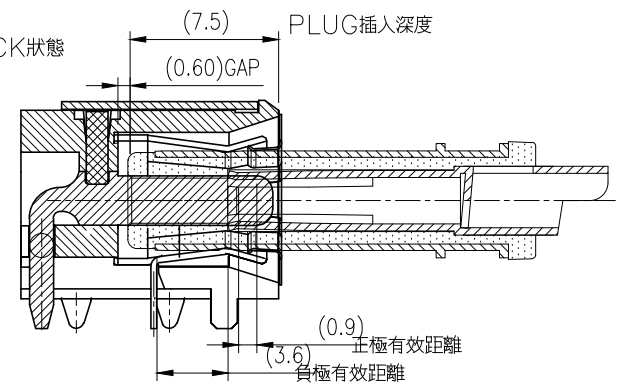
2. SPRING(-) 接觸狀態



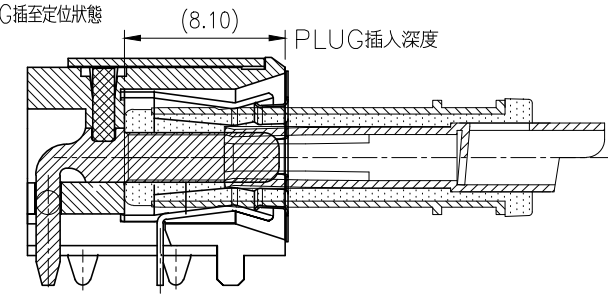
3. 正極 (PIN) 接觸狀態


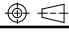


4. LOCK 狀態



5. PLUG 插至定位狀態



NO	DESCRIPTION	QTY	MATERIAL	PLATING & COLOR
UNLESS OTHERWISE SPECIFIED TOLERANCES		 Singatron Enterprise Co., Ltd. 信音企業股份有限公司		
DECIMALS: X :±0.5 X.X :±0.3 X.XX :±0.2		ANGLES: X :±2° X.X :±1°		TITLE DC POWER JACK
DWN	Yizhou	PART NO. 2DC-G213-B98F		
CHKD	Boye	SCALE: 4:1	UNIT: mm	
APVD	Liao	SIZE: A3	SHEET: 2 OF 2	
CUSTOMER COPY				