

REV.	ECN NO OR DESCRIPTION	REVISED	DATE
A	PDR NO:T120828-6A	Summer	2012.09.20
B	ECN NO:S130326	SEAN	2013.09.23
C	ECN NO:S150941-E	YUREN	2015.12.11

SPECIFICATIONS:

1.ELECTRICAL CHARACTERISTICS:

- 1-1.RATING: DC 20V 7A
- 1-2.CONTACT RESISTANCE : 30mΩ Max(INITAL)
- 1-3.DIELECTRIC WITHSTANDING VOLTAGE:500V AC FOR ONE MINUTE
- 1-4.INSULATION RESISTANCE:100MΩ MIN,MEASURED BY 500 VDC

2.MECHANICAL CHARACTERISTICS:

- 2-1.INSERTION FORCE: 3.5KG Max.
- 2-2.WITHDRAWAL FORCE: 0.5KG-3.5KG

3.LIFE TEST:5,000 CYCLES MIN.

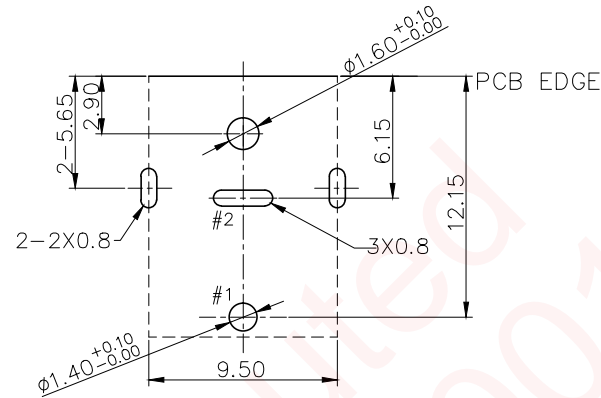
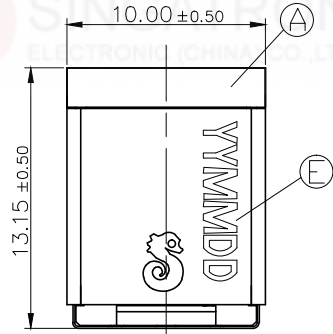
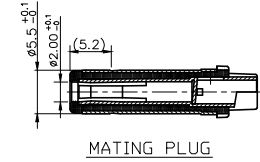
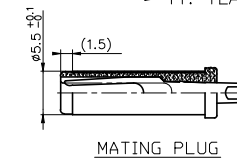
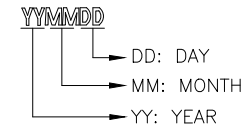
- 4.OTHER GENERAL SPEC TO REFER"DC POWER JACK"SPEC
- 5.TO CONFORM TO SINGATRON HAZARDOUS SUBSTANCE FREE SPEC

6.HALOGEN FREE PRODUCT IDENTIFICATION MARK ON PRODUCT:

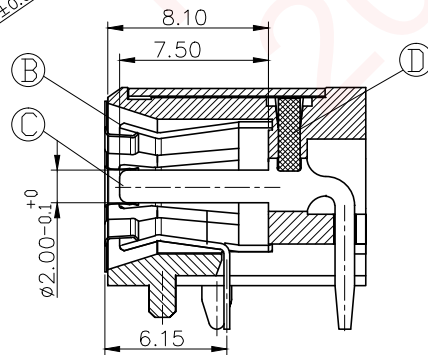
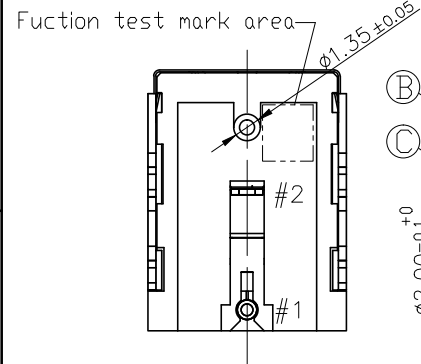
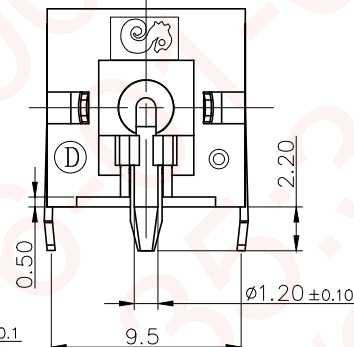
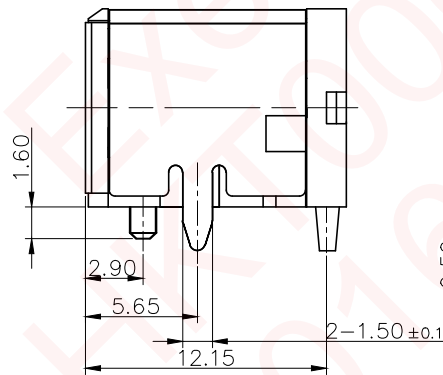
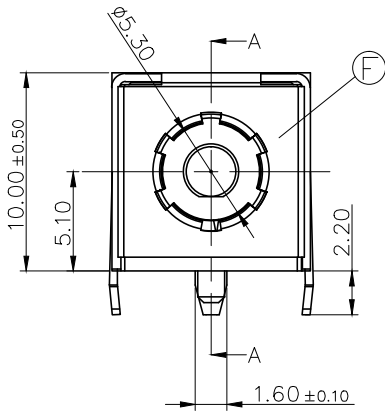
7.HALOGEN FREE PRODUCT IDENTIFICATION LABEL ON PACKAGING:

8.FOR HAND SOLDERING LEAD FREE PROCESS.

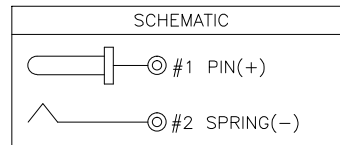
9.PRINTED DATE CODE"YYMMDD" ON TOP OF CONNECTOR.



RECOMMEND P.C.B LAYOUT  
TOP VIEW(TOLERANCE ±0.05)



Section A-A



F	GROUND	1	STAINLESS STEEL 0.15t	N/A
E	SHELL	1	SPCC-SD 0.4t	Ni 60u" Min.
D	STOPPER	1	HIGH TEMP.THERMOPLASTIC UL94V-0	NATURE
C	PIN	1	HBI59-1.5B	Ni 60u" Min.
B	SPRING	1	COPPER ALLOY 0.3t	Bright Sn 60u"on Contact area Matte Sn 60u" On Solder Tail ALL OVER Ni 60u"
A	BODY	1	HIGH TEMP.THERMOPLASTIC UL94V-0	BLACK
NO	DESCRIPTION	QTY	MATERIAL	PLATING & COLOR

UNLESS OTHERWISE SPECIFIED TOLERANCES

DECIMALS: ANGLES:  
X :±0.5 X :±2"  
X.X :±0.3 X.X :±1"  
X.XX :±0.2

Singatron Enterprise Co., Ltd.  
信音企業股份有限公司

TITLE	DC POWER JACK		
DWN YUREN	PART NO. 2DC-G213-D65F		
CHKD CERRY	SCALE:4:1	UNIT: mm	REV:C
APVD LIAO	SIZE: A3	SHEET:1 OF 1	REV:C
CUSTOMER COPY			