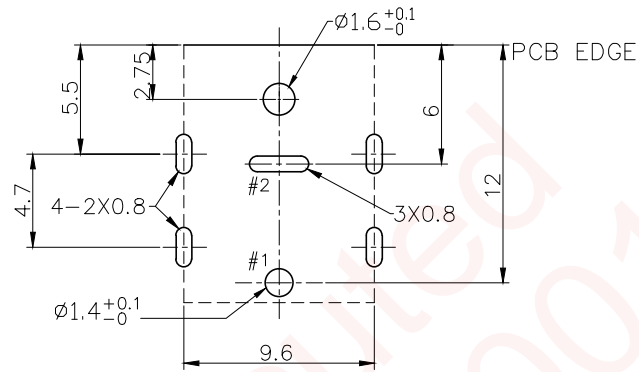
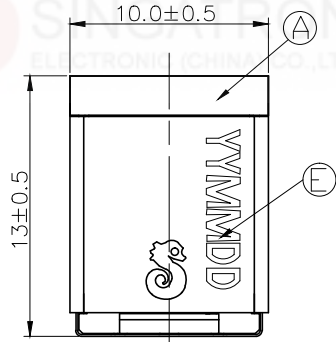


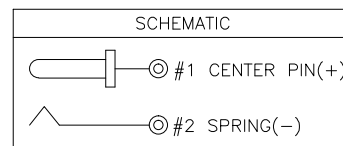
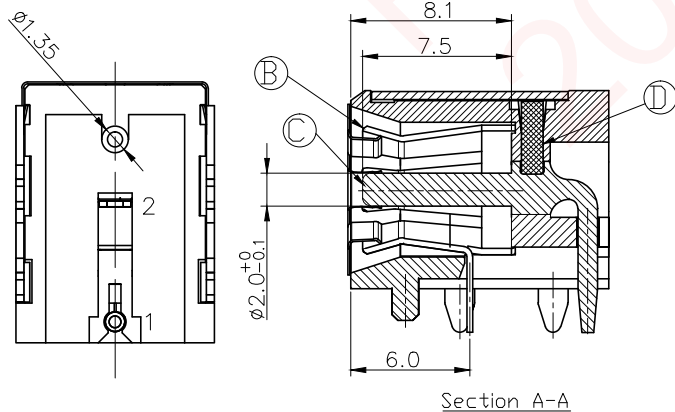
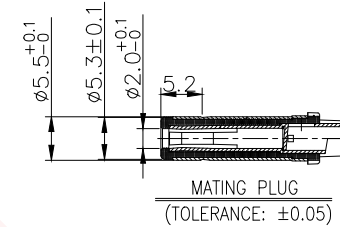
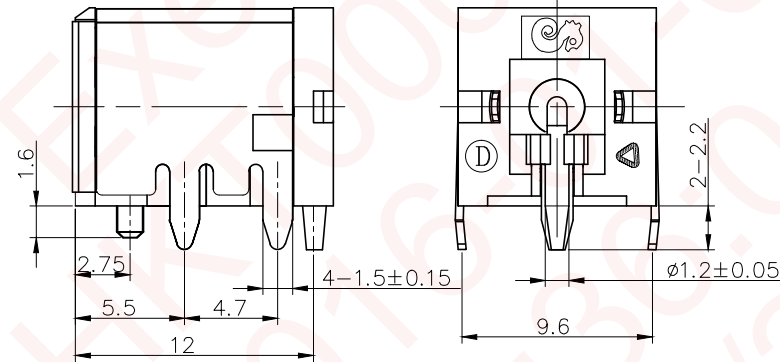
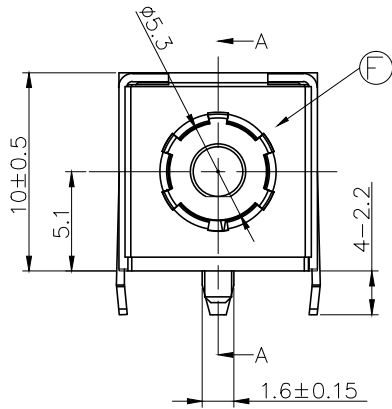
| REV. | ECN NO OR DESCRIPTION | REVISED | DATE |
|------|-----------------------|---------|------------|
| A | PDR NO. T120509-12A | Eileen | 2012.05.23 |
| B | ECN NO. S150941-E | YUREN | 2015.12.11 |



RECOMMEND P.C.B LAYOUT
TOP VIEW(TOLERANCE ±0.05)

SPECIFICATIONS:

- ELECTRICAL CHARACTERISTICS:
 - RATING: 20V 10A
 - CONTACT RESISTANCE: 10mΩ MAX.
 - DIELECTRIC WITHSTANDING VOLTAGE: 500V AC FOR ONE MINUTE.
 - INSULATION RESISTANCE: 100MΩ MIN. MEASURED BY 500 VDC
- MECHANICAL CHARACTERISTICS:
 - INSERTION FORCE : 3.0 kg Max.
 - WITHDRAWAL FORCE : 1.0~3.0kg.
- LIFE TEST: 8,000 CYCLES MIN.
- TO CONFORM TO SINGATRON HAZARDOUS SUBSTANCE FREE SPEC.
- PRINTED DATE CODE "YYMMDD" ON TOP OF CONNECTOR.
 - DD: DAY
 - MM: MONTH
 - YY: YEAR
- GREEN PRODUCT IDENTIFICATION MARK ON JACK:
- GREEN PRODUCT IDENTIFICATION LABEL ON PACKAGING:
- FOR WAVE SOLDERING LEAD-FREE PROCESS.



| | | | | |
|---|---------|---|---------------------------------|------------------------|
| F | GROUND | 1 | STAINLESS STEEL 0.15t | N/A |
| E | SHELL | 1 | SPCC-SD 0.4t | Ni 60u" Min,Cu 80u"Min |
| D | STOPPER | 1 | HIGH TEMP.THERMOPLASTIC UL94V-0 | NATURE |
| C | PIN | 1 | HBI59-1.5B | Ag 20u" Min. |
| B | SPRING | 1 | COPPER ALLOY 0.3t | Sn 60u"Min,Ni 60u"Min. |
| A | BODY | 1 | HIGH TEMP.THERMOPLASTIC UL94V-0 | BLACK |

| NO | DESCRIPTION | QTY | MATERIAL | PLATING & COLOR |
|----|-------------|-----|----------|-----------------|
|----|-------------|-----|----------|-----------------|

UNLESS OTHERWISE SPECIFIED TOLERANCES

Singatron Enterprise Co., Ltd.
信音企業股份有限公司

| DECIMALS: | ANGLES: | TITLE | DC POWER JACK | | |
|------------|----------|-------|---------------|------------------------|--------------|
| X :±0.5 | X :±2° | DWN | YUREN | PART NO. 2DC-G213-D72H | |
| X.X :±0.3 | X.X :±1° | CHKD | CERRY | SCALE:4:1 | UNIT: mm |
| X.XX :±0.2 | | APVD | LIAO | SIZE: A3 | SHEET:1 OF 1 |

CUSTOMER COPY