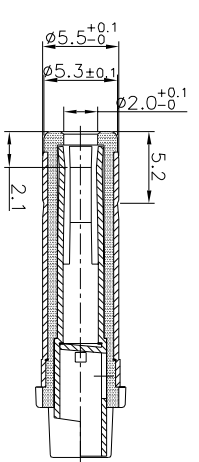
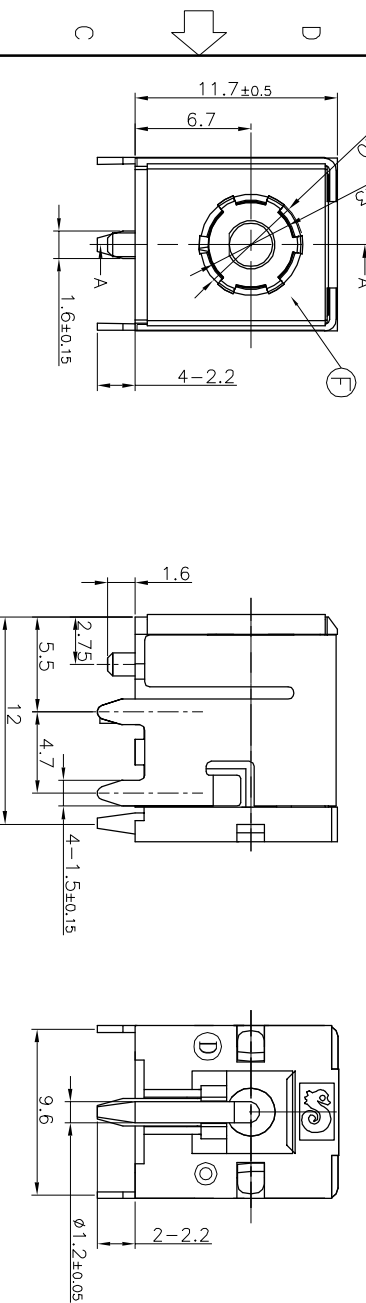
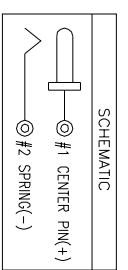
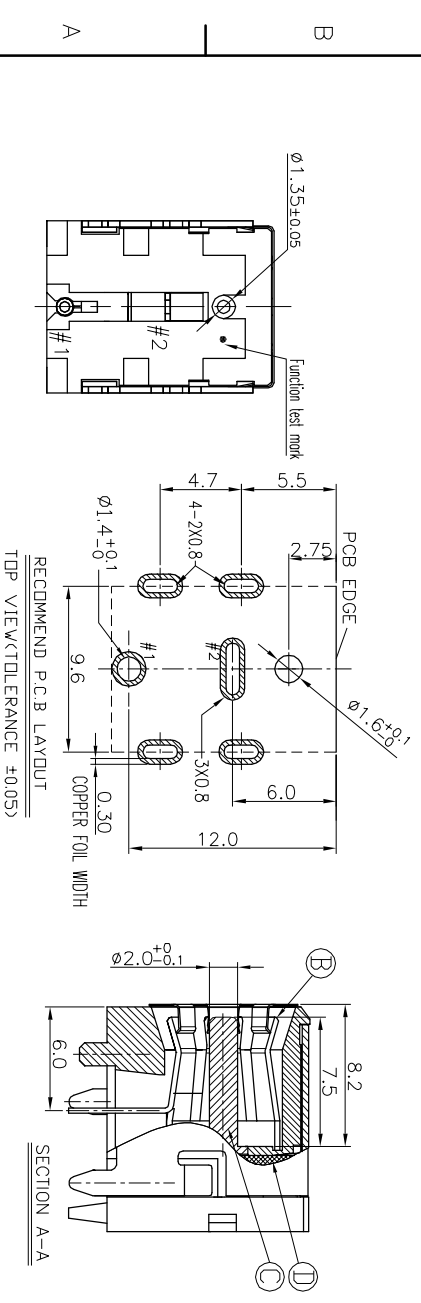


- SPECIFICATIONS:**
- ELECTRICAL CHARACTERISTICS:**
 - 1-1. RATING: 20V 7A.
 - 1-2. CONTACT RESISTANCE: 30mΩ MAX.
 - 1-3. DIELECTRIC WITHSTANDING VOLTAGE: 500V AC FOR ONE MINUTE.
 - 1-4. INSULATION RESISTANCE: 100MΩ MIN. MEASURED BY 500 VDC
 - MECHANICAL CHARACTERISTICS:**
 - 2-1. INSERTION FORCE : 3.5 kg Max.
 - 2-2. WITHDRAWAL FORCE : 0.5~3.5kg.
 3. LIFE TEST: 5,000 CYCLES MIN.
 - 4 TO CONFORM TO SINGATRON HAZARDOUS SUBSTANCE FREE SPEC.
 5. PRINTED DATE CODE "WMMD" ON TOP OF CONNECTOR.
 6. HALOGEN FREE PRODUCT IDENTIFICATION MARK ON JACK:
 7. HALOGEN FREE PRODUCT IDENTIFICATION LABEL ON PACKAGING:
 8. FOR REFLOW SOLDERING LEAD-FREE PROCESS.



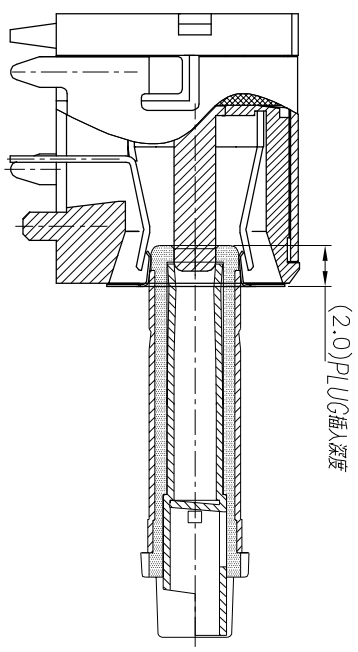
MATING PLUG
(TOLERANCE: ±0.05)



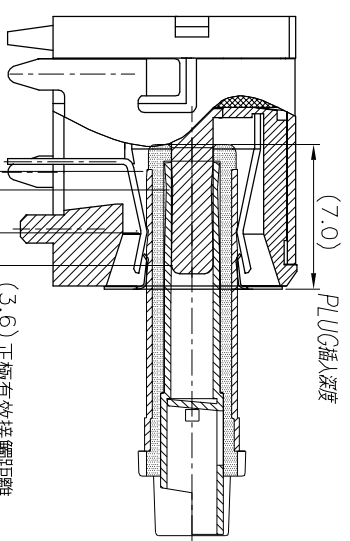
F	GROUND	1	STAINLESS STEEL 0.15T	N/A
E	SHELL	1	SPCC 0.4T	Ni: 60u" Min, Cu 120u" Min
D	STOPPER	1	HIGH TEMP.THERMOPLASTIC U94V-0	NATURE
C	PIN	1	BRASS	4g 20u" OVER Ni: 60u"
B	SPRING	1	PHOSPHOR BRONZE 0.3T	5g 60u" Min, Ni: 60u" Min.
A	BODY	1	HIGH TEMP.THERMOPLASTIC U94V-0	BLACK
NO	DESCRIPTION	QTY	MATERIAL	PLATING & COLOR
UNLESS OTHERWISE SPECIFIED TOLERANCES				
Singatron Enterprise Co., Ltd. 信晉企業股份有限公司				
DECIMALS: ANGLES: TITLE X :±0.5 X :±2° X.X :±0.3 X.X :±1° X.XX :±0.2				
PART NO. 2DC-G213-D75F SCALE: 4:1 UNIT: mm SIZE: A3 SHEET: 1 OF 2 REV: A CUSTOMER COPY				

REV.	ECN NO OR DESCRIPTION	REVISED	DATE
A	PDR NO.: T160624-1A	Wenshuo	2017.06.12

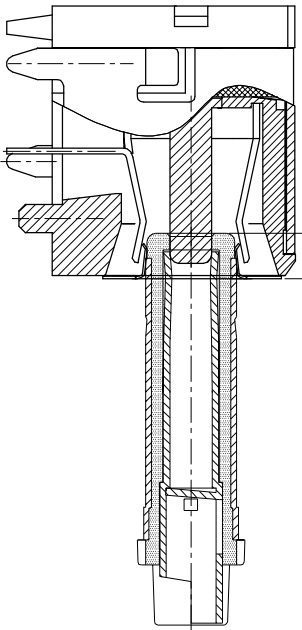
1. GROUND接觸狀態



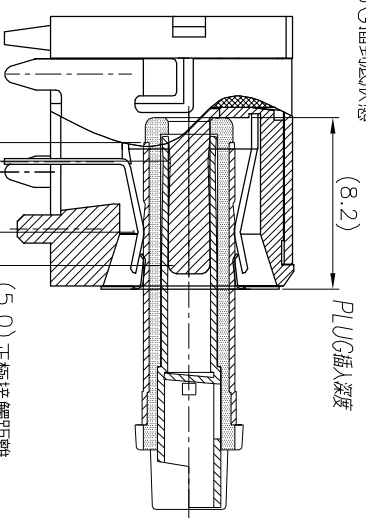
4. LOCK狀態



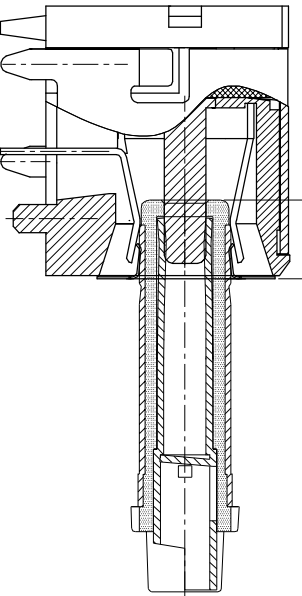
2. 正極 (PIN) 接觸狀態



5. PLUG插到底狀態



3. SPRING (-) 接觸狀態



NO	DESCRIPTION	QTY	MATERIAL	PLATING & COLOR
UNLESS OTHERWISE SPECIFIED TOLERANCES				
DECIMALS: ANGLES:				
X	:±0.5	X	:±2°	
X.X	:±0.3	X.X	:±1°	
X.XX	:±0.2			
TITLE: φ5.5 DC POWER JACK MATING				
DWN	Wenshuo	PART NO. 2DC-G213-D75F		
CHKD	SCALE: 4:1		UNIT: mm	
APVD	SIZE: A3		SHEET: 2 OF 2	REV: A
CUSTOMER COPY				