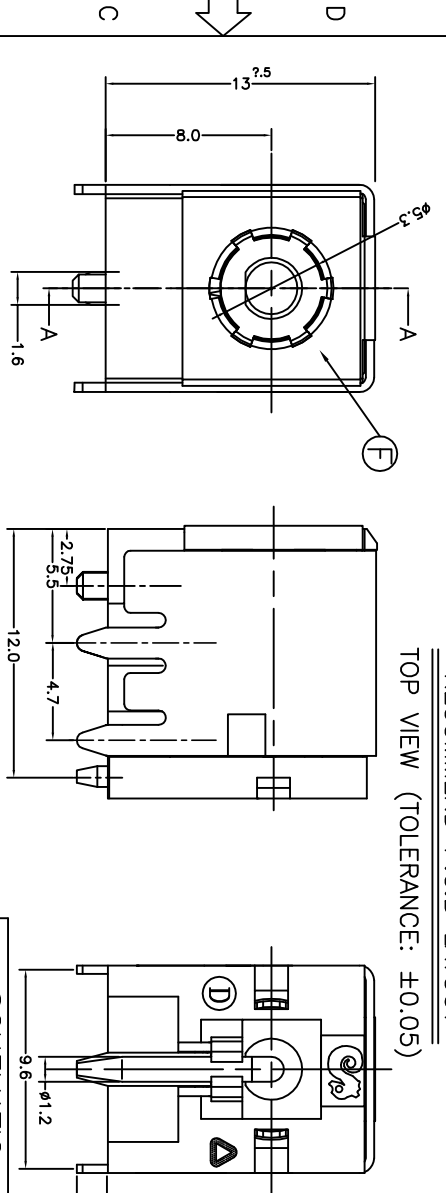
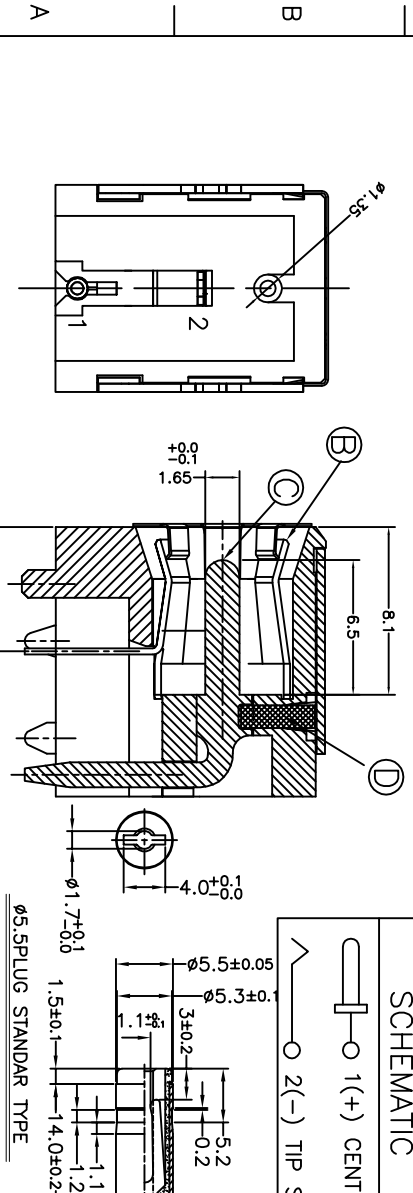


- SPECIFICATIONS:
1. RATING: DC 20V 10A 44uF
 2. INSERTION FORCE: 3.0Kg MAX. WITHDRAWAL FORCE: 0.5Kg ~ 3.0Kg
 3. INSULATION RESISTANCE BETWEEN ANY ADJACENT TERMINALS SHALL NOT BE LESS THAN 100 MEGOHMS BY 500 VOLTS MEGGER.
 4. JACK SHALL WITHSTAND 250 VOLTS BETWEEN ANY ADJACENT TERMINAL FOR ONE MINUTE.
 5. CONTACT RESISTANCE (INITIAL) SHALL NOT EXCEED 30mΩ
 6. CONTACT RESISTANCE (AFTER LIFE TEST) SHALL NOT EXCEED 50mΩ
 6. MEASURING CONDITION: TEMPERATURE: FROM 5°C TO 35°C. RELATIVE HUMIDITY: FROM 40% TO 85%.
 7. ENVIRONMENTAL SPECIFICATIONS: 7.1 HUMIDITY TEST: HUMIDITY 90% TO 95% TEMPERATURE 40°C \pm 2°C FOR 96 HOURS. 7.2 HEAT TEST: TEMPERATURE 70°C \pm 2°C (HUMIDITY BELOW 50%) FOR 96 HOURS. 7.3 COLD TEST: TEMPERATURE -40°C \pm 2°C FOR 96 HOURS.
 8. PACKAGING: TAPE & REEL
 9. PRINTED DATE CODE "YYMMDD" ON TOP OF CONNECTOR.



10. RATING: DC 20V 10A 44uF DEPEND ON MATING PLUG DETAIL TYPE
11. TO CONFORM TO SINGATRON HAZARDOUS SUBSTANCE FREE SPEC.
12. GREEN PRODUCT IDENTIFICATION MARK ON JACK: ♻️
13. GREEN PRODUCT IDENTIFICATION LABEL ON PACKAGING: G.P. PASS
14. FOR REFLOW SOLDERING LEAD-FREE PROCESS.



REV.	ECN NO OR DESCRIPTION	REVISED	DATE
A	PDR NO. T081027-3A	Swing	2009.02.18
B	ECN NO. S090307	Swing	2009.03.19

F	GROUND	1	SUS 304 0.1t
E <th>SHIELDING</th> <th>1</th> <th>COPPER ALLOY 0.4t Ni 60u Over Cu 60u</th>	SHIELDING	1	COPPER ALLOY 0.4t Ni 60u Over Cu 60u
D <th>STOPPER</th> <th>1</th> <th>HIGH TEMP. THERMOPLASTIC UL 94V-0 BLACK</th>	STOPPER	1	HIGH TEMP. THERMOPLASTIC UL 94V-0 BLACK
C <th>PIN</th> <th>1</th> <th>HBI59-1.5B Ag20u On Contact Area, Cu60u All Over Ni60u</th>	PIN	1	HBI59-1.5B Ag20u On Contact Area, Cu60u All Over Ni60u
B <th>SPRING</th> <th>1</th> <th>COPPER ALLOY 0.3t Sn 60u Over Ni 60u</th>	SPRING	1	COPPER ALLOY 0.3t Sn 60u Over Ni 60u
A <th>BODY</th> <th>1</th> <th>HIGH TEMP. THERMOPLASTIC UL 94V-0 YELLOW (123c)</th>	BODY	1	HIGH TEMP. THERMOPLASTIC UL 94V-0 YELLOW (123c)
NO <th>DESCRIPTION</th> <th>QTY</th> <th>MATERIAL</th>	DESCRIPTION	QTY	MATERIAL

UNLESS OTHERWISE SPECIFIED TOLERANCES

DECIMALS:	ANGLES:
X : ± 0.5	X : $\pm 2'$
X.X : ± 0.3	X.X : $\pm 1'$
X.XX : ± 0.2	X.XX : ± 0.2

Singatron Enterprise Co., Ltd.
信管企業股份有限公司

TITLE: DC POWER JACK(65W)

DWN: Same 2009.03.19 PART NO. 2DC-G213-Q53
CHKD: Byw 2009.03.19 SCALE: 4:1 UNIT: mm

APVD: Juesh 2009.03.20 SIZE: A3 SHEET: 1 OF 1 REV: B