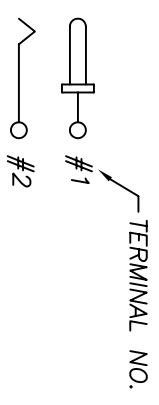
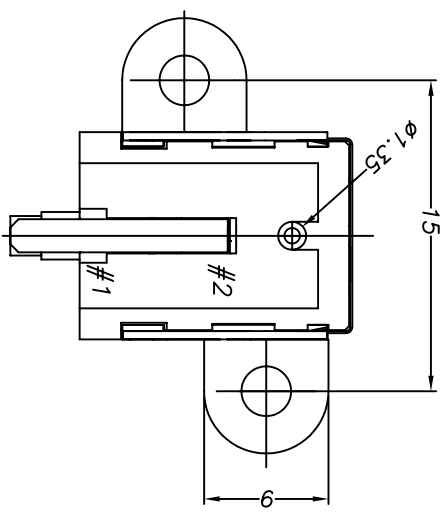
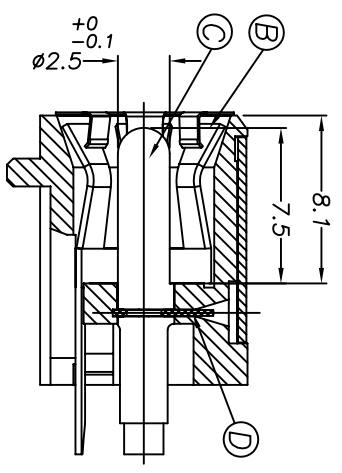
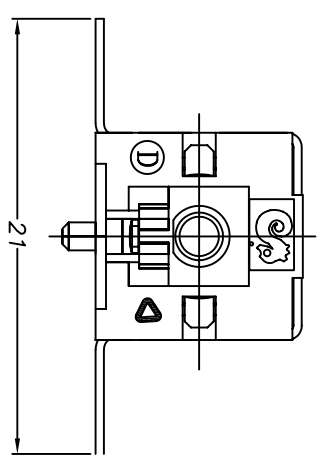
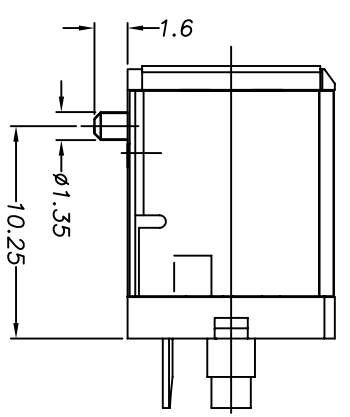
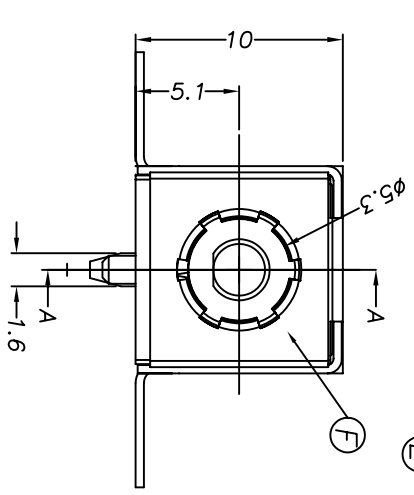
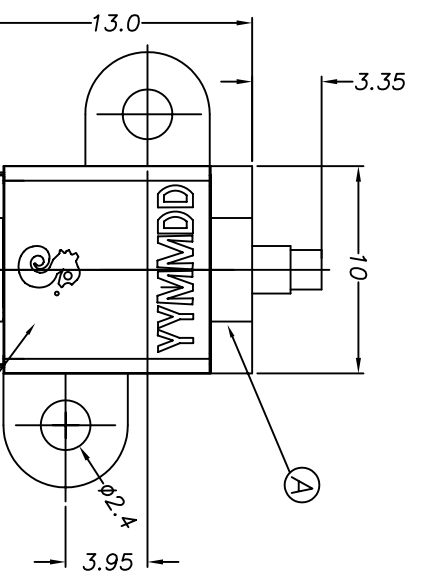


REV.	ECN NO.	OR DESCRIPTION	REVISED	DATE
A		PRODUCT RELEASE	BERYL	2006.6.20



ELECTRICAL CIRCUIT

NO	DESCRIPTION	QTY	MATERIAL	PLATING & COLOR
F	GROUND	1	SUS 304 0.15t	
E	SHELL	1	SPCC-SD 0.4t	NICKEL PLATING
D	TERMINAL	1	SUS 301 0.3t	
C	PIN	1	BRASS BAR	SILVER PLATING
B	SPRING	1	COPPER ALLOY 0.3t	TIN PLATING(Lead-free)
A	BODY	1	HIGH TEMP. THERMOPLASTIC UL 94V-0	BLACK COLOR

UNLESS OTHERWISE SPECIFIED TOLERANCES

DECIMALS: ANGLES:

X :±0.5 X :±2
 X.X :±0.3 X.X :±1'
 X.XX :±0.2

Singatron Enterprise Co., Ltd.
 信譽企業股份有限公司

TITLE: DC POWER JACK

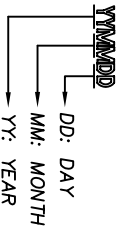
DWN: BERN 2006.6.20 PART NO. 2DC-G293-B02
 CHKD: BERY 2006.6.21 SCALE: 4/1 UNIT: mm
 APVD: MM 2006.6.22 SIZE: A3 SHEET: 1 OF 2 REV: A

CUSTOMER COPY

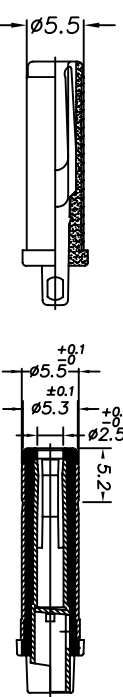
REV	ECN NO OR DESCRIPTION	REVISED	DATE
A	PRODUCT RELEASE	BERYL	2006.6.20

SPECIFICATIONS:

- 1.INSERTION FORCE: 2.5KG MAX
WITHDRAWAL FORCE: 1.0KG-2.5KG
- 2.INSULATION RESISTANCE BETWEEN ANY ADJACENT TERMINALS SHALL NOT BE LESS THAN 100 MEGOHMS BY 500 VOLTS MEGGER.
- 3.JACK SHALL WITHSTAND 250 VOLTS BETWEEN ANY ADJACENT TERMINAL FOR ONE MINUTE.
- 4.CONTACT RESISTANCE SHALL NOT EXCEED 20mΩ
- 5.JACK SHALL WITHSTAND 5,000 CYCLES OF INSERTION AND WITHDRAWAL WITH TESTING PLUG,AND CONTACT RESISTANCE SHALL NOT EXCEED 30mΩ
- 6.MEASURING CONDITION:
TEMPERATURE: FROM 5°C TO 35°C.
RELATIVE HUMIDITY: FROM 40% TO 85%
- 7.ENVIRONMENTAL SPECIFICATIONS:
7.1 HUMIDITY TEST: HUMIDITY 90% TO 95% TEMPERATURE 40°C ±2°C FOR 96 HOURS.
7.2 HEAT TEST: TEMPERATURE 70°C ± 2°C (HUMIDITY BELOW 50%) FOR 96 HOURS.
- 7.3 COLD TEST: TEMPERATURE -40°C ± 2°C FOR 96 HOURS.
- 8.PRINTED DATE CODE" **YMAAD**" ON TOP OF CONNECTOR.



9.RATING: DC 20V 7A 43uF AND DC 20V 10A 43uF DEPAND ON MATING PLUG DETAIL TYPE



- 10.TO CONFORM TO THE "SE-01-001" & "THE EUROPEAN RESTRICTIONS-ON HAZARDOUS SUBSTANCES (ROHS) DIRECTIVE"
- 11.GREEN PRODUCT IDENTIFICATION MARK IN JACK:
- 12.GREEN PRODUCT IDENTIFICATION LABEL IN PACKING: G.P. PASS
- 13.FOR LEAD FREE PROCESS.

NO	DESCRIPTION	QTY	MATERIAL	PLATING & COLOR
UNLESS OTHERWISE SPECIFED TOLERANCES				
DECIMALS:	ANGLES:			
X :±0.5	X :±2°			
X.X :±0.3	X.X :±1°			
X.XX :±0.2				
TITLE	DC POWER JACK			
DWN	REV 2006.6.20 PART NO. 2DC-G293-B02			
CHKD	BERYL 2006.6.21 SCALE:4/1 UNIT: mm			
APVD	MM 2006.6.22 SIZE: A3 SHEET:2 OF 2 REV: A			
CUSTOMER COPY				

A B C D E F

1 2 3 4 5 6 7 8