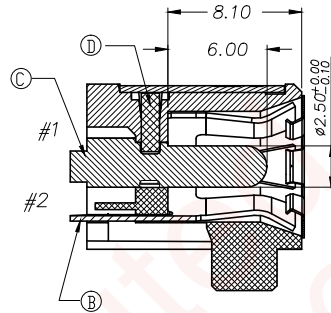
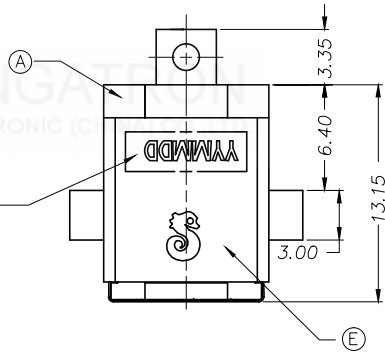
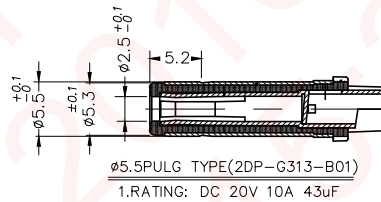
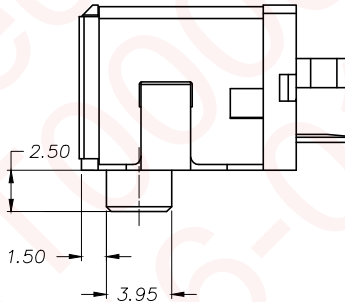
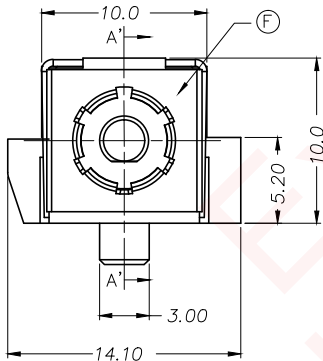


REV.	ECN NO OR DESCRIPTION	REVISED	DATE
A	PDR NO: T070906-1	BOYE.QI	10/11/07'
B	ECN NO: S081005	BOYE.QI	2008.11.24
C	ECN NO: S150941-E	YUREN	2015.12.11

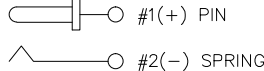
DATE CODE
YY : Year
MM : Month
DD : Day



SECTION A'-A'



SCHEMATIC



SPECIFICATIONS:

- INSERTION FORCE: 3.0KG MAX.
WITHDRAWAL FORCE: 1.0KG-3.0KG
- INSULATION RESISTANCE BETWEEN ANY ADJACENT TERMINALS SHALL NOT BE LESS THAN 100 MEGOHMS BY 500 VOLTS MEGGER.
- JACK SHALL WITHSTAND 250 VOLTS BETWEEN ANY ADJACENT TERMINAL FOR ONE MINUTE.
- CONTACT RESISTANCE SHALL NOT EXCEED 30mΩ
- JACK SHALL WITHSTAND 5,000 CYCLES OF INSERTION AND WITHDRAWAL WITH TESTING PLUG, AND CONTACT RESISTANCE SHALL NOT EXCEED 50mΩ
- MEASURING CONDITION:
TEMPERATURE: FROM 5°C TO 35°C.
RELATIVE HUMIDITY: FROM 40% TO 85%.
- ENVIRONMENTAL SPECIFICATIONS:
 - HUMIDITY TEST: HUMIDITY 90% TO 95% TEMPERATURE 40°C ±2°C FOR 96 HOURS.
 - HEAT TEST: TEMPERATURE 70°C ± 2°C (HUMIDITY BELOW 50%) FOR 96 HOURS.
 - COLD TEST: TEMPERATURE -40°C ± 2°C FOR 96 HOURS.
- TO CONFORM TO SINGATRON HAZARDOUS SUBSTANCE FREE SPEC.
- GREEN PRODUCT IDENTIFICATION MARK ON JACK:
- GREEN PRODUCT IDENTIFICATION LABEL ON PACKAGING: G.P. PASS
- FOR LEAD FREE PROCESS.

F	GROUND	1	STAINLESS STEEL ,T=0.15mm	N/A
E	SHIELDING	1	SPCC-SD T=0.4mm	Ni 60u" Min.
D	STOPPER	1	THERMOPLASTIC UL94V-0	NATURE
C	PIN	1	BRASS BAR	Ag 20u"Min .
B	SPRING	1	COPPER ALLOY ,T=0.3mm	Sn(Lead-free)60u" Min.
A	BODY	1	THERMOPLASTIC UL94V-0	BLACK
NO	DESCRIPTION	QTY	MATERIAL	PLATING & COLOR

UNLESS OTHERWISE SPECIFIED TOLERANCES

DECIMALS: ANGLES:
X :±0.5 X :±2°
X.X :±0.3 X.X :±1°
X.XX :±0.2

Singatron Enterprise Co., Ltd. 信音企業股份有限公司		TITLE		DC POWER JACK	
		DWN	YUREN	PART NO. 2DC-G233-B07	
CHKD	CERRY	SCALE: 4:1	UNIT: mm		
APVD	LIAO	SIZE: A3	SHEET: 1 OF 1		

CUSTOMER COPY