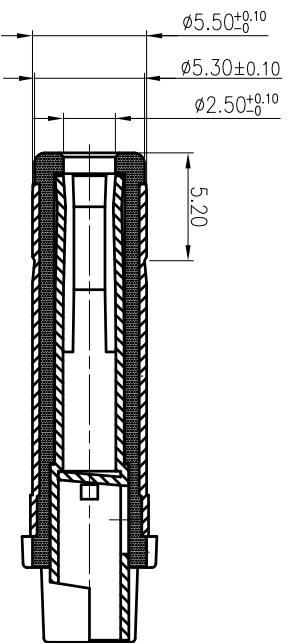
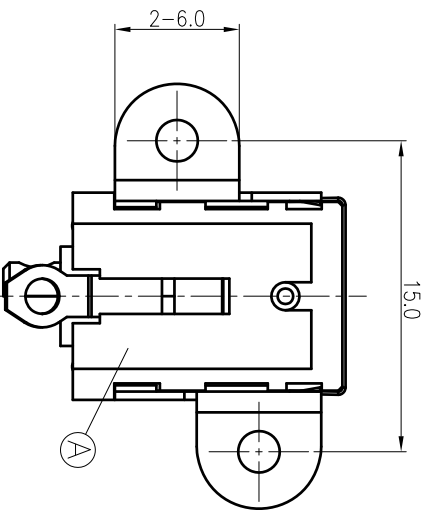
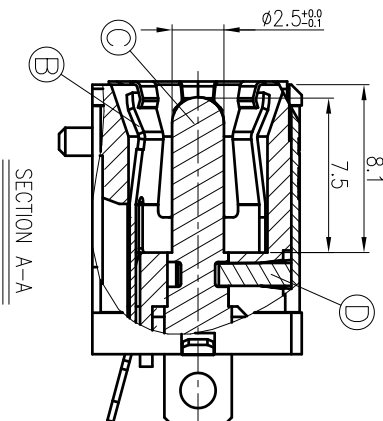
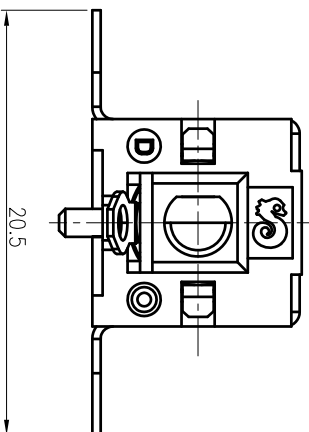
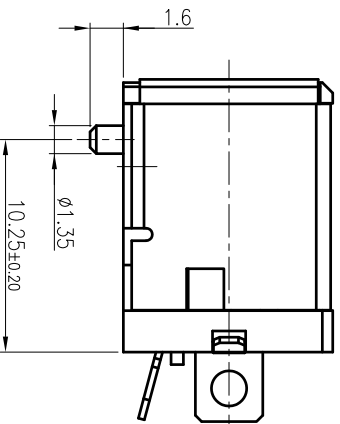
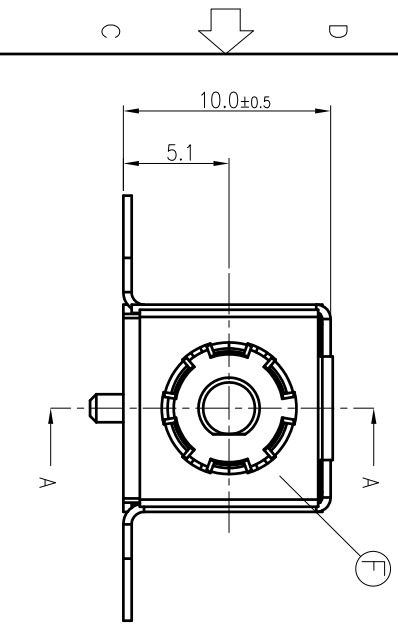
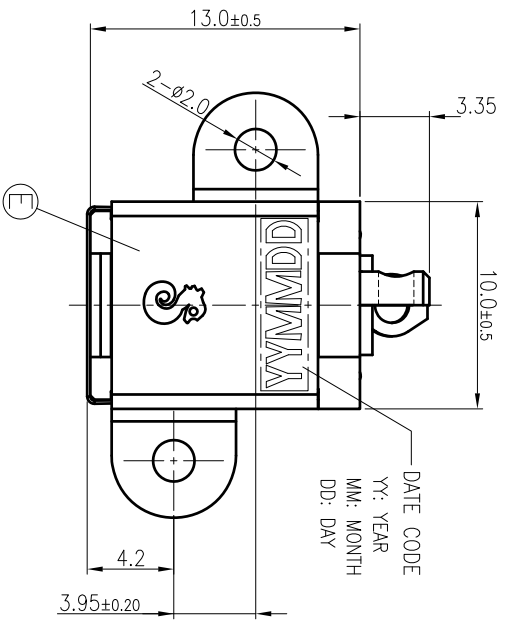
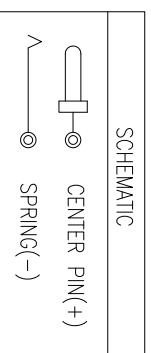


| REV. | ECN NO. | OR DESCRIPTION | REVISED | DATE |
|------|--------------------|----------------|------------|------|
| A. | PDR NO.1T00310-11A | JACK | 2010.07.23 | |

- SPECIFICATIONS:
1. ELECTRICAL CHARACTERISTICS:
- 1-1. RATING: DC 19V 9A MAX.
 - 1-2. CONTACT RESISTANCE: 30mΩ MAX. (INITIAL)
 - 1-3. DIELECTRIC WITHSTANDING VOLTAGE: 500V AC FOR ONE MINUTE.
 - 1-4. INSULATION RESISTANCE: 100MΩ MIN. MEASURED BY 500V DC.
2. MECHANICAL CHARACTERISTICS:
- 2-1. INSERTION FORCE: 0.5kgf~3.5kgf.
 - 2-2. WITHDRAWAL FORCE: 0.5kgf~3.5kgf.
 - 3. LIFE TEST: 5000 CYCLES MIN.
 - 4. OTHER GENERAL SPEC. TO REFER "2DC-G233 Series SPEC".
 - 5. TO CONFORM TO SINGATRON HAZARDOUS SUBSTANCE FREE SPEC.
 - 6. HALOGEN FREE PRODUCT IDENTIFICATION MARK ON JACK:
 - 7. HALOGEN FREE PRODUCT IDENTIFICATION LABEL ON PACKAGING:



| NO | DESCRIPTION | QTY | MATERIAL | PLATING & COLOR |
|----|-------------|-----|----------------------------------|----------------------------|
| F | GROUND | 1 | STAINLESS 0.15T | N/A |
| E | SHELL | 1 | SPCC-SD 0.4T | Ni60u"Min. Over Cu80u" |
| D | STOPPER | 1 | HIGH TEMP. THERMOPLASTIC J194H-0 | BLACK |
| C | PIN | 1 | BRASS BAR | Gold Flash Over Ni 50u"Min |
| B | SPRING | 1 | COPPER ALLOY 0.3T | Ag 20u"Min Over Ni 50u"Min |
| A | BODY | 1 | HIGH TEMP. THERMOPLASTIC J194H-0 | BLACK |

UNLESS OTHERWISE SPECIFIED TOLERANCES

| DECIMALS: | ANGLES: |
|-------------|-----------|
| X : ±0.5 | X : ±2° |
| X.X : ±0.3 | X.X : ±1° |
| X.XX : ±0.2 | |

| TITLE | DC POWER JACK(For NEC) |
|-------------------------------|------------------------|
| DWM | JACK |
| CHKD | QUAN |
| APVD | MAX |
| PART NO. 2DC-G233-B37 | |
| SCALE 4:1 UNIT: mm | |
| SIZE: A3 SHEET: 1 OF 1 REV: A | |

Singatron Enterprise Co., Ltd.
信譽企業股份有限公司

CUSTOMER COPY