

REV.	ECN NO.	OR DESCRIPTION	REVISED	DATE
A	PDR NO.110329-1A		YANG	2011.06.08
B	ECN NO.S110712		YANG	2011.08.22
C	ECN NO.S120558		ANDY	2012.06.12

**SPECIFICATIONS:**

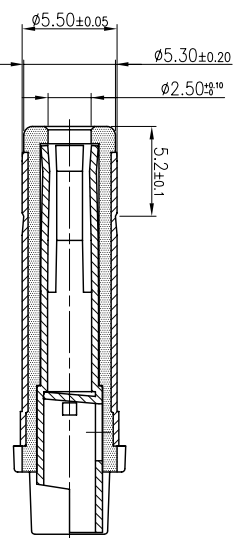
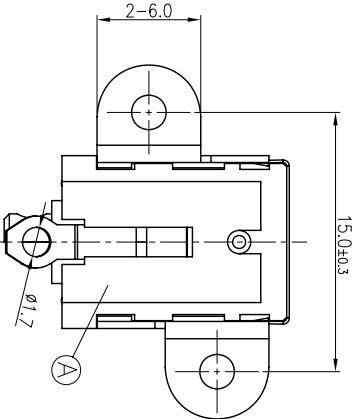
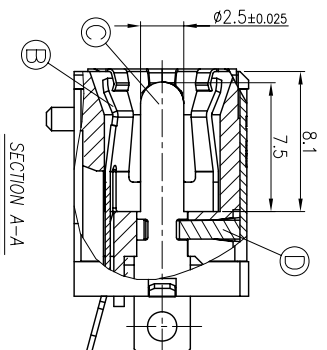
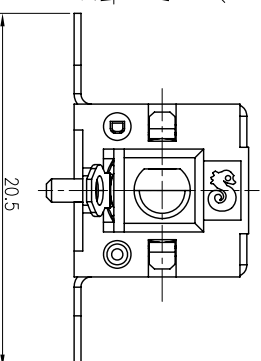
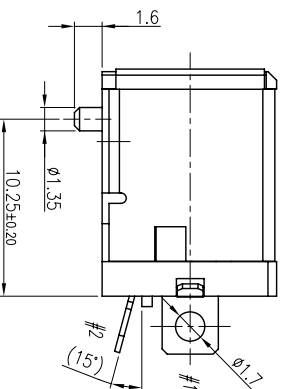
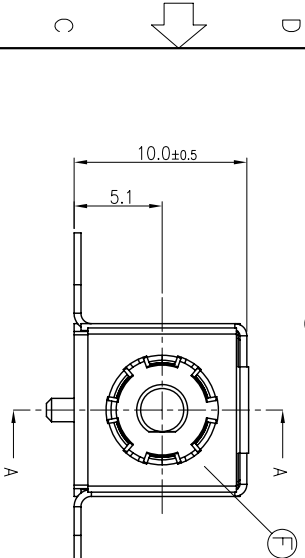
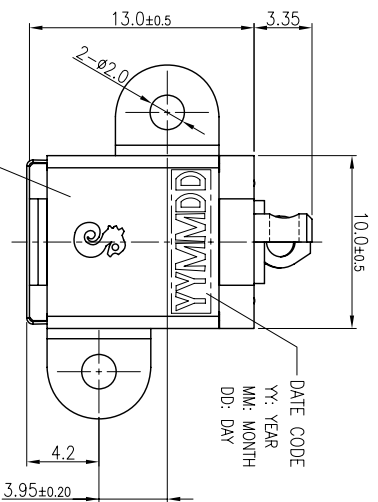
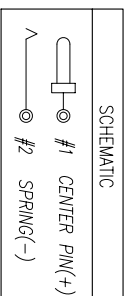
**1.ELECTRICAL CHARACTERISTICS:**

- 1-1.RATING:DC 20 V 10 A MAX.
- 1-2.CONTACT RESISTANCE:30mΩ MAX.(INITIAL)
- 1-3.DIELECTRIC WITHSTANDING VOLTAGE:500V AC FOR ONE MINUTE.
- 1-4.INSULATION RESISTANCE:100MΩ MIN. MEASURED BY 500V DC.

**2.MECHANICAL CHARACTERISTICS:**

- 2-1.INSERTION FORCE: 3.0kgfMAX.
- 2-2.WITHDRAWAL FORCE: 1.0kgf~3.0kgf (INITIAL),0.5kgf~2.5kgf(AFTER LIFE TEST)
- 3.LIFE TEST:10000 CYCLES MIN.

- 4.OTHER GENERAL SPEC. TO REFER "2DC-G233-B41F SPEC".
- 5.TO CONFORM TO SINGATRON HAZARDOUS SUBSTANCE FREE SPEC.
- 6.HALOGEN FREE PRODUCT IDENTIFICATION MARK ON JACK:
- 7.HALOGEN FREE PRODUCT IDENTIFICATION LABEL ON PACKAGING:



NO	DESCRIPTION	QTY	MATERIAL	PLATING & COLOR
F	GROUND	1	STAILESS 0.15T	N/A
E	SHELL	1	SPCC-SD 0.4T	Ni 60u" OVER Cu 80u"
D	STOPPER	1	HIGH TEMP. THERMOPLASTIC J194V-0	BLACK
C	PIN	1	BRASS BAR	GOLD FLASH OVER Ni 50u"
B	SPRING	1	COPPER ALLOY 0.3T	Ag 20u" OVER Ni 50u"
A	BODY	1	THERMOPLASTIC J194V-0	BLACK

UNLESS OTHERWISE SPECIFIED TOLERANCES

DC POWER JACK(FOR NEC)

Singatron Enterprise Co., Ltd.  
信亨企業股份有限公司

TITLE: DC POWER JACK(FOR NEC)  
PART NO. 2DC-G233-B41F

CHKD: TOM SCALE 4:1 UNIT: mm  
APVD: TONY SIZE: A3 SHEET: 1 OF 1 REV: C

CUSTOMER COPY

A B C D E F

1 2 3 4 5 6 7 8