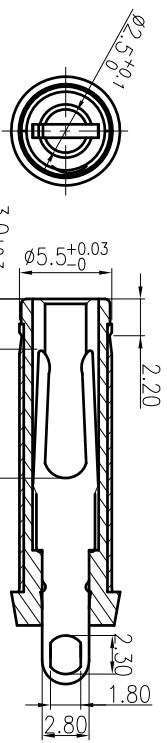
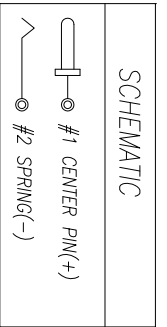
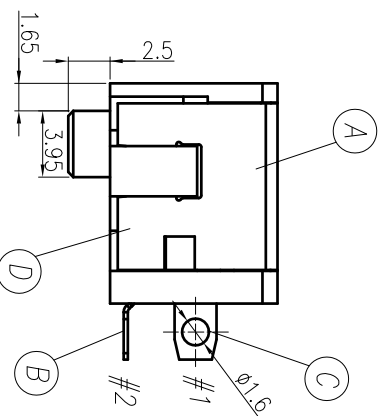
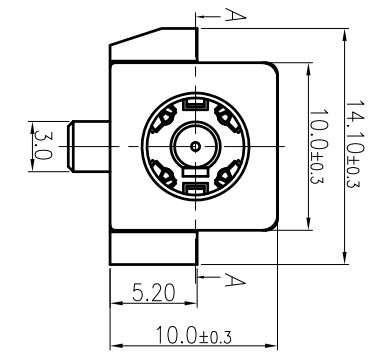
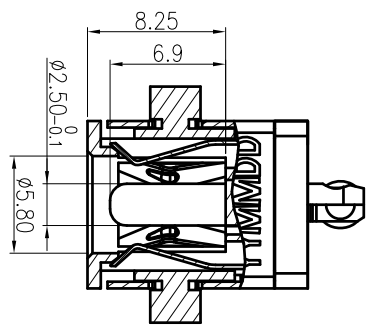
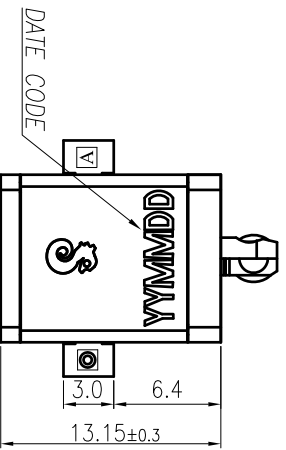


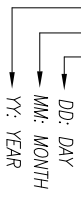
REV.	ECN NO. OR DESCRIPTION	REVISED	DATE
A	PDR NO.:T110913-1A	Summer	2012.04.09



MATING PLUG
 零件 P/N: 5525TMM250-1123-02

SPECIFICATIONS:

- ELECTRICAL CHARACTERISTICS:
 - RATING: DC 20V 7A
 - CONTACT RESISTANCE: 30mΩ MAX.(INITIAL)
 - DIELECTRIC WITHSTANDING VOLTAGE: 500V AC FOR ONE MINUTE.
 - INSULATION RESISTANCE: 100MΩ MIN. MEASURED BY 500 VDC
- MECHANICAL CHARACTERISTICS:
 - INSERTION FORCE : 10-25N
 - WITHDRAWAL FORCE : 10-25N(INITIAL),5-30N(AFTER LIFE TEST)
 - LIFE TEST: 10,000 CYCLES MIN.
 - OTHER GENERAL SPEC. TO REFER "GENERAL SPECTION FOR DC POWER JACK".
 - TO CONFORM TO SINGATRON HAZARDOUS SUBSTANCE FREE SPEC.
 - HALOGEN FREE PRODUCT IDENTIFICATION MARK ON JACK:
 - HALOGEN FREE PRODUCT IDENTIFICATION LABEL ON PACKAGING:
 - PRINTED DATE CODE "YYMMDD" ON TOP OF CONNECTOR.



D	SHIELDING	1	SPCC-SD 0.4T	Ni 60u" OVER CU80u"
C	CENTER PIN	1	BRASS	Ni 60u"
B	SPRING	1	COPPER ALLOY 0.25T	Sn 120u"OVER Ni 50u"
A	BODY	1	THERMOPLASTIC UL94V-0	BLACK
NO	DESCRIPTION	QTY	MATERIAL	PLATING & COLOR
UNLESS OTHERWISE SPECIFIED TOLERANCES				
Singatron Enterprise Co., Ltd. 信音企業股份有限公司				
DECIMALS: ANGLES:				
X	:±0.5	X	:±2°	
X.X	:±0.3	X.X	:±1°	
X.XX	:±0.2			
TITLE: DC POWER JACK				
DWN	Summer	PART NO.	2DC-G233-B48F	
CHKD	Sky	SCALE	1:1 UNIT: mm	
APVD	Lussen	SIZE:	A3	SHEET: 1 OF 1 REV: A
CUSTOMER COPY				

1 2 3 4 5 6 7 8