

REV.	ECN NO OR DESCRIPTION	REVISED	DATE
A	PDR NO.T120223-1A	Ron	2012.03.13
B	ECN NO.S202311-C13	XIAO	2023.12.26

SPECIFICATIONS:

1.ELECTRICAL CHARACTERISTICS:

- 1-1.RATING:DC 20 V 10 A MAX.
- 1-2.CONTACT RESISTANCE:30mΩ MAX.(INITIAL)
- 1-3.DIELECTRIC WITHSTANDING VOLTAGE:500V AC FOR ONE MINUTE.
- 1-4.INSULATION RESISTANCE:100MΩ MIN. MEASURED BY 500V DC.

2.MECHANICAL CHARACTERISTICS:

- 2-1.INSERTION FORCE: 3.0 Kgf MAX.
- 2-2.WITHDRAWAL FORCE: 1.0Kgf~3.0Kgf.(INITIAL),0.5Kgf~2.5Kgf(AFTER LIFE TEST)

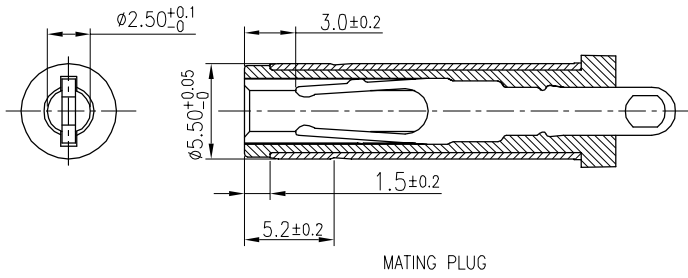
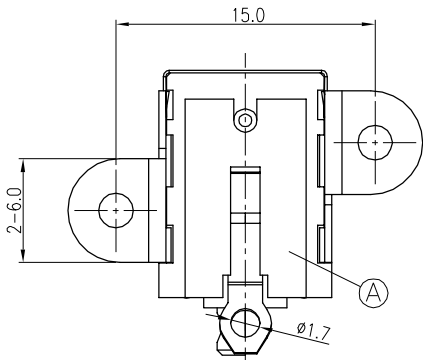
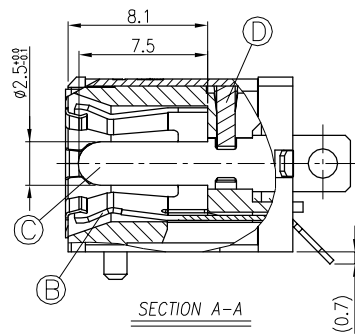
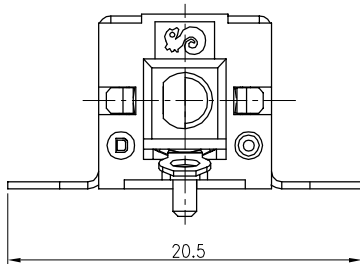
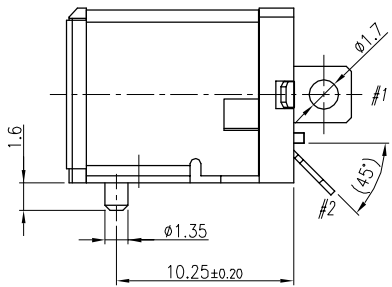
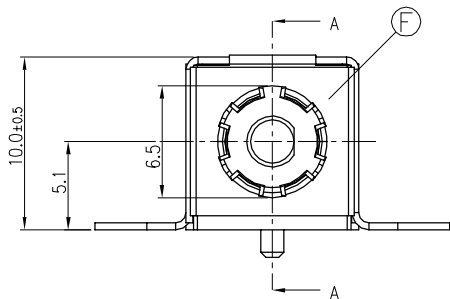
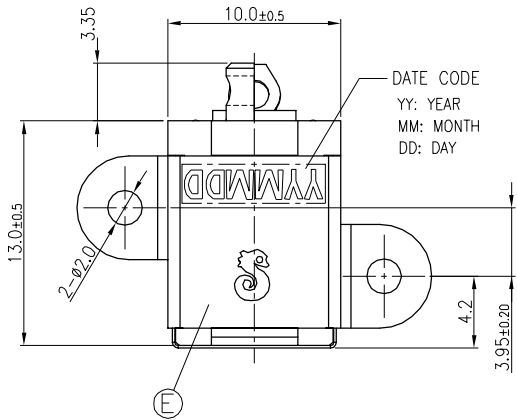
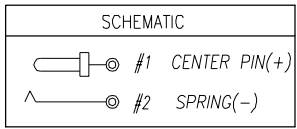
3.LIFE TEST:10000 CYCLES MIN.

4.OTHER GENERAL SPEC. TO REFER "2DC-G233-B41F SPEC".

5.TO CONFORM TO SINGATRON HAZARDOUS SUBSTANCE FREE SPEC.

6.HALOGEN FREE PRODUCT IDENTIFICATION MARK ON JACK:

7.HALOGEN FREE PRODUCT IDENTIFICATION LABEL ON PACKAGING:



NO	DESCRIPTION	QTY	MATERIAL	PLATING & COLOR
F	GROUND	1	STAINLESS 0.15T	N/A
E	SHELL	1	SPCC-SD 0.4T	Ni60u"MIN. OVER Cu80u"
D	STOPPER	1	HIGH TEMP.THERMOPLASTIC ,UL94V-0	BLACK
C	PIN	1	BRASS BAR	GOLD FLASH OVER Ni 50u"MIN
B	SPRING	1	COPPER ALLOY 0.3T	Ag 20u"MIN OVER Ni 50u"MIN
A	BODY	1	HIGH TEMP. THERMOPLASTIC ,UL94V-0	BLACK

UNLESS OTHERWISE SPECIFIED TOLERANCES

Singatron Enterprise Co., Ltd.
 信普企業股份有限公司

DECIMALS:	ANGLES:	TITLE	DC POWER JACK		
X : ±0.5	X : ±2°	DWN	XIAO	PART NO. 2DC-G233-B53F	
X.X : ±0.3	X.X : ±1°	CHKD	ALLEN	SCALE 4:1	UNIT: mm
X.XX : ±0.2		APVD	BOYE	SIZE: A3	SHEET: 1 OF 1 REV: B

CUSTOMER COPY