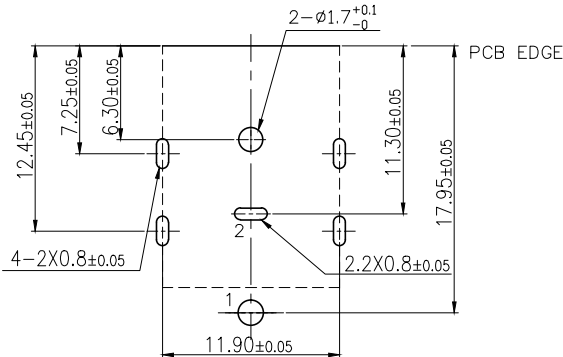
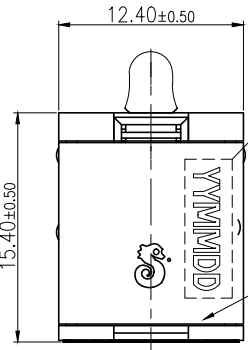
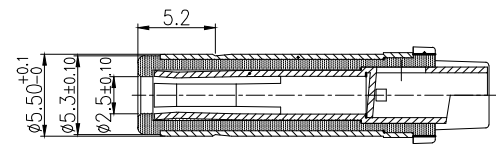
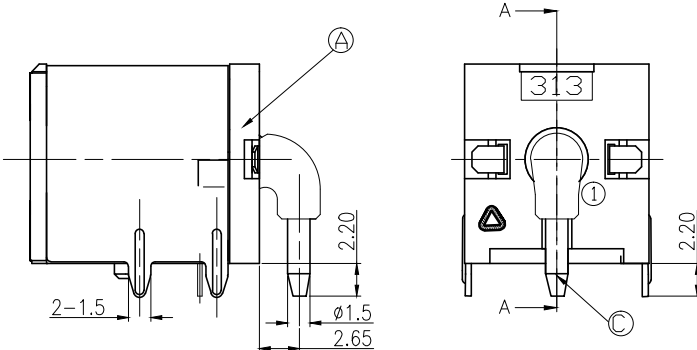
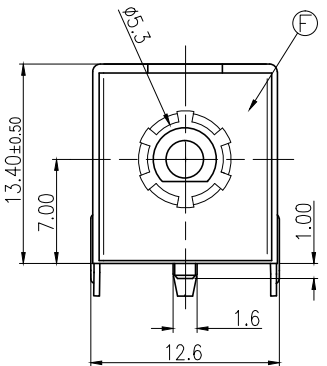


REV.	ECN NO OR DESCRIPTION	REVISED	DATE
E	ECN:C150051 MODIFY DRAWING	CAOCHEN	2015.06.19
F	ECN:C150093 MODIFY DRAWING	CAOCHEN	2015.09.14
G	ECN NO:S160101-R	YUREN	2016.06.28
H	ECN NO:S160506-Q	YUREN	2016.07.24

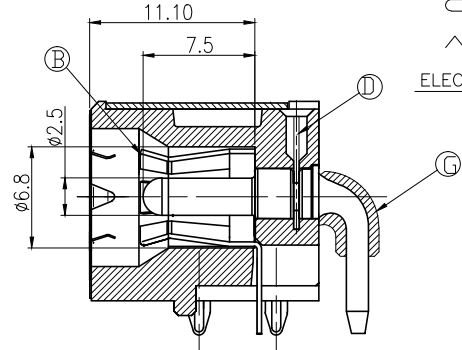
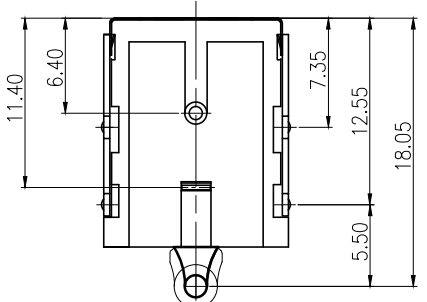
- SPECIFICATIONS:
- 1.RATING: DC 30V 10A
 - 2.INSERTION FORCE: 2.5Kg MAX.
WITHDRAWAL FORCE: 1.0Kg~2.5Kg
 - 3.INSULATION RESISTANCE BETWEEN ANY ADJACENT TERMINALS SHALL NOT BE LESS THAN 100 MEGOHMS BY 500 VOLTS MEGGER.
 - 4.JACK SHALL WITHSTAND 250 VOLTS BETWEEN ANY ADJACENT TERMINAL FOR ONE MINUTE.
 - 5.CONTACT RESISTANCE (INITIAL) SHALL NOT EXCEED 30mΩ
CONTACT RESISTANCE (AFTER LIFE TEST) SHALL NOT EXCEED 30mΩ
ABOVE MUST USE 2DP-G313-B01 PLUG
 - 6.MEASURING CONDITION:
TEMPERATURE: FROM 5°C TO 35°C.
RELATIVE HUMIDITY: FROM 40% TO 85%.
 - 7.ENVIRONMENTAL SPECIFICATIONS:
 - 7.1 HUMIDITY TEST: HUMIDITY 90% TO 95% TEMPERATURE 40°C ±2°C FOR 96 HOURS.
 - 7.2 HEAT TEST: TEMPERATURE 70°C ± 2°C (HUMIDITY BELOW 50%) FOR 96 HOURS.
 - 7.3 COLD TEST: TEMPERATURE -40°C ± 2°C FOR 96 HOURS.
 - 8.MATING PLUG : SINGATRON'S P/N : 2DP-G313-B01(PLUG SET)
 - 9.PACKING: TAPE & REEL
 - 10.TO CONFORM TO SINGATRON HAZARDOUS SUBSTANCE FREE SPEC.
 - 11.GREEN PRODUCT IDENTIFICATION MARK IN JACK:
 - 12.GREEN PRODUCT IDENTIFICATION LABEL IN PACKING: **G.P. PASS**
 - 13.FOR REFLOW SOLDERING LEAD-FREE PROCESS.



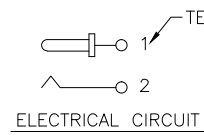
RECOMMENDED P.C.B LAYOUT
SOLDERING SIDE



φ5.5 PULG(2DP-G313-B01)



A - A SECTION



ELECTRICAL CIRCUIT

NO	DESCRIPTION	QTY	MATERIAL	PLATING & COLOR
G	HEAT SHRINKABLE TUBE	1	POLYOLEFIN φ3.2*L5	BLACK COLOR
F	GROUNDING	1	STAINLESS STEEL 0.1t	
E	SHIELDING	1	SPCC-SD 0.4t	可焊NI
D	TERMINAL	1	STAINLESS STEEL 0.3t	
C	PIN	1	BRASS BAR	SILVER PLATING
B	TIP	1	COPPER ALLOY 0.3t	TIN PLATING
A	BODY	1	HIGH TEMP. THERMOPLASTIC	BLACK COLOR

UNLESS OTHERWISE SPECIFIED TOLERANCES		SINGATRON ENTERPRISE CO., LTD. 信音企業股份有限公司	
DECIMALS:	ANGLES:	TITLE SHELL	
X :±0.5	X :±2°	DWN	YUREN PART NO. 2DC-G313-B03
X.X :±0.3	X.X :±1°	CHKD	CERRY SCALE 1:1 UNIT: mm
X.XX :±0.2		APVD	LIAO SIZE: A3 SHEET: 10F1 REV: H
CUSTOMER COPY			