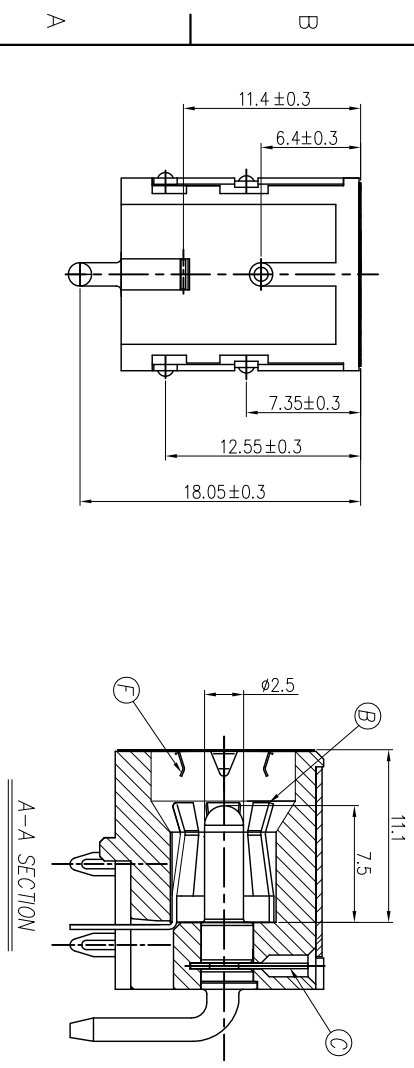
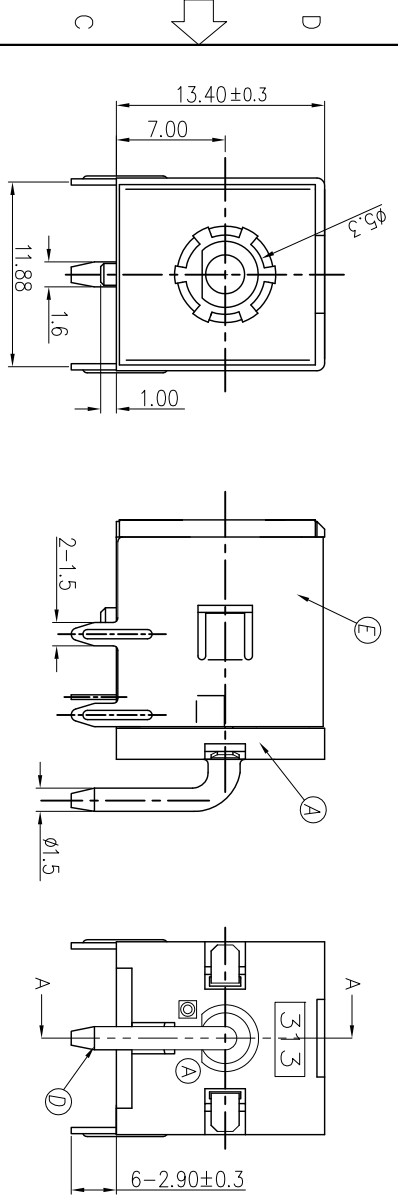
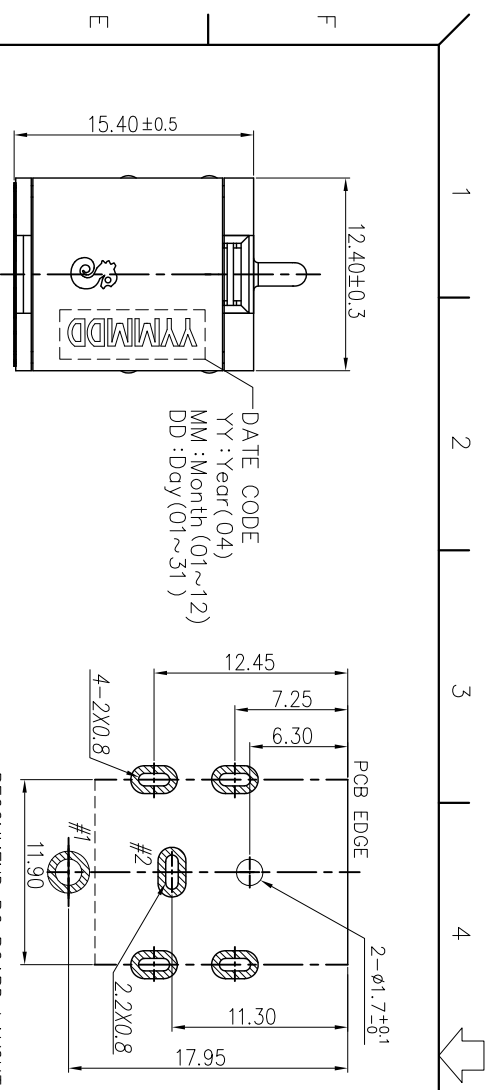
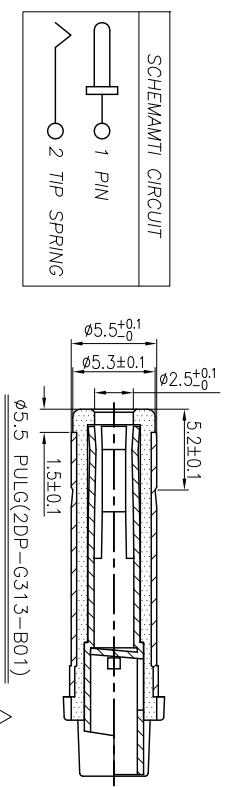


REV.	ECN NO.	OR DESCRIPTION	REVISED	DATE
A		PRODUCT RELEASE	BILL	2010.09.23
B		ECN:C140130 MODIFY PLATING	CAOCHEN	2014.07.01



- SPECIFICATIONS:
- ELECTRICAL CHARACTERISTICS:
 - RATING: 20V 10A
 - CONTACT RESISTANCE: 6mΩ MAX (INITIAL)
 - DIELECTRIC WITHSTANDING VOLTAGE: 500V AC FOR ONE MINUTE.
 - CONTACT RESISTANCE (AFTER LIFE TEST) SHALL NOT EXCEED 6mΩ
 - ABOVE MUST USE 2DP-G313-B01 PLUG
 - MECHANICAL CHARACTERISTICS:
 - INSERTION FORCE : 2.5 KGF MAX.
 - WITHDRAWAL FORCE : 1.0~2.5KGF.
 - LIFE TEST: 5,000 CYCLES MIN.
 - OTHER GENERAL SPEC. TO REFER "2DC-G313 SPEC".
 - TO CONFORM TO SINGATRON HAZARDOUS SUBSTANCE FREE SPEC.
 - HALOGEN FREE PRODUCT IDENTIFICATION MARK ON JACK: ◎
 - HALOGEN FREE PRODUCT IDENTIFICATION LABEL ON PACKAGING: ◎
 - FOR REFLOW SOLDERING LEAD-FREE PROCESS.
 - PACKAGING: TAPE & REEL.



NO	DESCRIPTION	QTY	MATERIAL	PLATING & COLOR
F	GROUNDING	1	STAINLESS 0.1t	
E	SHIELD	1	SPCC-SD 0.4t	TIN(Lead-free) PLATING
D	TERMINAL	1	STAINLESS 0.1t	
C	PIN	1	BRASS BAR	SILVER PLATING
B	TIP	1	COPPER ALLOY 0.3t	TIN PLATING
A	BODY	1	HIGH THERMAL PLASTIC UL 94V-0	BLACK COLOR

UNLESS OTHERWISE SPECIFIED TOLERANCES

TITLE	DC POWER JACK
DWG	Part No. 2DC-G313-B08
CHKD	SCALE 3:1 UNIT: mm
APVD	SIZE: A3 SHEET: 10F1 REV: B

CUSTOMER COPY