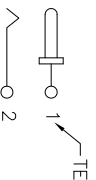
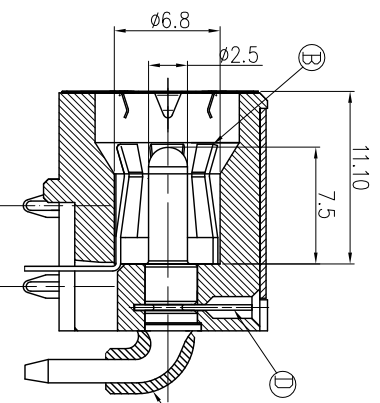
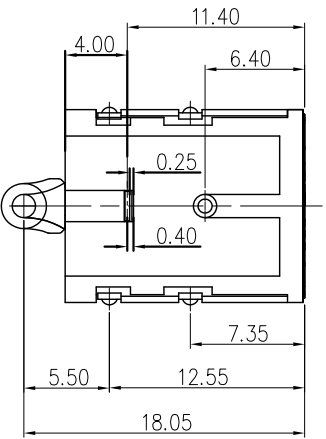
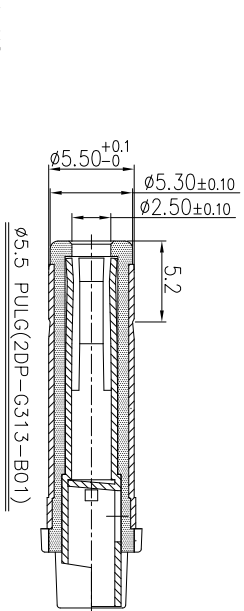
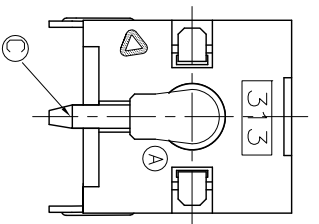
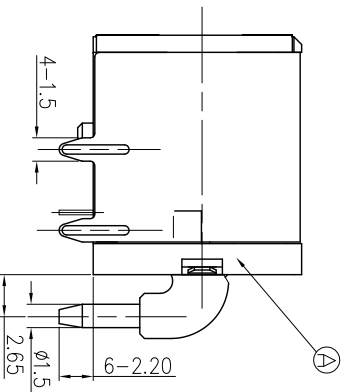
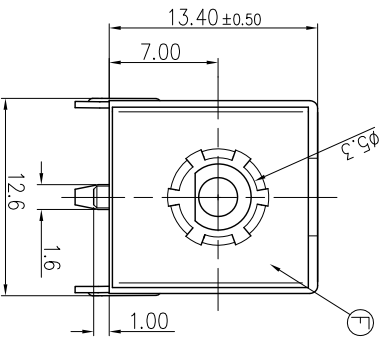
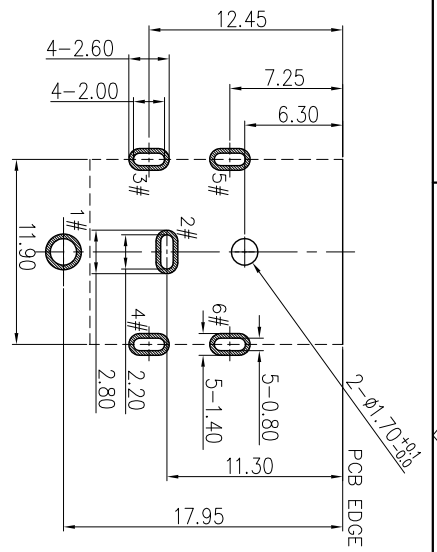
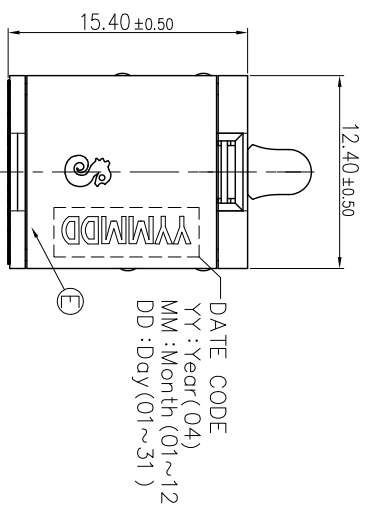


| REV. | ECN NO OR DESCRIPTION | REVISED | DATE |
|------|----------------------------|---------|------------|
| A | PRODUCT RELEASE | ZLS | 2014.04.11 |
| B | ECN:0140130 MODIFY PLATING | CAOCHEN | 2014.07.01 |



- SPECIFICATIONS:
- ELECTRICAL CHARACTERISTICS:
 - 1-1. RATING: DC 30V, 10A.
 - 1-2. CONTACT RESISTANCE: 30 MILLIOHMS Max. FOR INITIAL, 50 MILLIOHMS Max. AFTER 5000 CYCLES.
 - 1-3. INSULATION RESISTANCE: 100 MEGAOHMS Min. BY 500V DC AFTER 1 MINUTE.
 - 1-4. DIELECTRIC WITHSTANDING VOLTAGE: 500V RMS AFTER 1 MINUTE.
 - MECHANICAL CHARACTERISTICS:
 - 2-1. INSERTION FORCE: 2.5 KGF MAX
 - 2-2. WITHDRAWAL FORCE: 1.0~2.5 KGF
 - LIFE TEST: 5,000 CYCLES MIN.
 - OTHER GENERAL SPEC. TO REFER "ZDC-G313 SERIES SPEC".
 - TO CONFORM TO SINGATRON HAZARDOUS SUBSTANCE FREE SPEC.
 - GREEN PRODUCT IDENTIFICATION MARK IN JACK.
 - GREEN PRODUCT IDENTIFICATION LABEL IN PACKING: **G.P. PASS**
 - FOR REFLOW SOLDERING LEAD-FREE PROCESS.
 - PACKAGING: TAPE&REEL

| NO | DESCRIPTION | QTY | MATERIAL | PLATING & COLOR |
|---------------------------------------|------------------------|-----|---------------------------------|-----------------|
| G | HEAT SHRINKABLE TUBING | 1 | POLYOLEFIN 3.2 ϕ | BLACK |
| F | GROUNDING | 1 | STAINLESS 0.1t | |
| E | SHIELDING | 1 | SPCC-SD 0.4t | TIN PLATING |
| D | TERMINAL | 1 | STAINLESS 0.1t | |
| C | PIN | 1 | BRASS BAR | SILVER PLATING |
| B | TIP | 1 | COPPER ALLOY 0.3t | TIN PLATING |
| A | BODY | 1 | HIGH TEMP THERMOPLASTIC UL94V-0 | BLACK |
| NO | DESCRIPTION | QTY | MATERIAL | PLATING & COLOR |
| UNLESS OTHERWISE SPECIFIED TOLERANCES | | | | |

Singatron Enterprise Co., Ltd.
信晉企業股份有限公司

D.C POWER JACK

| TITLE | PART NO. | SCALE | UNIT | REV. |
|----------------|---------------|-------|------|------|
| D.C POWER JACK | ZDC-G313-B09H | 3:1 | MM | B |

APVD: 14/7/2 SIZE: A3 SHEET: 10/1

A - A' SECTION