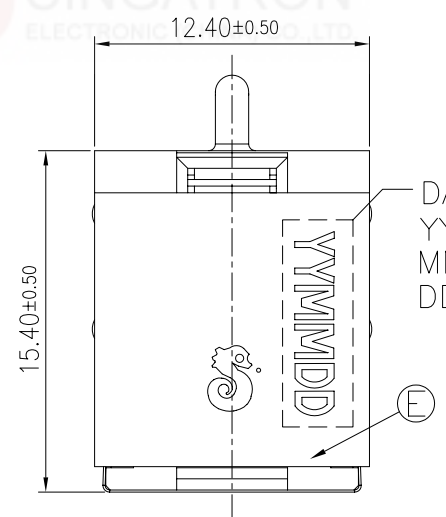
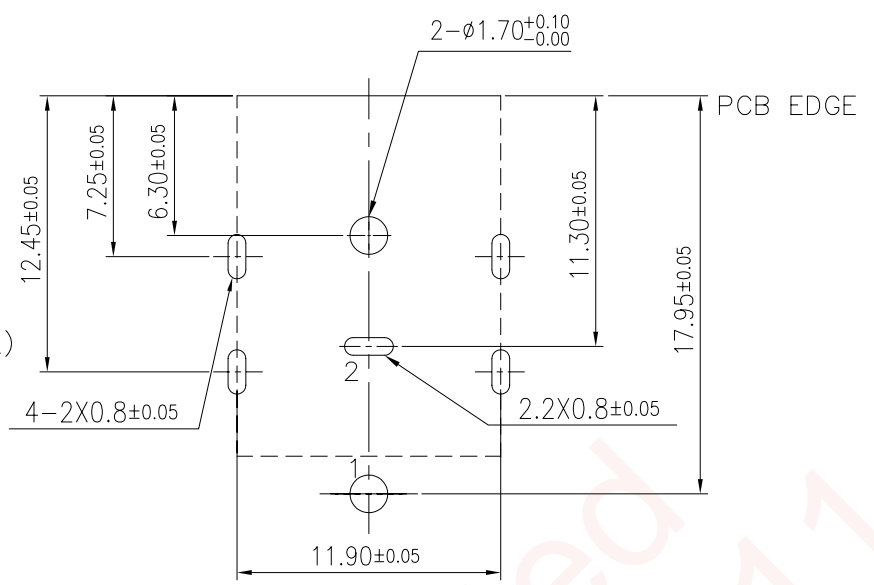




REV.	ECN NO OR DESCRIPTION	REVISED	DATE
A	PRODUCT RELEASE	Kermit	2014.09.03
B	ECN:C150096 ADD PLATING	CHEN	2015.07.15
C	ECN:C150093 MODIFY DRAWING	CHEN	2015.07.15

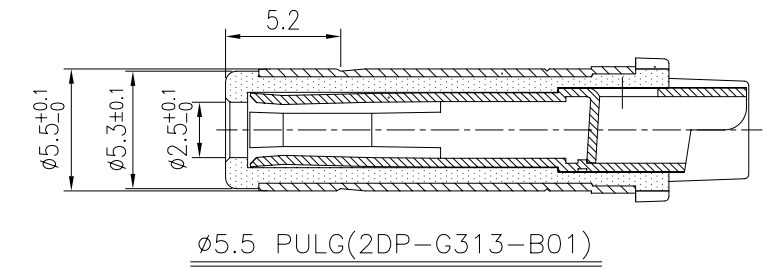
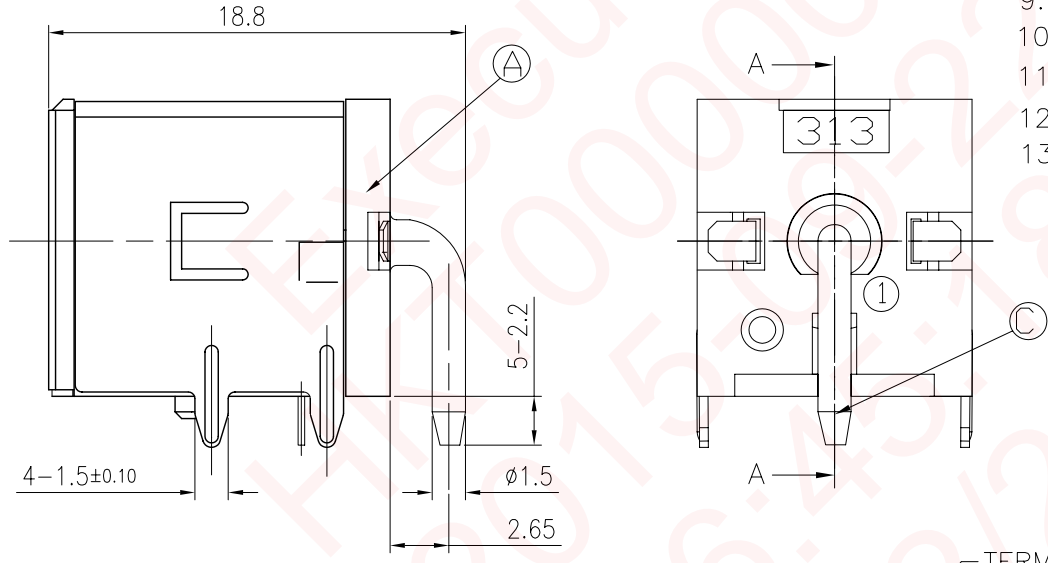
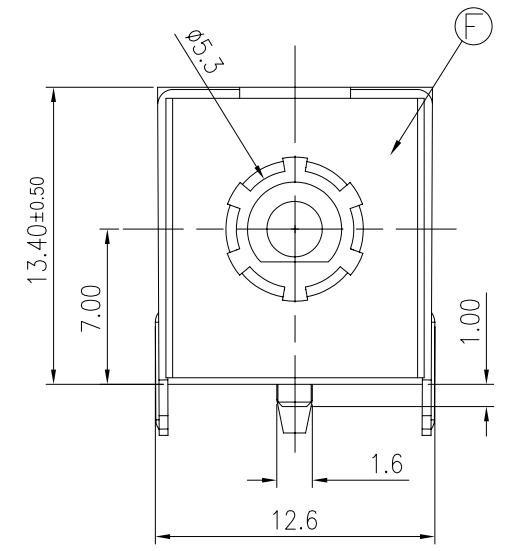


DATE CODE
 YY: Year (04
 MM: Month 01~12)
 DD: Day (01~31)

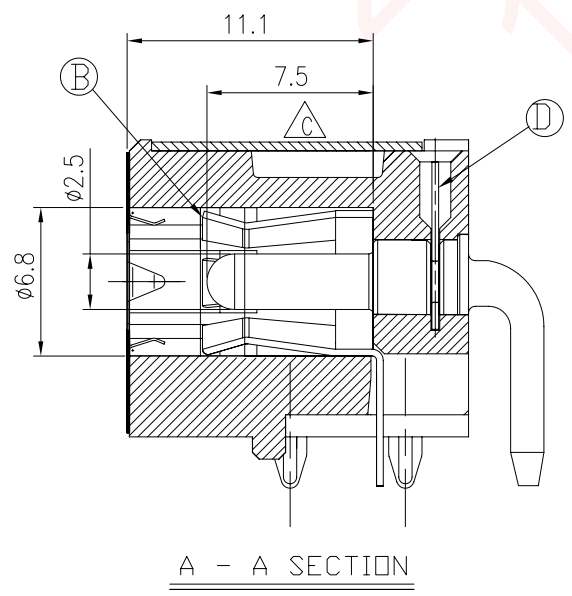
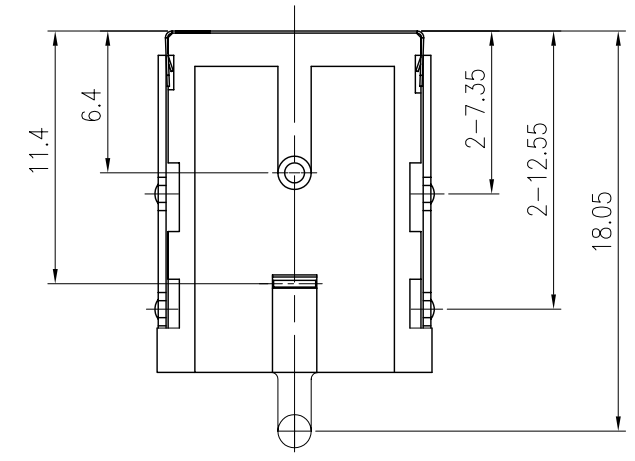


RECOMMENDED P.C.B LAYOUT
 SOLDERING SIDE

- SPECIFICATIONS:
- RATING: DC 20V 10A
 - INSERTION FORCE: 2.5Kg MAX.
WITHDRAWAL FORCE: 1.0Kg~2.5Kg
 - INSULATION RESISTANCE BETWEEN ANY ADJACENT TERMINALS SHALL NOT BE LESS THAN 100 MEGOHMS BY 500V DC.
 - JACK SHALL WITHSTAND 500V AC BETWEEN ANY ADJACENT TERMINAL FOR ONE MINUTE.
 - CONTACT RESISTANCE (INITIAL) SHALL NOT EXCEED 30mΩ
CONTACT RESISTANCE (AFTER LIFE TEST) SHALL NOT EXCEED 30mΩ WHEN MATING 2DP-G313-B01 PLUG
 - MEASURING CONDITION:
TEMPERATURE: FROM 5°C TO 35°C.
RELATIVE HUMIDITY: FROM 40% TO 85%.
 - HUMIDITY TEST: HUMIDITY: 90% TO 95%, TEMPERATURE: 25~65°C FOR 96 HOURS.
 - TEMPERATURE LIFE TEST: TEMPERATURE 85°C ± 2°C FOR 96 HOURS.
 - MATING PLUG : SINGATRON'S P/N : 2DP-G313-B01(PLUG SET)
 - TO CONFORM TO SINGATRON HAZARDOUS SUBSTANCE FREE SPEC.
 - HALOGEN FREE PRODUCT IDENTIFICATION MARK ON PRODUCT: Ⓞ
 - HALOGEN FREE PRODUCT IDENTIFICATION LABEL ON PACKAGING: Ⓞ
 - PACKING: TAPE & REEL



∅5.5 PULG(2DP-G313-B01)



A - A SECTION

NO	DESCRIPTION	QTY	MATERIAL	PLATING & COLOR
F	GROUNDING	1	SUS 304 0.1T	N/A
E	SHIELD	1	SPCC-SD 0.4T	高週波:Sn(Lead-free)光澤 60u"Min,Ni底 50u"Min,Cu底60u"Min.(耐高週260度)
D	TERMINAL	1	SUS 301 0.3T	N/A
C	PIN	1	BRASS BAR	Ag 20u" Min,Ni 20u" Min.
B	TIP	1	C5210-H 0.3T	Sn(Lead-free)光澤 60u"Min,Ni底50u"Min.
A	BODY	1	PA10T+30%GF UL 94V-0	BLACK COLOR

UNLESS OTHERWISE SPECIFIED TOLERANCES		Singatron Enterprise Co., Ltd. 信音企業股份有限公司		
DECIMALS:	ANGLES:	TITLE	DC POWER JACK	
X :±0.5	X :±2°	DWN	PART NO. 2DC-G313-B10F	
X.X :±0.3	X.X :±1°	CHKD	SCALE 3:1	UNIT: mm
X.XX :±0.2		APVD	SIZE: A3	SHEET: 10F1
REV: C				
CUSTOMER COPY				