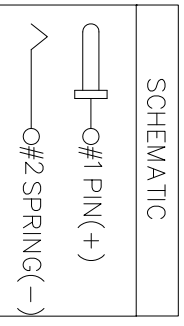
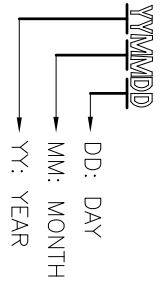
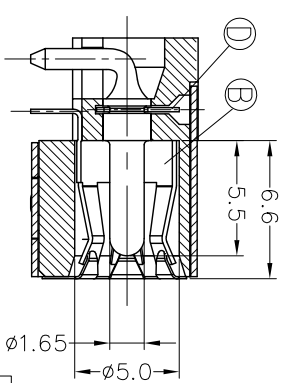
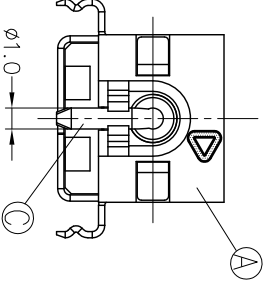
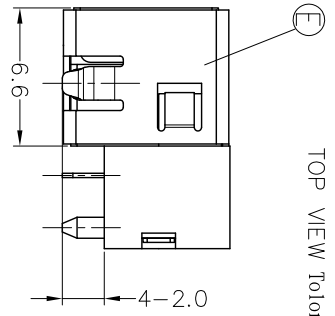
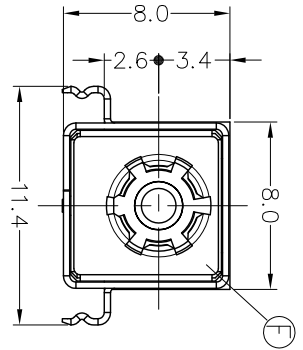
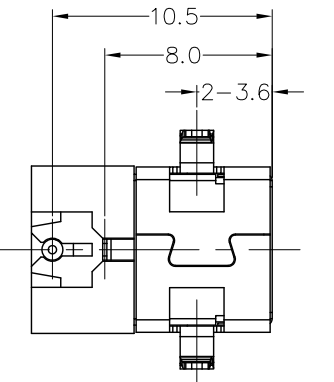
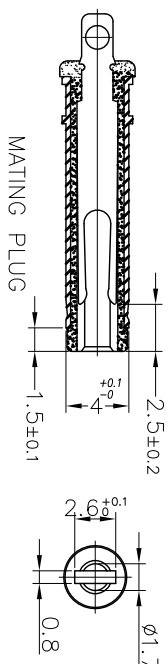


RECOMMENDED P.C.B. LAYOUT($t=1.6\text{mm}$)
TOP VIEW Tolerance: ± 0.05



SPECIFICATIONS:

1. RATING: DC 20V 7A
2. INSERTION FORCE: 0.4Kg~3.0Kg
3. WITHDRAWAL FORCE: 0.4Kg~3.0Kg
4. INSULATION RESISTANCE BETWEEN ANY ADJACENT TERMINALS SHALL NOT BE LESS THAN 100 MΩ AT 500 VDC.
5. JACK SHALL WITHSTAND 250 VOLTS BETWEEN ANY ADJACENT TERMINAL FOR ONE MINUTE.
6. CONTACT RESISTANCE SHALL NOT EXCEED 30mΩ.
7. JACK SHALL WITHSTAND 5,000 CYCLES OF INSERTION AND WITHDRAWAL WITH TESTING PLUG, AND CONTACT RESISTANCE SHALL NOT EXCEED 30mΩ.
8. MEASURING CONDITION:
9. RELATIVE HUMIDITY: FROM 40% TO 85%.
10. ENVIRONMENTAL SPECIFICATIONS:
11. HUMIDITY TEST: HUMIDITY 90% TO 95% TEMPERATURE 40°C ± 2°C FOR 96 HOURS.
12. HEAT TEST: TEMPERATURE 70°C ± 2°C (HUMIDITY BELOW 50%) FOR 96 HOURS.
13. COLD TEST: TEMPERATURE -40°C ± 2°C FOR 96 HOURS.
14. PACKAGING: TAPE & REEL
15. MATING PLUG: SINGATRON P/N ZDP-G723-001.
16. PRINTED DATE CODE: "YMMD" ON TOP OF CONNECTOR.
17. TO CONFORM TO SINGATRON HAZARDOUS SUBSTANCE FREE SPEC.
18. GREEN PRODUCT IDENTIFICATION MARK ON JACK: ♻️
19. GREEN PRODUCT IDENTIFICATION LABEL ON PACKAGING: ♻️
20. FOR REFLOW SOLDERING LEAD-FREE PROCESS.



NO	DESCRIPTION	QTY	MATERIAL	PLATING & COLOR
A	BODY	1	HIGH TEMP. THERMOPLASTIC PA-9T UL 94V-0	BLACK COLOR
B	SPRING	1	COPPER ALLOY 0.2t	Sn 60u" Min.
C	PIN	1	BRASS BAR	Ag 20u" Min.
D	TERMINAL	1	SUS 301 0.3t	
E	SHELL	1	SPCC-SD 0.3t	Ni 60u" Min.
F	GROUND	1	SUS 304 0.1t	

DECIMALS:	ANGLES:
X : ±0.5	X : ±2°
X.X : ±0.3	X.X : ±1'
X.XX : ±0.2	

TITLE	DC POWER JACK
DWN	2010/09/24
CHKD	10/28/10
APVD	10/17
PART NO.	ZDC-G7231200
SCALE:	4:1
UNIT:	mm
SHEET:	1 OF 1
REV:	E

REV.	ECN NO.	OR DESCRIPTION	REVISED	DATE
B	ECN NO: T080003	增加PLUG公差	EVEN	2008.1.11
C	ECN NO: T070357	變更線板線槽	EVEN	2008.02.13
D	ECN NO: S100335		SPRING	2010.04.01
E	ECN NO: S100932		Swing	2010.09.24