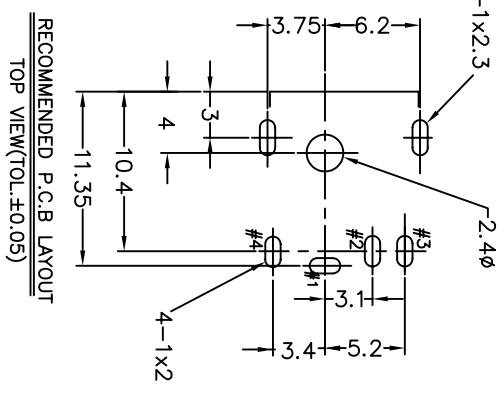
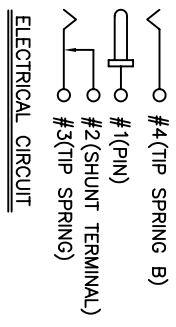
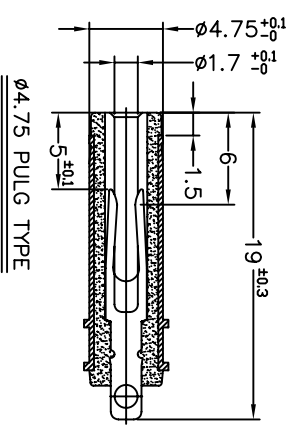
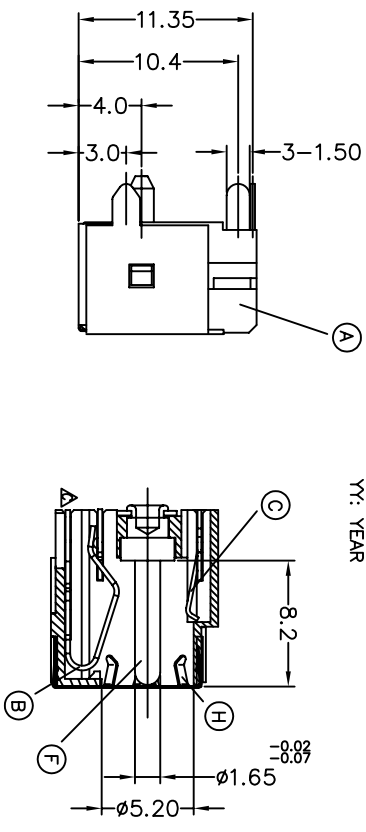
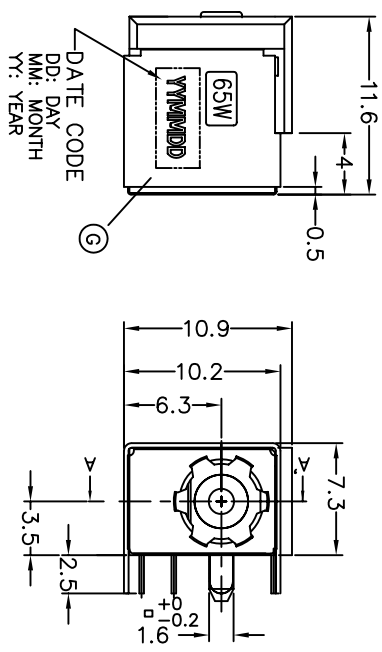


REV.	ECN NO.	OR DESCRIPTION	REVISED	DATE
A	PDR No.20070326-1		Tony	2007.04.24
B	ECN NO.S071008		Yolanda	2007.10.15
C	ECN NO.S080101A		Quan-Zhou	2008.01.25



- SPECIFICATIONS:**
- RATING: DC 20V 7A
 - INSERTION FORCE: 0.4KG-3.0KG
 - WITHDRAWAL FORCE: 0.4KG-3.0KG
 - INSULATION RESISTANCE BETWEEN ANY ADJACENT TERMINALS SHALL NOT BE LESS THAN 100 MEGOHMS BY 500 VOLTS MEGGER.
 - JACK SHALL WITHSTAND 250 VOLTS BETWEEN ANY ADJACENT TERMINAL FOR ONE MINUTE.
 - CONTACT RESISTANCE SHALL NOT EXCEED 0.03 Ω
 - JACK SHALL WITHSTAND 5,000 CYCLES OF INSERTION AND WITHDRAWAL WITH TESTING PLUG, AND CONTACT RESISTANCE SHALL NOT EXCEED 0.1 Ω
 - MEASURING CONDITION:
 - TEMPERATURE: FROM 5°C TO 35°C.
 - RELATIVE HUMIDITY: FROM 40% TO 85%
 - ENVIRONMENTAL SPECIFICATIONS:
 - 8.1 HUMIDITY TEST: HUMIDITY 90% TO 95% TEMPERATURE 40°C ± 2°C FOR 96 HOURS.
 - 8.2 HEAT TEST: TEMPERATURE 70°C ± 2°C (HUMIDITY BELOW 50%) FOR 96 HOURS.
 - 8.3 COLD TEST: TEMPERATURE -40°C ± 2°C FOR 96 HOURS.
 - SOLDERABILITY TEST: THE TERMINATION IS AT LEAST 95% COVERED BY A CONTINUOUS NEW SOLDER COATING.
 - TEST CONDITION: DIP IN MOLTEN SOLDER FOR 5 Sec. AT 245±5°C (TERMINATION SHALL BE IMMERSED IN FLUX BEFORE TEST)
 - PACKAGE: TAPPING REEL
 - TO CONFORM TO THE SINGATRON HSF SPECIFICATION.
 - GREEN PRODUCT IDENTIFICATION MARK ON JACK:
 - GREEN PRODUCT IDENTIFICATION LABEL ON PACKAGING: **G.P. PASS**
 - FOR LEAD-FREE PROCESS.
 - SOLDER HEAT RESISTANCE: 260°C 10 SECS.

NO	DESCRIPTION	MATERIAL	PLATING & COLOR
H	GROUNDING SPRING	1 STAINLESS 0.1t	N/A
G	SHIELDING	1 BRASS STRIP 0.3t	Ni 60u" Min.
F	PIN	1 BRASS BAR	COLD FLASH, Ni 50u" Min
E	TERMINAL	1 BRASS STRIP 0.3t	Ag 20u" Min, Ni 20u" Min
D	SHUNT TERMINAL	1 BRASS STRIP 0.3t	Ag 20u" Min, Ni 20u" Min
C	TIP SPRING B	1 COPPER ALLOY 0.25t	Ag 20u" Min, Ni 20u" Min
B	TIP SPRING A	1 COPPER ALLOY 0.3t	Ag 0.5um/min Ni/Cu 1.5um/min
A	BODY	1 HIGH TEMP. THERMOPLASTIC UL 94V-0	BLACK COLOR

UNLESS OTHERWISE SPECIFIED TOLERANCES		DC POWER JACK	
DECIMALS:	ANGLES:	TITLE	
X : ±0.5	X : ±2°	DRAWN	2007.04.24
X.X : ±0.3	X.X : ±1'	CHKD	2007.03.15
X.XX : ±0.2		APVD	2007.03.15

Singatron Enterprise Co., Ltd. 信營企業股份有限公司	
PART NO. 2DC-G726-103 SCALE: 3/1 SIZE: A3 SHEET: 1 OF 1 REV: C CUSTOMER COPY(SZ)	