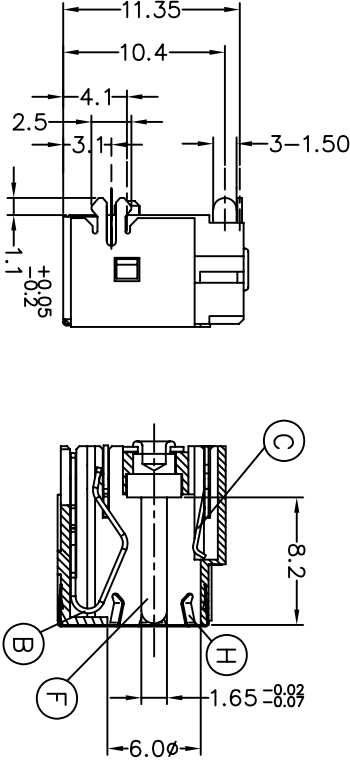
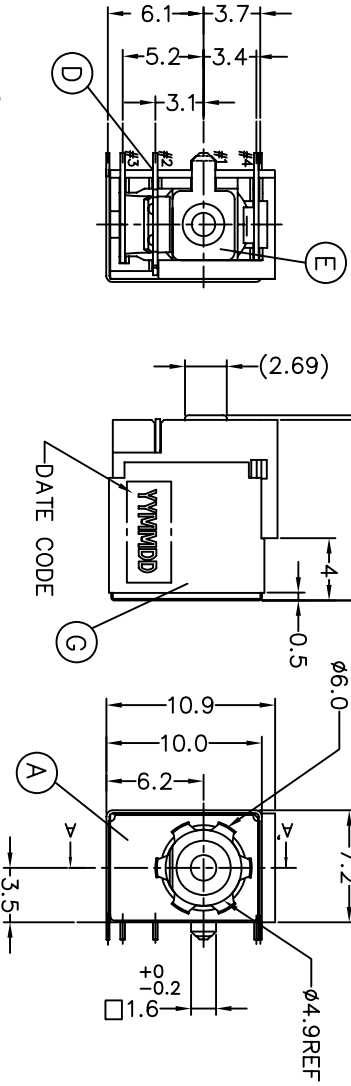
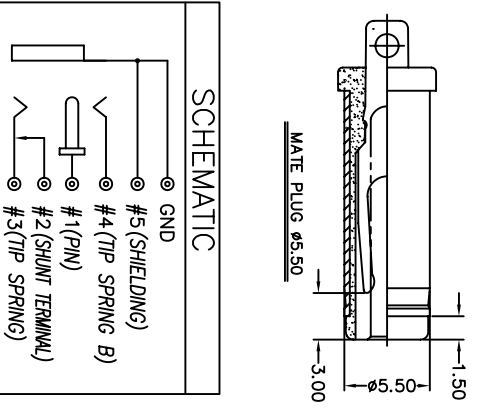
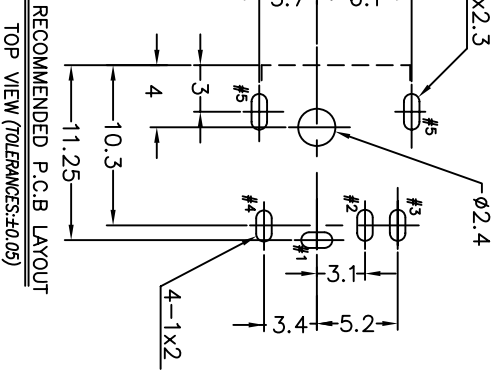


| REV. | ECN NO. | OR DESCRIPTION | REVISED | DATE |
|------|--------------------|----------------|------------|------|
| A | PDR No: 1090115-1A | BOYE | 2009.02.23 | |
| B | ECN NO.: S090730 | Soldier | 2009.02.29 | |



A-A' SECTION



- SPECIFICATIONS:**
1. RATING: DC 20V 7A
 2. INSERTION FORCE: 0.4KG-3.0KG
 3. INSULATION RESISTANCE BETWEEN ANY ADJACENT TERMINALS SHALL NOT BE LESS THAN 100 MEGOHMS BY 500 VOLTS MEGGER.
 4. JACK SHALL WITHSTAND 250 VOLTS BETWEEN ANY ADJACENT TERMINAL FOR ONE MINUTE.
 5. CONTACT RESISTANCE SHALL NOT EXCEED 30mΩ
 6. JACK SHALL WITHSTAND 5,000 CYCLES OF INSERTION AND WITHDRAWAL WITH TESTING PLUG AND CONTACT RESISTANCE SHALL NOT EXCEED 100mΩ
 7. MEASURING CONDITION:
TEMPERATURE: FROM 5°C TO 35°C
RELATIVE HUMIDITY: FROM 40% TO 85%
 8. ENVIRONMENTAL SPECIFICATIONS:
8.1 HUMIDITY TEST: HUMIDITY 90% TO 95% TEMPERATURE 40°C ± 2°C FOR 96 HOURS.
 - 8.2 HEAT TEST: TEMPERATURE 70°C ± 2°C (HUMIDITY BELOW 50%) FOR 96 HOURS.
 - 8.3 COLD TEST: TEMPERATURE -40°C ± 2°C FOR 96 HOURS.
 9. SOLDERABILITY TEST: THE TERMINATION IS AT LEAST 95% COVERED BY A CONTINUOUS NEW SOLDER COATING.
TEST CONDITION: DIP IN MOLTEN SOLDER FOR 5 Sec. AT 245±5°C (TERMINATION SHALL BE IMMERSED IN FLUX BEFORE TEST)
 10. PACKAGING: TAPPE&REEL
 11. TO CONFORM TO SINGATRON HAZARDOUS SUBSTANCE FREE SPEC.
 12. HALOGEN FREE PRODUCT IDENTIFICATION MARK ON JACK:
 13. HALOGEN FREE PRODUCT IDENTIFICATION LABEL ON PACKAGING:
 14. FOR REFLOW SOLDERING LEAD-FREE PROCESS.

| NO | DESCRIPTION | QTY | MATERIAL | PLATING & COLOR |
|----|------------------|-----|--------------------|------------------------|
| A | BODY | 1 | UL 94V-0 | BLUE (PANTONE NO:298C) |
| B | TIP SPRING A | 1 | COPPER ALLOY 0.3t | Aq 20u Min N20u Min. |
| C | TIP SPRING B | 1 | COPPER ALLOY 0.25t | Aq 20u Min N20u Min. |
| D | SHUNT TERMINAL | 1 | BRASS STRIP 0.3t | Aq 20u Min N20u Min. |
| E | TERMINAL | 1 | BRASS STRIP 0.3t | Aq 20u Min N20u Min. |
| F | PIN | 1 | BRASS BAR | Ni 5um Cu 1.5um Min. |
| G | SHIELDING | 1 | BRASS STRIP 0.2t | Ni 5um Cu 1.5um Min. |
| H | GROUNDING SPRING | 1 | STAINLESS | N/A |

UNLESS OTHERWISE SPECIFIED TOLERANCES

DECIMALS: ANGLES: TITLE

DWN Soldier
CHKD Lussen
APVD Max

PART NO. 2DC-G726-Q12
SCALE: 4:1
UNIT: mm
SIZE: A3
SHEET: 1 OF 1
REV: B

Singatron Enterprise Co., Ltd.
信登企業股份有限公司

DC POWER JACK

CUSTOMER COPY