

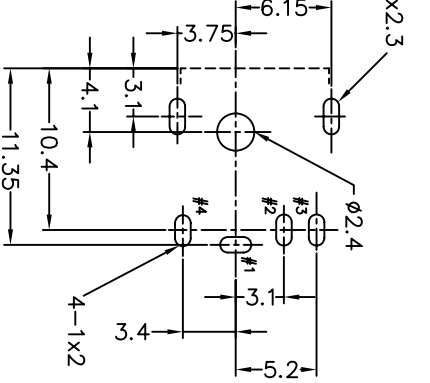
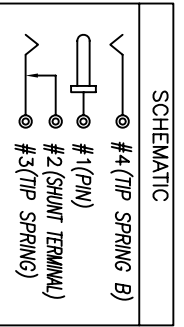
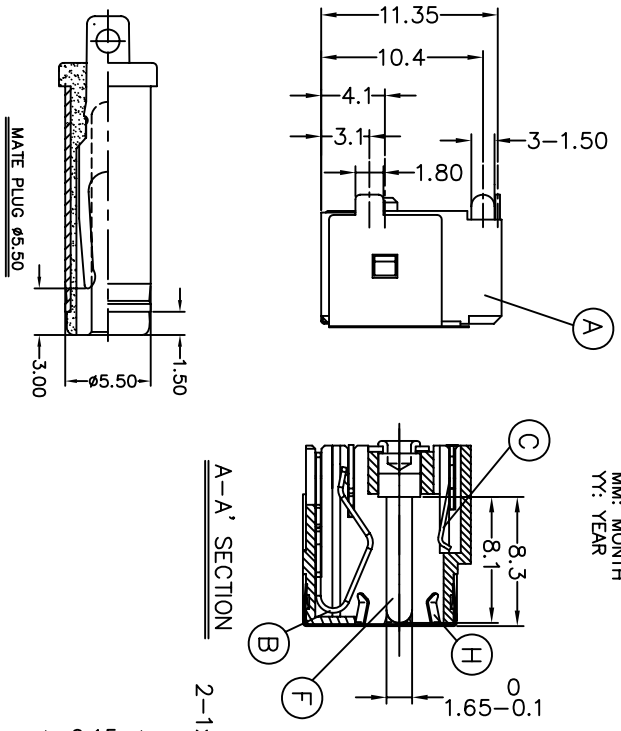
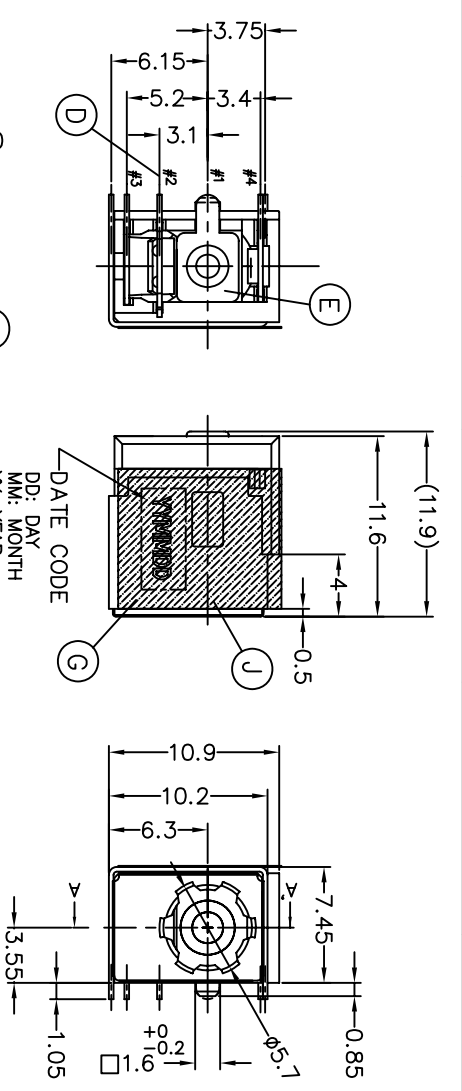


REV.	ECN NO.	OR DESCRIPTION	REVISED	DATE
A	PDR NO: T090914-1A		Bobbie	2009.11.17
B	ECN NO: S091129		Soldier	2010.01.16

- SPECIFICATIONS:**
1. RATING: DC 20V 7A
  2. INSERTION FORCE: 0.4KG-3.0KG  
WITHDRAWAL FORCE: 0.4KG-3.0KG
  3. INSULATION RESISTANCE BETWEEN ANY ADJACENT TERMINALS SHALL NOT BE LESS THAN 100 MEGOHMS BY 500 VOLTS MEGGER.
  4. JACK SHALL WITHSTAND 250 VOLTS BETWEEN ANY ADJACENT TERMINAL FOR ONE MINUTE
  5. CONTACT RESISTANCE SHALL NOT EXCEED 30m $\Omega$
  6. JACK SHALL WITHSTAND 5,000 CYCLES OF INSERTION AND WITHDRAWAL WITH TESTING PLUG AND CONTACT RESISTANCE SHALL NOT EXCEED 100m $\Omega$
  7. MEASURING CONDITION:  
TEMPERATURE: FROM 5°C TO 35°C.
  8. RELATIVE HUMIDITY: FROM 40% TO 85%
  8. ENVIRONMENTAL SPECIFICATIONS:
  - 8.1 HUMIDITY TEST: HUMIDITY 90% TO 95% TEMPERATURE 40°C  $\pm$  2°C FOR 96 HOURS.
  - 8.2 HEAT TEST: TEMPERATURE 70°C  $\pm$  2°C (HUMIDITY BELOW 50%) FOR 96 HOURS.
  - 8.3 COLD TEST: TEMPERATURE -40°C  $\pm$  2°C FOR 96 HOURS.
  9. SOLDERABILITY TEST: THE TERMINATION IS AT LEAST 95% COVERED BY A CONTINUOUS NEW SOLDER COATING.

10. TEST CONDITION: DIP IN MOLTEN SOLDER FOR 5 Sec. AT 245 $\pm$ 5°C (TERMINATION SHALL BE IMMERSED IN FLUX BEFORE TEST)
10. PACKAGE: TAPPING REEL
11. TO CONFORM TO SINGATRON HAZARDOUS SUBSTANCE FREE SPEC.
12. HALOGEN FREE PRODUCT IDENTIFICATION MARK ON JACK: 
13. HALOGEN FREE PRODUCT IDENTIFICATION LABEL ON PACKAGING: 



NO	DESCRIPTION	QTY	MATERIAL	PLATING & COLOR
A	BODY	1	HIGH TEMP. THERMOPLASTIC UL 94V-0	BLUE (PANTONE BLUE 298C)
B	TIP SPRING A	1	COPPER ALLOY 0.3T	Ag 20" $\mu$ Min.
C	TIP SPRING B	1	COPPER ALLOY 0.25T	Ag 20" $\mu$ Min.
D	SHUNT TERMINAL	1	BRASS STRIP 0.3t	Ag 20" $\mu$ Min.
E	TERMINAL	1	BRASS STRIP 0.3t	Ag 20" $\mu$ Min.
F	PIN	1	BRASS BAR	Ni 60" $\mu$ Min.
G	SHIELDING	1	BRASS STRIP 0.3t	Ni 60" $\mu$ Min.
H	GROUNDING SPRING	1	STAINLESS 0.1t	N/A
J	MYLAR	1	9W*10.5L	TRANSPARENT

UNLESS OTHERWISE SPECIFIED TOLERANCES

 Singatron Enterprise Co., Ltd.  
信音企業股份有限公司

DECIMALS:	ANGLES:	TITLE
X : $\pm$ 0.5	X : $\pm$ 2°	DC POWER JACK
X.X : $\pm$ 0.3	X.X : $\pm$ 1°	DWN Soldier
X.XX : $\pm$ 0.2		CHKD Lussen
		APVD MAX

SCALE: N/A UNIT: mm

SIZE: A3 SHEET: 1 OF 1 REV: B

**CUSTOMER COPY**