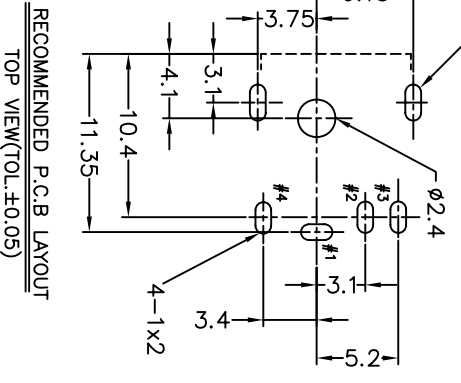
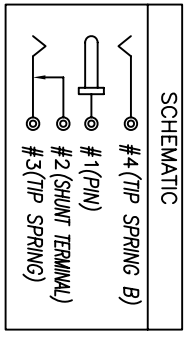
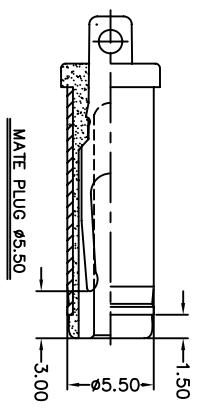
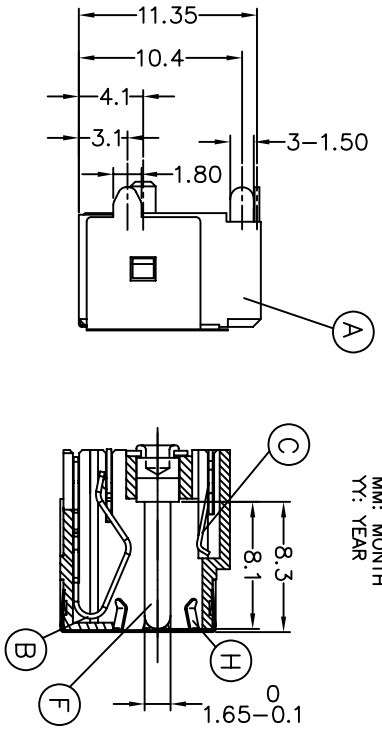
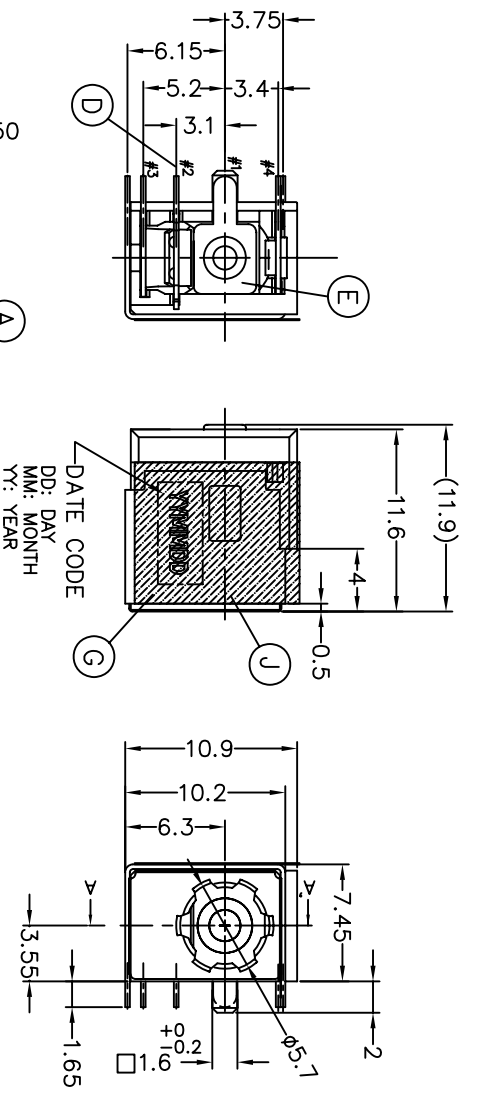


REV.	ECN NO.	OR DESCRIPTION	REVISED	DATE
A	PDR NO: T090914-3A		Bobbie	2009.11.05
B	ECN NO: S091129		Soldier	2010.01.16



- SPECIFICATIONS:**
1. RATING: DC 20V 7A
 2. INSERTION FORCE: 0.4KG-3.0KG
 3. WITHDRAWAL FORCE: 0.4KG-3.0KG
 4. JACK SHALL WITHSTAND 250 VOLTS BETWEEN ANY ADJACENT TERMINAL FOR ONE MINUTE.
 5. CONTACT RESISTANCE SHALL NOT EXCEED 30mΩ
 6. JACK SHALL WITHSTAND 5,000 CYCLES OF INSERTION AND WITHDRAWAL WITH TESTING PLUG AND CONTACT RESISTANCE SHALL NOT EXCEED 100mΩ
 7. MEASURING CONDITION: TEMPERATURE: FROM 5°C TO 35°C. RELATIVE HUMIDITY: FROM 40% TO 85%
 8. ENVIRONMENTAL SPECIFICATIONS:
 - 8.1 HUMIDITY TEST: HUMIDITY 90% TO 95% TEMPERATURE 40°C ± 2°C FOR 96 HOURS.
 - 8.2 HEAT TEST: TEMPERATURE 70°C ± 2°C (HUMIDITY BELOW 50%) FOR 96 HOURS.
 - 8.3 COLD TEST: TEMPERATURE -40°C ± 2°C FOR 96 HOURS.
 9. SOLDERABILITY TEST: THE TERMINATION IS AT LEAST 95% COVERED BY A CONTINUOUS NEW SOLDER COATING.
 10. TEST CONDITION: DIP IN MOLTEN SOLDER FOR 5 Sec. AT 245±5°C (TERMINATION SHALL BE IMMersed IN FLUX BEFORE TEST)
 10. PACKAGE: TAPPING REEL
 11. TO CONFORM TO SINGATRON HAZARDOUS SUBSTANCE FREE SPEC.
 12. HALOGEN FREE PRODUCT IDENTIFICATION MARK ON JACK: (C)
 13. HALOGEN FREE PRODUCT IDENTIFICATION LABEL ON PACKAGING: (E)

NO	DESCRIPTION	QTY	MATERIAL	PLATING & COLOR
J	MYLAR	1	9W*10.5L	TRANSPARENT
H	GROUNDING SPRING	1	STAINLESS 0.1t	N/A
G	SHIELDING	1	BRASS STRIP 0.3t	Ni 60u" Min.
F	PIN	1	BRASS BAR	Ni 60u" Min.
E	TERMINAL	1	BRASS STRIP 0.3t	Ag 20u" Min.
D	SHUNT TERMINAL	1	BRASS STRIP 0.3t	Ag 20u" Min.
C	TIP SPRING B	1	COPPER ALLOY 0.25t	Ag 20u" Min.
B	TIP SPRING A	1	COPPER ALLOY 0.3t	Ag 20u" Min.
A	BODY	1	HIGH TEMP. THERMOPLASTIC UL 94V-0	BLUE (PANTONE BLUE 298C)

DECIMALS:	ANGLES:	TITLE
X : ±0.5	X : ±2°	DC POWER JACK
X.X : ±0.3	X.X : ±1'	PART NO. 2DC-G726-Q24
X.XX : ±0.2		SCALE: N/A UNIT: mm
		SIZE: A3 SHEET: 1 OF 1 REV: B

Singatron Enterprise Co., Ltd.
 信音企業股份有限公司
 SOLDIER
 LUSSEN
 MOK
 CUSTOMER COPY