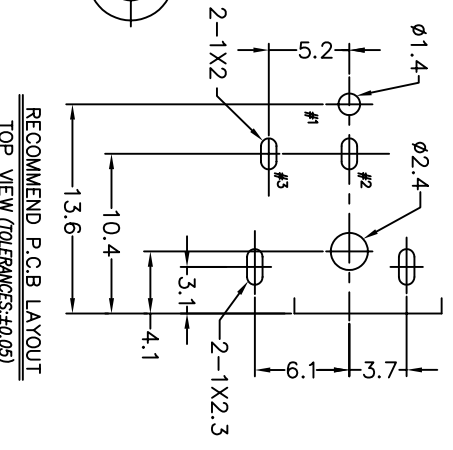
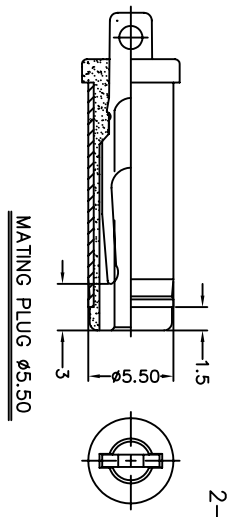
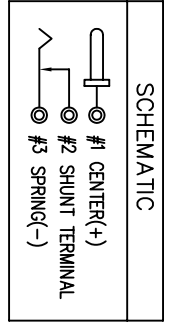
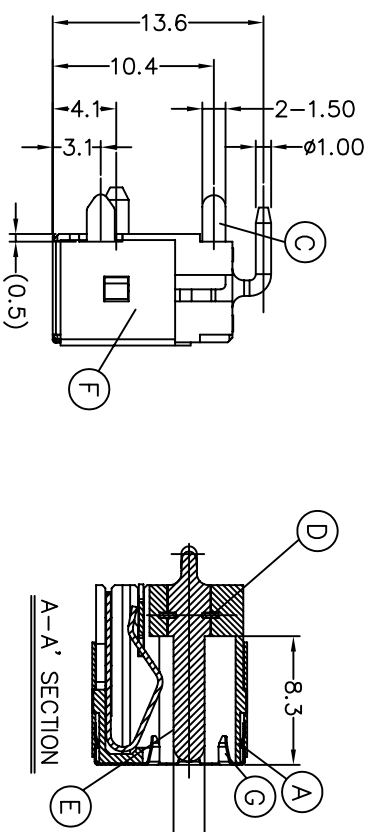
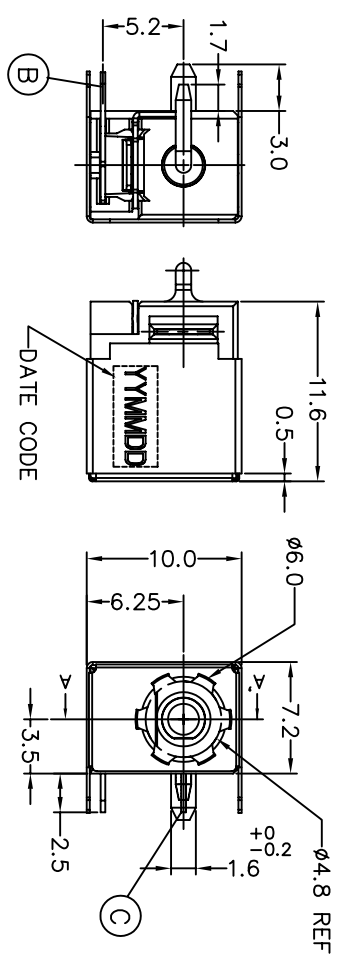
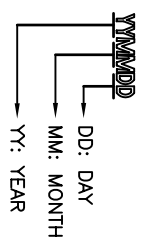


REV/ECN NO	OR DESCRIPTION	REVISED	DATE
A	PDR NO.1080922-3A	Swina	2008.10.08



- SPECIFICATIONS:**
1. RATING: DC 20V 4A
  2. INSERTION FORCE: 0.4KG-3.0KG
  3. INSULATION RESISTANCE BETWEEN ANY ADJACENT TERMINALS SHALL NOT BE LESS THAN 100 MEGOHMS BY 500 VOLTS MEGGER.
  4. JACK SHALL WITHSTAND 250 VOLTS BETWEEN ANY ADJACENT TERMINAL FOR ONE MINUTE.
  5. CONTACT RESISTANCE SHALL NOT EXCEED 0.03 OHMS.
  6. JACK SHALL WITHSTAND 5,000 CYCLES OF INSERTION AND WITHDRAWAL WITH TESTING PLUG, AND CONTACT RESISTANCE SHALL NOT EXCEED 0.1 OHMS.
  7. MEASURING CONDITION:
    - TEMPERATURE: FROM 5°C TO 35°C.
    - RELATIVE HUMIDITY: FROM 40% TO 85%
  8. ENVIRONMENTAL SPECIFICATIONS:
  - 8.1 HUMIDITY TEST: HUMIDITY 90% TO 95% TEMPERATURE 40°C ± 2°C FOR 96 HOURS.
  - 8.2 HEAT TEST: TEMPERATURE 70°C ± 2°C (HUMIDITY BELOW 50%) FOR 96 HOURS.
  - 8.3 COLD TEST: TEMPERATURE -40°C ± 2°C FOR 96 HOURS.
  9. SOLDERABILITY TEST: THE TERMINATION IS AT LEAST 95% COVERED BY A CONTINUOUS NEW SOLDER COATING.
  - TEST CONDITION: DIP IN MOLTEN SOLDER FOR 5 Sec. AT 265±5°C (TERMINATION SHALL BE IMMERSSED IN FLUX BEFORE TEST)
  10. PACKAGING: TAPE & REEL.
  11. SOLDERING CONDITION: WAVE SOLDERING / IR REFLOW.
  12. TO CONFORM TO SINGATRON HAZARDOUS SUBSTANCE FREE SPEC.
  13. GREEN PRODUCT IDENTIFICATION MARK ON JACK
  14. GREEN PRODUCT IDENTIFICATION LABEL ON PACKAGING: **GR PASS**
  15. FOR LEAD FREE PROCESS.
  16. PRINTED DATE CODE "YYMMDD" ON TOP OF CONNECTOR.



NO	DESCRIPTION	QTY	MATERIAL	PLATING & COLOR
G	GROUNDING SPRING	1	STAINLESS 0.1t	N/A
F	SHIELDING	1	BRASS STRIP 0.2t	Ni 60u" Min
E	PIN	1	BRASS BAR	Ag 20u" Over Ni20u"
D	TERMINAL	1	STAINLESS 0.3t	N/A
C	SHUNT TERMINAL	1	BRASS STRIP 0.3t	Ag 20u" Over Ni20u"
B	TIP SPRING	1	BRASS STRIP 0.3t	Ag 20u" Over Ni20u"
A	BODY	1	HIGH TEMP. THERMOPLASTIC UL 94V-0	BLACK

UNLESS OTHERWISE SPECIFIED TOLERANCES		ANGLES:		TITLE	
DECIMALS:	ANGLES:	DC POWER JACK			
X : ±0.5	X : ±2°				
X.X : ±0.3	X.X : ±1°				
X.XX : ±0.2					

Singatron Enterprise Co., Ltd. 信音企業股份有限公司		
DWN	Part 2008.10.08	PART NO. 2DC-G756-B49
CHKD	Rev 2008.10.10	SCALE: 3:1
APVD	Rev 2008.10.10	UNIT: mm
		SHEET: 1 OF 1
		REV: A

CUSTOMER COPY