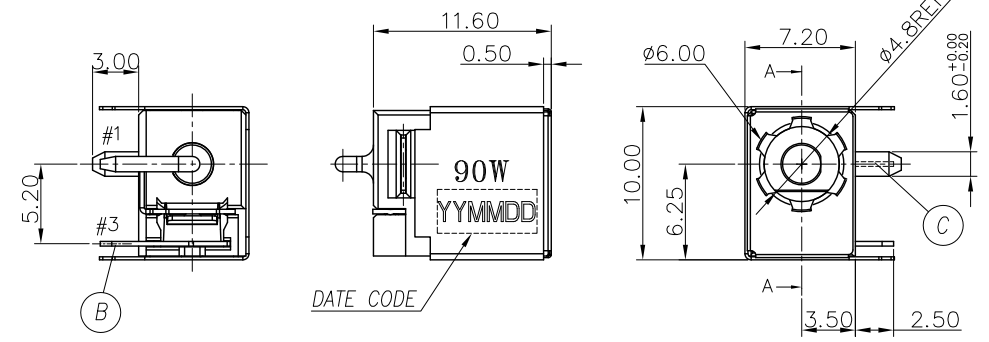
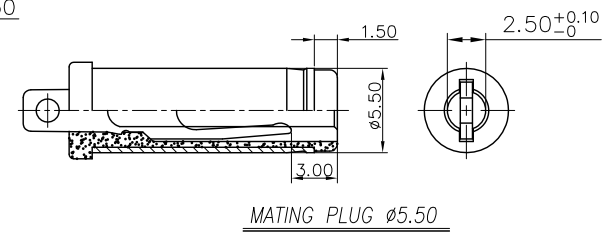
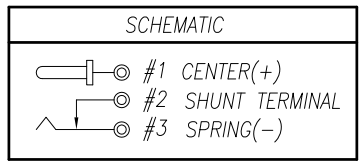
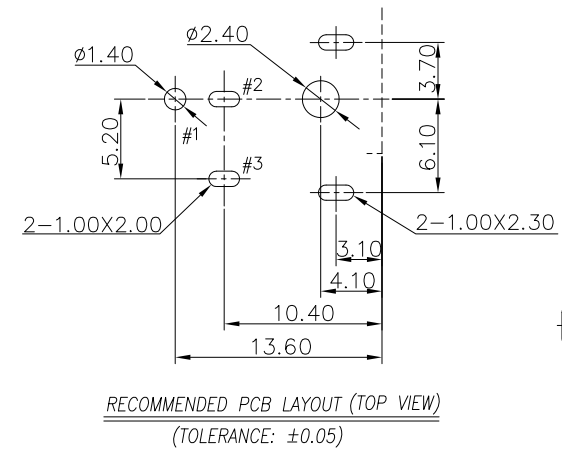
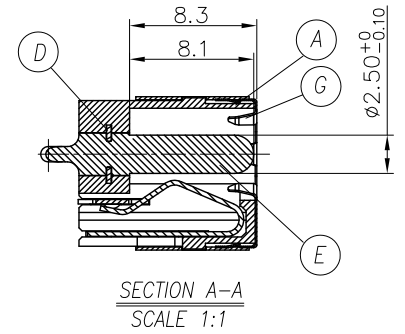
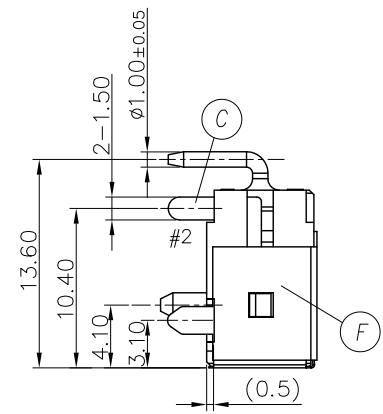


REV.	ECN NO OR DESCRIPTION	REVISED	DATE
E	ECN NO.S100922	ANDY	2010.09.20
F	ECN NO.S101114	ANDY	2010.11.10
G	ECN NO.S121016	ANDY	2013.01.18



SPECIFICATIONS:

- RATING: DC 20V 7A
- INSERTION FORCE: 0.4KG-3.5KG
WITHDRAWAL FORCE: 0.4KG-3.5KG
- INSULATION RESISTANCE BETWEEN ANY ADJACENT TERMINALS SHALL NOT BE LESS THAN 100 MEGOHMS BY 500 VOLTS.
- JACK SHALL WITHSTAND 250 VOLTS BETWEEN ANY ADJACENT TERMINAL FOR ONE MINUTE.
- CONTACT RESISTANCE SHALL NOT EXCEED 30mΩ.
- JACK SHALL WITHSTAND 5,000 CYCLES OF INSERTION AND WITHDRAWAL WITH TESTING PLUG, AND CONTACT RESISTANCE SHALL NOT EXCEED 50mΩ.
- MEASURING CONDITION:
TEMPERATURE: FROM 5°C TO 35°C.
RELATIVE HUMIDITY: FROM 40% TO 85%
- ENVIRONMENTAL SPECIFICATIONS:
 - HUMIDITY TEST: HUMIDITY 90% TO 95% TEMPERATURE 40°C ± 2°C FOR 96 HOURS.
 - HEAT TEST: TEMPERATURE 70°C ± 2°C (HUMIDITY BELOW 50%) FOR 96 HOURS.
 - COLD TEST: TEMPERATURE -40°C ± 2°C FOR 96 HOURS.
- SOLDERABILITY TEST: THE TERMINATION IS AT LEAST 95% COVERED BY A CONTINUOUS NEW SOLDER COATING.
TEST CONDITION: DIP IN MOLTEN SOLDER FOR 5 Sec. AT 245±5°C (TERMINATION SHALL BE IMMERSED IN FLUX BEFORE TEST)
- PACKAGING: TAPE & REEL.
- FOR REFLOW SOLDERING LEAD-FREE PROCESS.
- TO CONFORM TO SINGATRON HAZARDOUS SUBSTANCE FREE SPEC.
- GREEN PRODUCT IDENTIFICATION MARK ON JACK:
- GREEN PRODUCT IDENTIFICATION LABEL ON PACKAGING: **G.P. PASS**
- PRINTED DATE CODE "YYMMDD" ON TOP OF CONNECTOR.



G	GROUNDING SPRING	1	STAINLESS 0.1t	N/A
F	SHIELDING	1	BRASS 0.2t	Ni 60u" Min
E	PIN	1	BRASS BAR	GOLD FLASH OVER Ni 50u"
D	TERMINAL	1	STAINLESS 0.3t	N/A
C	SHUNT TERMINAL	1	BRASS 0.3t	Ag 20u" OVER Ni 20u"
B	TIP SPRING	1	COPPER ALLOY 0.3t	Ag 20u" OVER Ni 20u"
A	BODY	1	HIGH TEMP. THERMOPLASTIC UL 94V-0	BLACK
NO	DESCRIPTION	QTY	MATERIAL	PLATING & COLOR

UNLESS OTHERWISE SPECIFIED TOLERANCES		Singatron Enterprise Co., Ltd. 信音企業股份有限公司		
DECIMALS:	ANGLES:	TITLE	DC POWER JACK	
X : ±0.5	X : ±2°	DWN	ANDY	PART NO. 2DC-G756-B64
X.X : ±0.3	X.X : ±1°	CHKD	TOM	SCALE: 4:1 UNIT: mm
X.XX : ±0.2		APVD	MAX	SIZE: A3 SHEET: 1 OF 1 REV: G
CUSTOMER COPY				