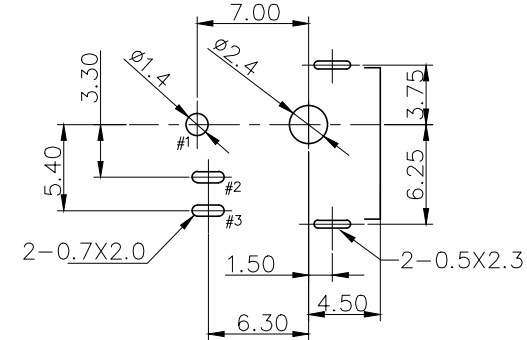
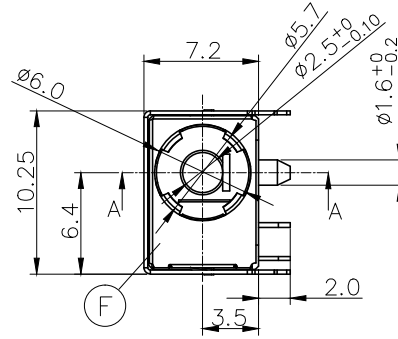
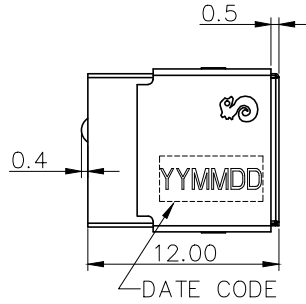
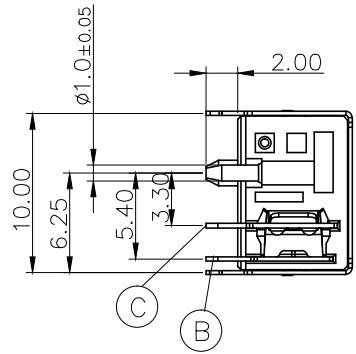
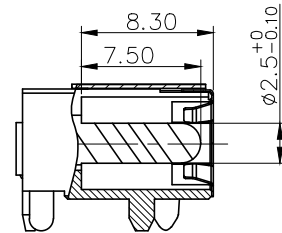
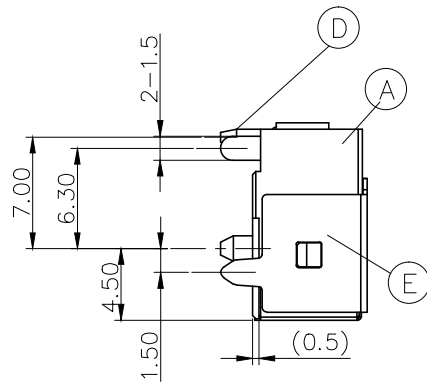


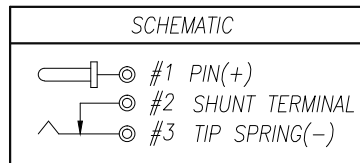
REV.	ECN NO OR DESCRIPTION	REVISED	DATE
A	PDR NO.T090914-5A	Bobbie	2010.04.07
B	ECN NO.S100922	ANDY	2010.09.20
C	ECN NO.S181240-R	KEN	2018.12.29



RECOMMENDED P.C.B LAYOUT
TOP VIEW (TOLERANCES:±0.05)



SECTION: A-A



SPECIFICATIONS:

1. ELECTRICAL CHARACTERISTICS:

- 1-1. RATING: 20V 7A
- 1-2. CONTACT RESISTANCE: 30mOHMS MAX.(INITIAL)
- 1-3. DIELECTRIC WITHSTANDING VOLTAGE: 250V AC FOR ONE MINUTE.
- 1-4. INSULATION RESISTANCE: 100MEGOHMS MIN. MEASURED BY 500 VDC

2. MECHANICAL CHARACTERISTICS:

- 2-1. INSERTION FORCE : 0.4KG-3.5KG
- 2-2. WITHDRAWAL FORCE : 0.4KG-3.5KG

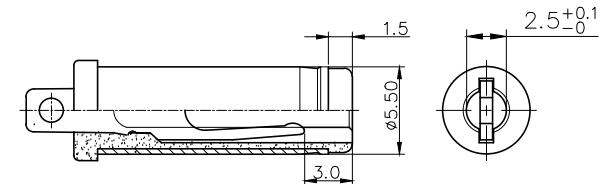
3. LIFE TEST: 5,000 CYCLES MIN.

- 4. OTHER GENERAL SPEC. TO REFER "2DCXXX SERIES SPEC".
- 5. TO CONFORM TO SINGATRON HAZARDOUS SUBSTANCE FREE SPEC.

6. HALOGEN FREE PRODUCT IDENTIFICATION MARK ON PRODUCT:

7. HALOGEN FREE PRODUCT IDENTIFICATION LABEL ON PACKAGING:

8. FOR REFLOW SOLDERING LEAD-FREE PROCESS.



MATING PLUG $\phi 5.50$

F	GROUNDING	1	STAINLESS 0.1T	N/A
E	SHIELDING	1	BRASS STRIP 0.25T	Ni 60u" Min
D	PIN	1	BRASS BAR	GOLD FLASH OVER Ni 50u"
C	SHUNT TERMINAL	1	BRASS STRIP 0.3T	GOLD FLASH OVER Ni 50u"
B	TIP SPRING	1	BRASS STRIP 0.25T	Ag 20u" OVER Ni 50u"
A	BODY	1	HIGH TEMP. THERMOPLASTIC UL 94V-0	BLACK
NO	DESCRIPTION	QTY	MATERIAL	PLATING & COLOR
UNLESS OTHERWISE SPECIFIED TOLERANCES		Singatron Enterprise Co., Ltd. 信音企業股份有限公司		
DECIMALS: ANGLES:		TITLE: DC POWER JACK		
X	:±0.5	X	:±2°	DWN KEN PART NO. 2DC-G756-B91
X.X	:±0.3	X.X	:±1°	CHKD sky SCALE:1:1 UNIT: mm
X.XX	:±0.2	APVD	lussen	SIZE: A3 SHEET:1 OF 1 REV:C
CUSTOMER COPY				