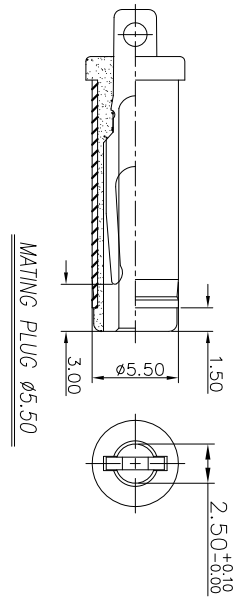
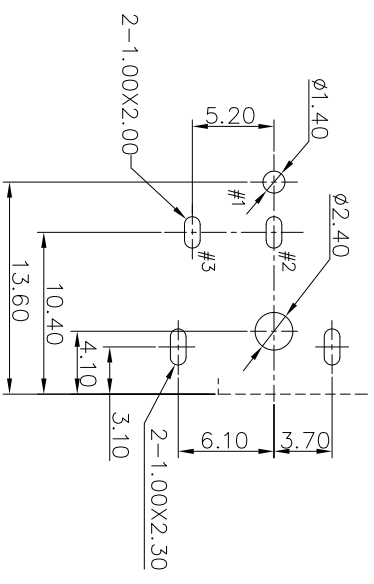
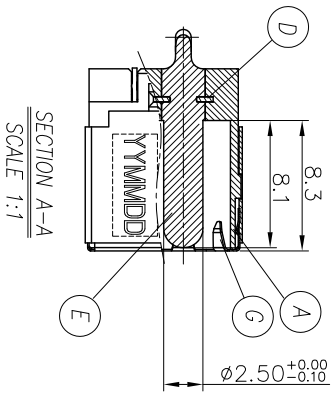
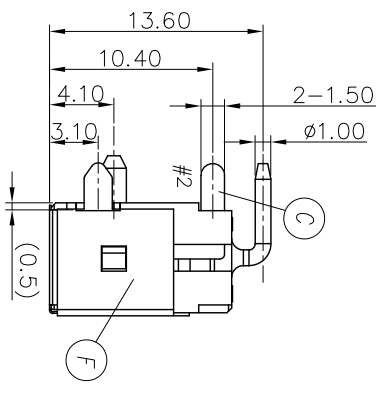
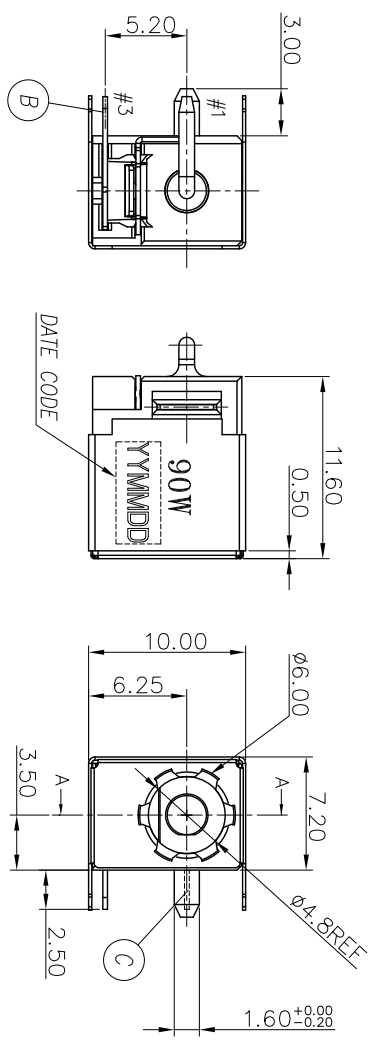
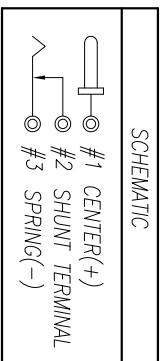
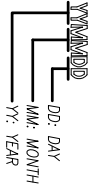


REV.	ECN NO OR DESCRIPTION	REVISED	DATE
A	PDR NO.T100824-3A	Spring	2010.12.14



- SPECIFICATIONS:
- ELECTRICAL CHARACTERISTICS:
    - 1-1 CONTACT RESISTANCE: 30mΩ MAX. (INITIAL)
    - 1-2 DIELECTRIC WITHSTANDING VOLTAGE: 250V AC FOR ONE MINUTE.
    - 1-3 INSULATION RESISTANCE: 100MΩ MIN. MEASURED BY 500V DC.
  - MECHANICAL CHARACTERISTICS:
    - 2-1 INSERTION FORCE: 3.0kgf Max.
    - 2-2 WITHDRAWAL FORCE: 1.0kgf ~ 3.0kgf.
    - 3 LIFE TEST: 5000 CYCLES MIN.
  - OTHER GENERAL SPEC. TO REFER "20C-G756-\*\*\* SPEC."
  - TO CONFORM TO SINGATRON HAZARDOUS SUBSTANCE FREE SPEC.
  - GREEN PRODUCT IDENTIFICATION MARK ON JACK:
  - GREEN PRODUCT IDENTIFICATION LABEL ON PACKAGING: **G.P. PASS**
  8. REPRESENT CRITICAL DIMENSIONS.
  9. FOR LEAD FREE PROCESS.
  10. PRINTED DATE CODE "YYMMDD" ON TOP OF CONNECTOR.



G	GROUNDING SPRING	1	STAINLESS 0.1t	N/A
F	SHIELDING	1	BRASS 0.2t	Ni 60µin Min.
E	PIN	1	BRASS BAR	G/F ALL OVER Ni 50µin MIN
D	TERMINAL	1	STAINLESS 0.3t	N/A
C	SHUNT TERMINAL	1	BRASS 0.3t	N/A
B	TIP SPRING	1	COPPER ALLOY 0.3t	Ag 20µin ALL OVER Ni 20µin
A	BODY	1	HIGH TEMP. THERMOPLASTIC UL 94V-0	BLACK

NO	DESCRIPTION	QTY	MATERIAL	PLATING & COLOR
	UNLESS OTHERWISE SPECIFIED TOLERANCES			
	Singatron Enterprise Co., Ltd. 信登企業股份有限公司			
	<b>DC POWER JACK</b>			
	TITLE	ANGLES:		
	DWN	±0.5	±2°	
	CHKD	±0.3	±1°	
	APVD	±0.2		
	<b>PART NO. 2DC-G756-BA3</b>			
	SCALE: 4:1	UNIT: mm		
	SIZE: A3	SHEET: 1 OF 1		
	<b>REV: A</b>			
	<b>CUSTOMER COPY</b>			