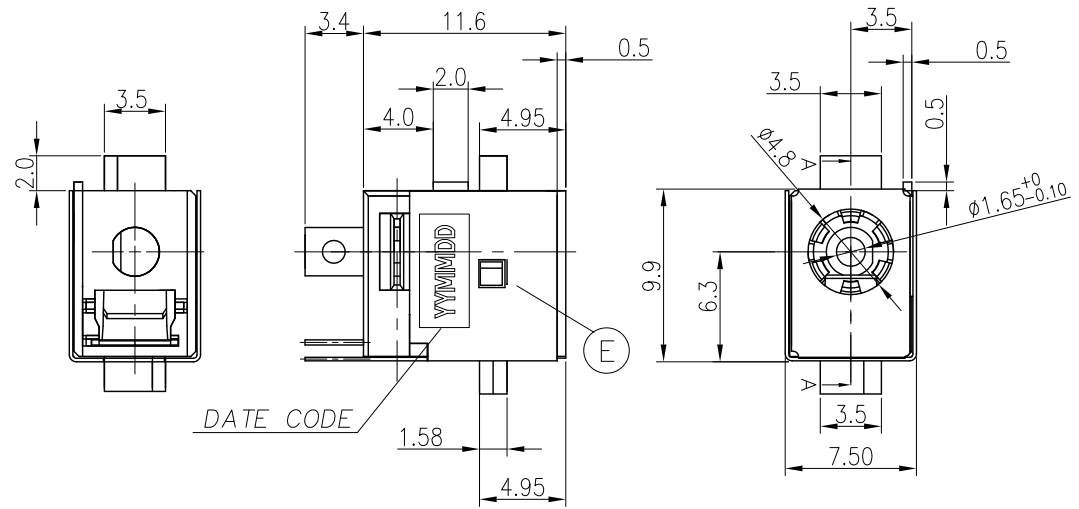
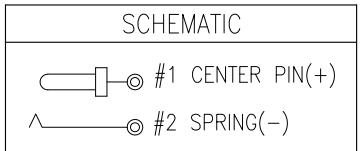
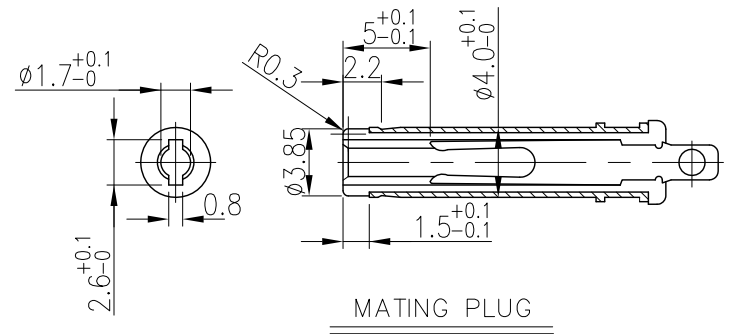
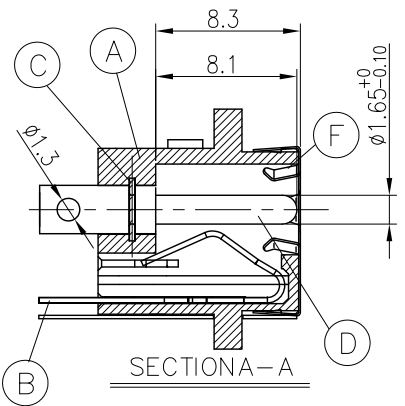
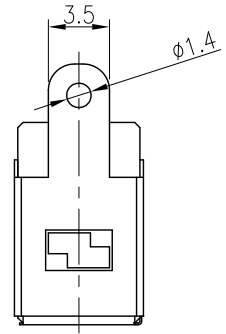


REV.	ECN NO OR DESCRIPTION	REVISED	DATE
A	PDR NO:T101126-2A	Eileen	2011.05.04
B	ECN NO:S110627	Soldier	2011.08.19
C	ECN NO:S12305	Danfeng	2012.03.02



- SPECIFICATIONS:
- ELECTRICAL CHARACTERISTICS:
    - RATING:DC 20V 7A MAX.
    - CONTACT RESISTANCE:30mΩ MAX.(INITIAL)
    - DIELECTRIC WITHSTANDING VOLTAGE:500V AC FOR ONE MINUTE.
    - INSULATION RESISTANCE:100MΩ MIN. MEASURED BY 500V DC.
  - MECHANICAL CHARACTERISTICS:
    - INSERTION FORCE: 3.5Kgf MAX.
    - WITHDRAWAL FORCE: 0.5Kgf~3.5Kgf.
  - LIFE TEST:5000 CYCLES MIN.
  - OTHER GENERAL SPEC. TO REFER "2DC-G756 SERIES SPEC".
  - TO CONFORM TO SINGATRON HAZARDOUS SUBSTANCE FREE SPEC.
  - TO CONFORM TO SINGATRON HAZARDOUS SUBSTANCE FREE SPEC.
  - HALOGEN FREE PRODUCT IDENTIFICATION MARK ON PRODUCT:
  - HALOGEN FREE PRODUCT IDENTIFICATION LOGO ON PACKAGING:
  - FOR LEAD FREE PROCESS.
  - PRINTED DATE CODE" **YYMMDD** "ON TOP OF CONNECTOR.

YYMMDD "ON TOP OF CONNECTOR."  
 DD: DAY  
 MM: MONTH  
 YY: YEAR



NO	DESCRIPTION	QTY	MATERIAL	PLATING & COLOR
F	GROUND	1	STAINLESS, 0.1t	N/A
E	SHIELDING	1	BRASS STRIP ,0.2t	Ni 60u" Min
D	PIN	1	BRASS BAR	Gold Flash ,OVER Ni 50"Min
C	TERMINAL	1	STAINLESS, 0.3t	N/A
B	TIP SPRING	1	COPPER ALLOY, 0.3t	Ag 20u" Min OVER Ni 50"Min
A	BODY	1	THERMOPLASTIC ,UL94V-0	BLACK

UNLESS OTHERWISE SPECIFIED TOLERANCES		SINGATRON ENTERPRISE CO., LTD. 信音企業股份有限公司		
DECIMALS:	ANGLES:	TITLE	DC POWER JACK	
X : ±0.5	X : ±2°	DWN Danfeng	PART NO. 2DC-G756-BB1F	
X.X : ±0.3	X.X : ±1°	CHKD Cerry	SCALE:4:1	UNIT: mm
X.XX : ±0.2		APVD Tony	SIZE: A3	SHEET:1 OF 1
CUSTOMER COPY				