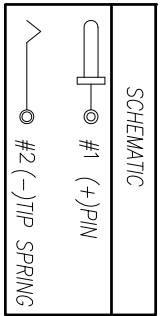
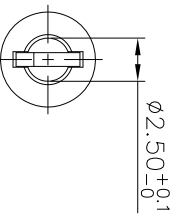
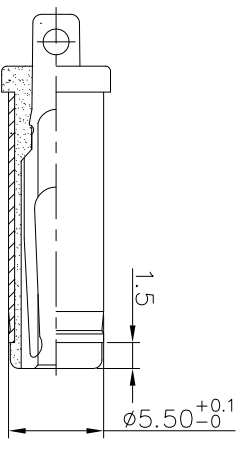
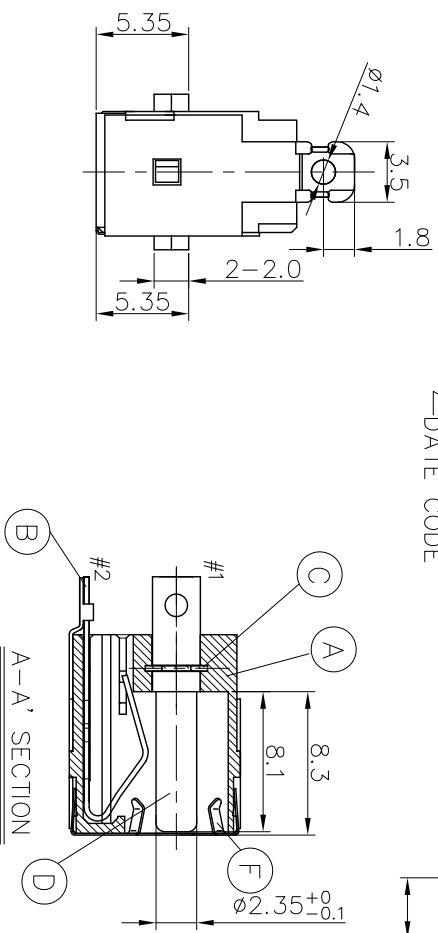
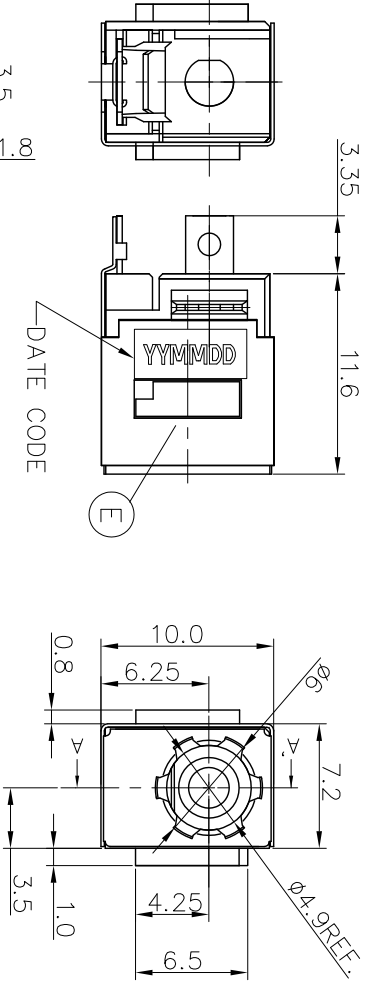


REV.	ECN NO. OR DESCRIPTION	REVISED	DATE
A	PDR NO. T120119-1A	Ron	2012.03.26
B	EDN NO. S121236	Danfeng	2012.12.18



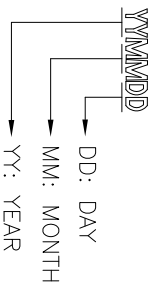
SPECIFICATIONS:

1. ELECTRICAL CHARACTERISTICS:

- 1-1. RATING: DC 19V 7A
- 1-2. CONTACT RESISTANCE : 15mΩMax(INITIAL), 30mΩMax(AFTER TEST)
- 1-3. DIELECTRIC WITHSTANDING VOLTAGE: 500V AC FOR ONE MINUTE
- 1-4. INSULATION RESISTANCE: 100MΩ MIN, MEASURED BY 500V DC

2. MECHANICAL CHARACTERISTICS:

- 2-1. INSERTION FORCE: 1.0KGF-3.0KGF
- 2-2. WITHDRAWAL FORCE: 1.0KGF-3.0KGF
- 3. LIFE TEST: 5,000 CYCLES MIN.
- 4. OTHER GENERAL SPEC. TO REFER "2DC-G756-BC3F" SPEC
- 5. TO CONFORM TO SINGATRON HAZARDOUS SUBSTANCE FREE SPEC
- 6. HALOGEN FREE PRODUCT IDENTIFICATION MARK ON PRODUCT:
- 7. HALOGEN FREE PRODUCT IDENTIFICATION LABEL ON PACKAGING:
- 8. FOR HAND SOLDERING LEAD FREE PROCESS.
- 9. PRINTED DATE CODE "YYMMDD" ON TOP OF CONNECTOR.



F	GROUND	1	STAINLESS 0.1t	N/A
E	SHIELDING	1	BRASS STRIP 0.2t	Ni 60μ Min.
D	PIN	1	BRASS BAR	4q 200" Over Ni 60μ Min.
C	TERMINAL	1	STAINLESS 0.3t	N/A
B	TIP SPRING	1	COPPER ALLOY 0.3t	4q 200" Over Ni 60μ Min.
A	BODY	1	THERMOPLASTIC 94V-0	BLACK COLOR
NO	DESCRIPTION	QTY	MATERIAL	PLATING & COLOR
UNLESS OTHERWISE SPECIFIED TOLERANCES				
Singatron Enterprise Co., Ltd. 信登企業股份有限公司				
TITLE		DC POWER JACK		
DWN	Danfeng	PART NO.	2DC-G756-BC3F	
CHKD	TOM	SCALE:	4:1	UNIT: mm
APVD	QUAN	SIZE:	A3	SHEET: 1 OF 1
REV: B				

CUSTOMER COPY