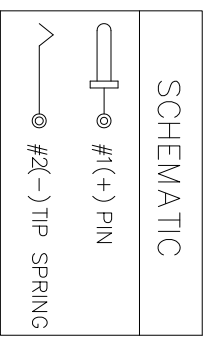
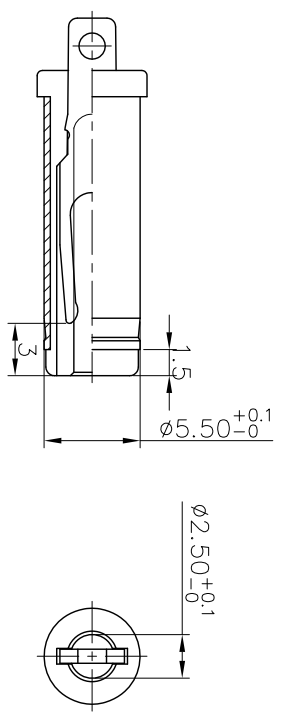
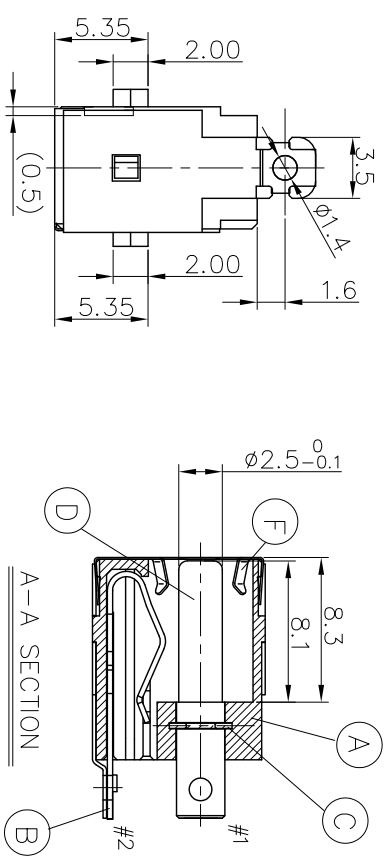
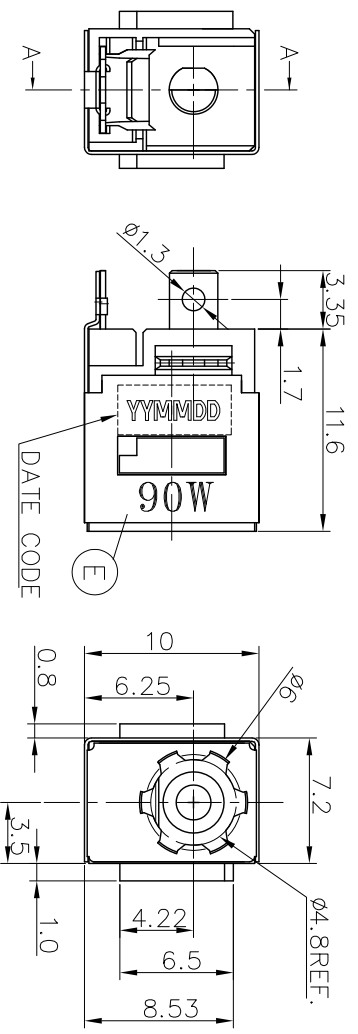


REV.	ECN NO OR DESCRIPTION	REVISED	DATE
A	PDR NO:T120725-4A	Yang	2012.08.30
B	ECN NO:S121236	Danfeng	2012.12.19



SPECIFICATIONS:

1.ELECTRICAL CHARACTERISTICS:

- 1-1.RATING:DC 20 V 7 A MAX.
- 1-2.CONTACT RESISTANCE:30mΩ MAX.(INITIAL)
- 1-3.DIELECTRIC WITHSTANDING VOLTAGE:250V AC FOR ONE MINUTE.
- 1-4.INSULATION RESISTANCE:100MΩ/MIN. MEASURED BY 500V DC.

2.MECHANICAL CHARACTERISTICS:

- 2-1.INSERTION FORCE: 3.0KgMAX.
- 2-2.WITHDRAWAL FORCE: 0.3kgf~3.0kgf.
- 3.LIFE TEST:5000 CYCLES MIN.

4.OTHER GENERAL SPEC. TO REFER "2DC-G756-BC7F SPEC".

5.TO CONFORM TO SINGAITRON HAZARDOUS SUBSTANCE FREE SPEC.

6.HALOGEN FREE PRODUCT IDENTIFICATION MARK ON JACK: ♻️

7.HALOGEN FREE PRODUCT IDENTIFICATION LABEL ON PACKAGING: ♻️

8. PRINTED DATE CODE"YYMMDD" ON TOP OF CONNECTOR.

DATE CODE:YYMMDD (YY:YEAR MM:MONTH DD:DAY)

F	GROUND	1	STAINLESS 0.1T	N/A
E	SHIELDING	1	COPPER ALLOY 0.2T	Ni 60u" Min
D	PIN	1	BRASS BAR	GOLD FLASH OVER Ni 50u"
C	TERMINAL	1	STAINLESS 0.3T	N/A
B	TIP SPRING	1	COPPER ALLOY 0.3T	Ag 20u" Min
A	BODY	1	HIGH THERMOPLASTIC UL94V-0	BLACK
NO	DESCRIPTION	QTY	MATERIAL	PLATING & COLOR

UNLESS OTHERWISE SPECIFIED TOLERANCES

信普企业股份有限公司  
Singaton Enterprise Co., Ltd.

DC POWER JACK

PART NO.2DC-G756-BC7F

SCALE:3:1

UNIT: mm

SHEET:1 OF 1

REV:B

DECIMALS:	ANGLES:	TITLE
X :±0.5	X :±2°	DWN Danfeng
X.X :±0.3	X.X :±1'	CHKD TOM
X.XX :±0.2		APVD QUAN

CUSTOMER COPY