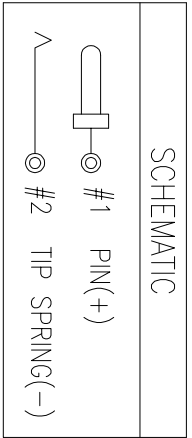
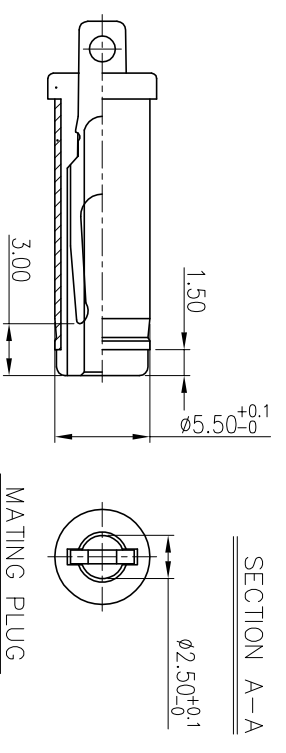
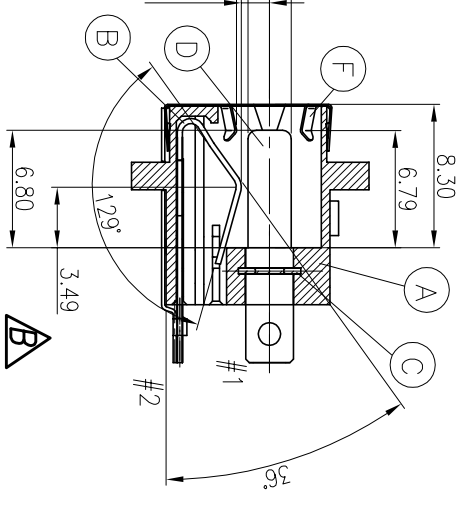
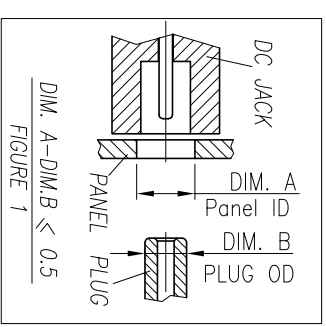
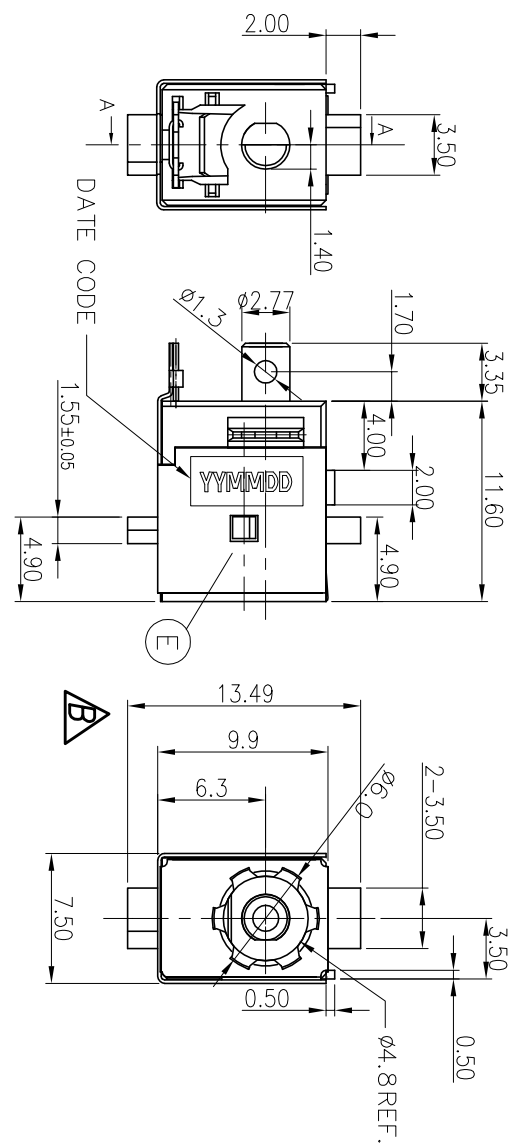


REV	ECN NO	OR DESCRIPTION	REVISED	DATE
A	PDR NO: TT30624-2A	Yang	2013.07.29	
B	ECN NO: S140660-1	Ken	2014.9.19	

SPECIFICATIONS:  
 1. ELECTRICAL CHARACTERISTICS:  
 1-1. RATING: DC 20V 7A  
 1-2. CONTACT RESISTANCE : 30mΩ Max(INITAL)  
 1-3. DIELECTRIC WITHSTANDING VOLTAGE: 500V AC FOR ONE MINUTE  
 1-4. INSULATION RESISTANCE: 100MΩ MIN, MEASURED BY 500 VDC  
 2. MECHANICAL CHARACTERISTICS:  
 2-1. INSERTION FORCE: 3.0KG Max.  
 2-2. WITHDRAWAL FORCE: 0.5KG-3.0KG  
 3. LIFE TEST: 5,000 CYCLES MIN.  
 4. OTHER GENERAL SPEC TO REFER "2DC-G756-BD4F" SPEC  
 5. TO CONFORM TO SINGATRON HAZAROUS SUBSTANCE FREE SPEC  
 6. HALOGEN FREE PRODUCT IDENTIFICATION MARK ON PRODUCT: ☉  
 7. HALOGEN FREE PRODUCT IDENTIFICATION LABEL ON PACKAGING:  
 8. FOR HAND SOLDERING LEAD FREE PROCESS.  
 9. THE PANEL'S ID MUST BE GREATER THAN THE PLUG'S OD WHICH MUST HAVE A DIFFERENCE OF LESS THAN OR EQUAL TO 0.5 mm.(AS SHOWN IN FIGURE 1.)  
 10. PRINTED DATE CODE "YYMMDD" ON TOP OF CONNECTOR.



NO	DESCRIPTION	QTY	MATERIAL	PLATING & COLOR
F	GROUND	1	STAINLESS 0.1T	清洗
E	SHIELDING	1	BRASS STRIP 0.2T	Ni 60u Min.
D	PIN	1	BRASS BAR	Gold Flash Over Ni60u Min
C	TERMINAL	1	STAINLESS 0.3T	清洗
B	TIP SPRING	1	COPPER ALLOY 0.3T	Ag 20u Min Over Ni60u Min
A	BODY	1	THERMOPLASTIC UL 94V-0	BLACK

UNLESS OTHERWISE SPECIFIED TOLERANCES

Singatron Enterprise Co., Ltd.  
 信亨企業股份有限公司

TITLE: DC POWER JACK  
 PART NO: 2DC-G756-BD4F

APVD: Liao SIZE: A3 SHEET: 1 OF 1 REV: B