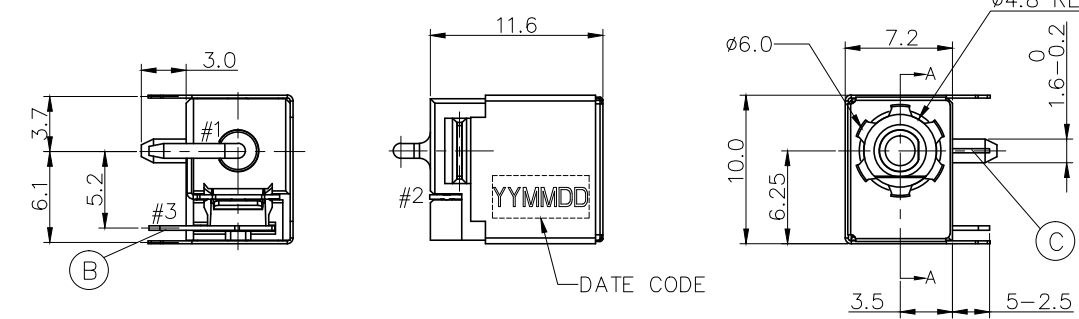
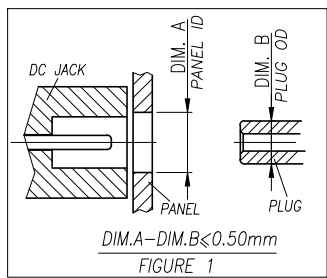
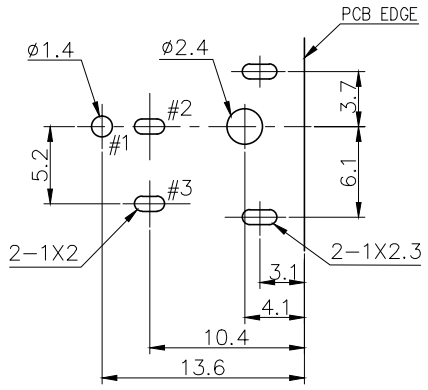
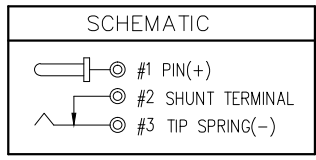
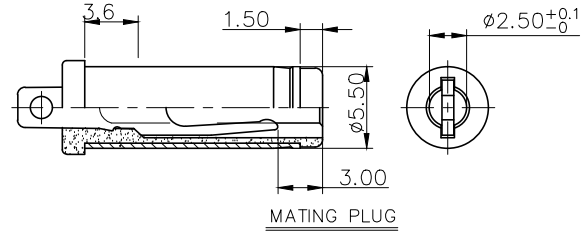
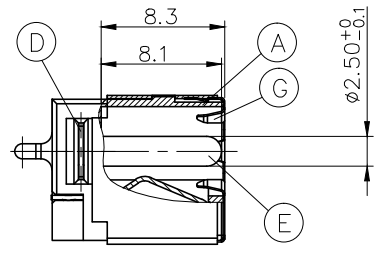
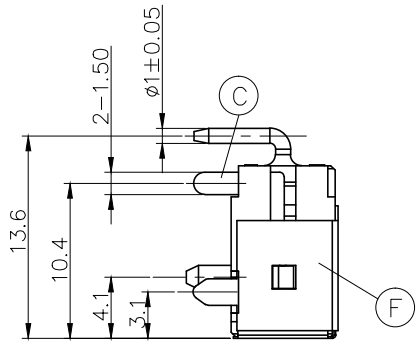
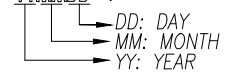


REV.	ECN NO OR DESCRIPTION	REVISED	DATE
A	PDR NO:T131016-2A	Springwu	2013.12.13



- SPECIFICATIONS:**
- ELECTRICAL CHARACTERISTICS:**
    - 1-1. RATING: DC 20V 4A
    - 1-2. CONTACT RESISTANCE: 30mΩ MAX.
    - 1-3. JACK SHALL WITHSTAND 500 V AC BETWEEN ANY ADJACENT TERMINAL FOR ONE MINUTE.
    - 1-4. INSULATION RESISTANCE: 100MΩ MIN. MEASURED BY 500 VDC
  - MECHANICAL CHARACTERISTICS:**
    - 2-1. INSERTION FORCE: 0.4~3.5KG.
    - 2-2. WITHDRAWAL FORCE: 0.4~4.5KG.
  - LIFE TEST: 5,000 CYCLES MIN.**
  - TO CONFORM TO SINGATRON HAZARDOUS SUBSTANCE FREE SPEC.**
  - HALOGEN FREE PRODUCT IDENTIFICATION MARK ON JACK:**
  - HALOGEN FREE PRODUCT IDENTIFICATION LABEL ON PACKAGING:**
  - FOR REFLOW SOLDERING LEAD-FREE PROCESS.**
  - THE PANEL'S ID MUST BE GREATER THAN THE PLUG'S OD WHICH MUST HAVE A DIFFERENCE OF LESS THAN OR EQUAL TO 0.50mm.(AS SHOWN IN FIGURE 1.)**
  - PRINTED DATE CODE "YYMMDD".**



NO	DESCRIPTION	QTY	MATERIAL	PLATING & COLOR
G	GROUNDING SPRING	1	STAINLESS 0.1T	N/A
F	SHELL	1	BRASS STRIP 0.2T	Ni 60u"Min
E	PIN(+)	1	BRASS BAR	Ag20u"Min Over Ni20u
D	TERMINAL	1	STAINLESS 0.3T	N/A
C	SHUNT TERMINAL	1	BRASS STRIP 0.3T	Ag20u"Min Over Ni20u"
B	TIP SPRING(-)	1	BRASS STRIP 0.3T	Ag20u"Min Over Ni20u"
A	BODY	1	HIGH TEMP. THERMOPLASTIC UL 94V-0	BLACK

UNLESS OTHERWISE SPECIFIED TOLERANCES

Singatron Enterprise Co., Ltd.  
信音企業股份有限公司

DECIMALS: X :±0.5 X.X :±0.3 X.XX :±0.2  
ANGLES: X :±2° X.X :±1°

TITLE	DC POWER JACK		
DWN	Springwu	PART NO. 2DC-G756-BD7F	
CHKD	Sky	SCALE:4:1	UNIT: mm
APVD	Lussen	SIZE: A3	SHEET:1 OF 1

**REV: A**

**CUSTOMER COPY**