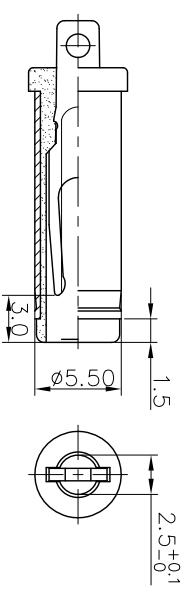
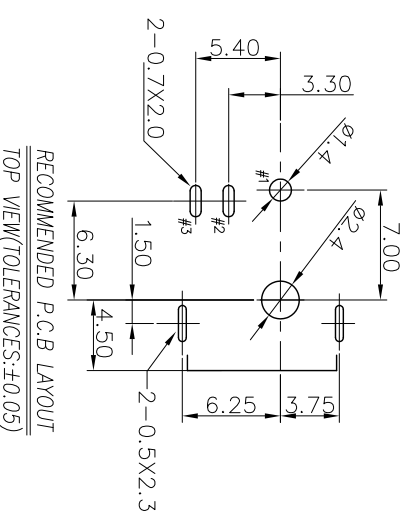
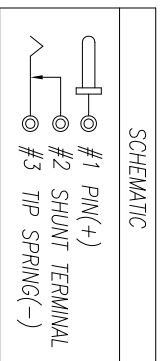
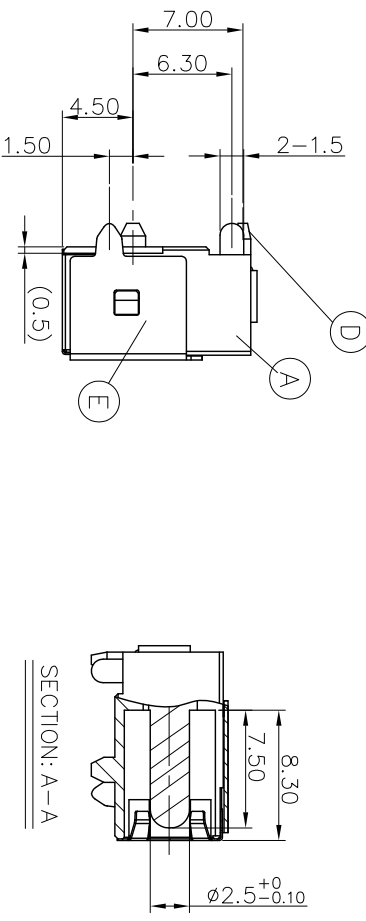
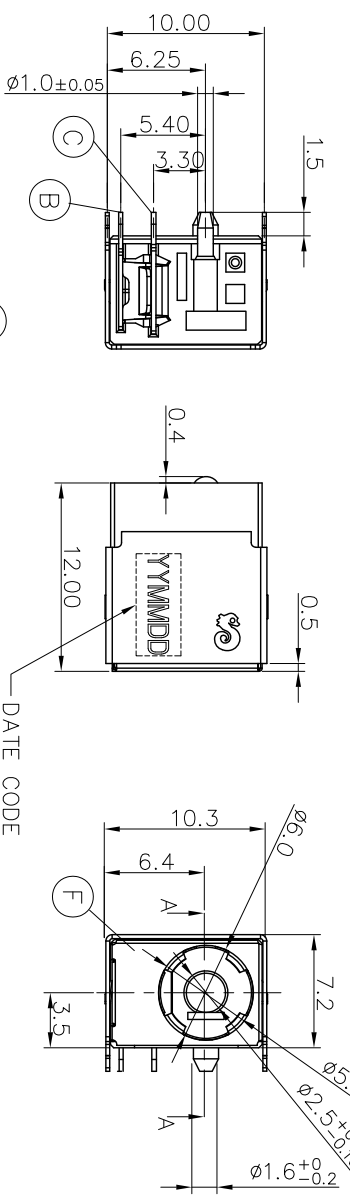
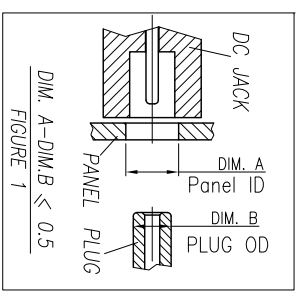


REV.	ECN NO. OR DESCRIPTION	REVISED	DATE
A	PDR NO. T131126-6A	Jie	2014.02.21
B	ECN NO. S140728	Ken	2014.09.11



MATING PLUG  $\phi 5.50$   
(TOLERANCE  $\pm 0.05$ )

- SPECIFICATIONS:**
- 1. ELECTRICAL CHARACTERISTICS:**
- 1-1. RATING: 20V 7A
  - 1-2. CONTACT RESISTANCE: 30mOHMS MAX.(INITIAL)
  - 1-3. DIELECTRIC WITHSTANDING VOLTAGE: 250V AC FOR ONE MINUTE.
  - 1-4. INSULATION RESISTANCE: 100MEGOHMS MIN. MEASURED BY 500 VDC
- 2. MECHANICAL CHARACTERISTICS:**
- 2-1. INSERTION FORCE : 0.8KG-2.0KG
  - 2-2. WITHDRAWAL FORCE : 0.8KG-2.0KG
- 3. LIFE TEST: 10,000 CYCLES MIN.**
- 4. OTHER GENERAL SPEC. TO REFER "2DCXXXX SERIES SPEC."**
- 5. TO CONFORM TO SINGATRON HAZARDOUS SUBSTANCE FREE SPEC.**
- 6. HALOGEN FREE PRODUCT IDENTIFICATION MARK ON PRODUCT:**
- 7. HALOGEN FREE PRODUCT IDENTIFICATION LOGO ON PACKAGING:**
- 8. FOR REFLOW SOLDERING LEAD-FREE PROCESS.**
- 9. The PANEL'S ID Must Be Greater Than The PLUG'S OD Which Must Have A Difference Of Less Than Or Equal To 0.5 mm.(As Shown In Figure 1.)**



NO	DESCRIPTION	QTY	MATERIAL	PLATING & COLOR
A	BODY	1	HIGH TEMP. THERMOPLASTIC UL 94V-0	BLACK
F	GROUNDING	1	STAINLESS 0.1T	N/A
E	SHIELDING	1	BRASS STRIP 0.25T	Ni 60u" Min
D	PIN	1	BRASS BAR	GOLD FLASH OVER Ni 50u"
C	SHUNT TERMINAL	1	BRASS STRIP 0.3T	GOLD FLASH OVER Ni 50u"
B	TIP SPRING	1	BRASS STRIP 0.25T	Ag 20u" OVER Ni 50u"

DECIMALS:	ANGLES:
X : $\pm 0.5$	X : $\pm 2^\circ$
X.X : $\pm 0.3$	X.X : $\pm 1'$
X.XX : $\pm 0.2$	

TITLE	DC POWER JACK
DWN	Ken
CHKD	Cerry
APVD	Liao
PART NO.	2DC-G756-BD8F
SCALE: 1:1	UNIT: mm
SIZE: A3	SHEET: 1 OF 1
REV: B	

**CUSTOMER COPY**

Singatron Enterprise Co., Ltd.  
信音企業股份有限公司