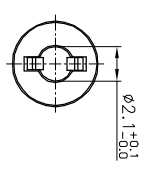
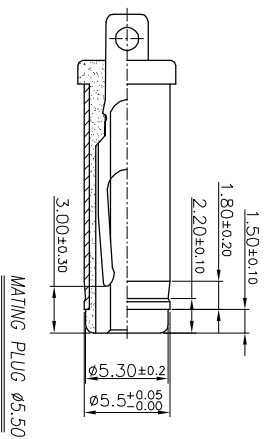
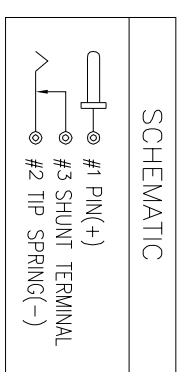
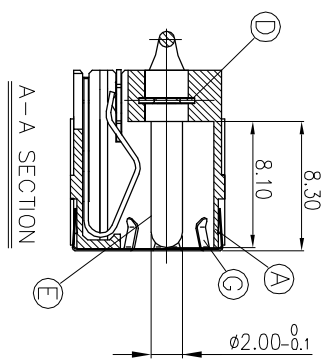
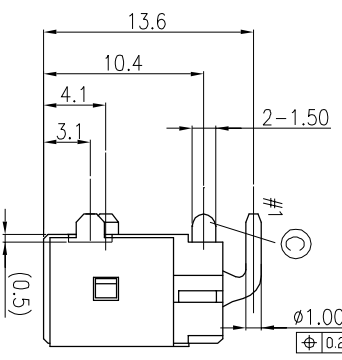
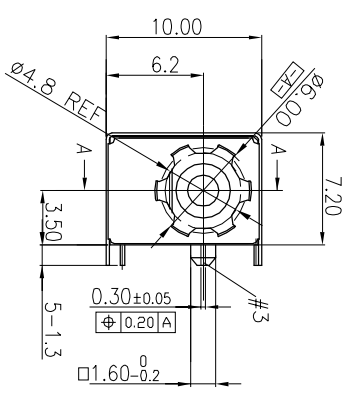
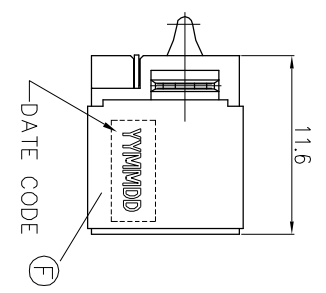
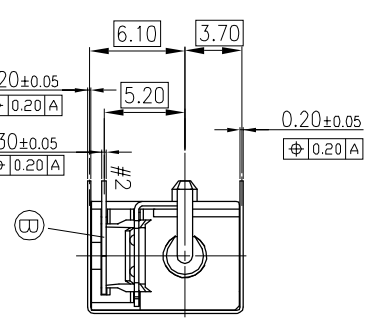


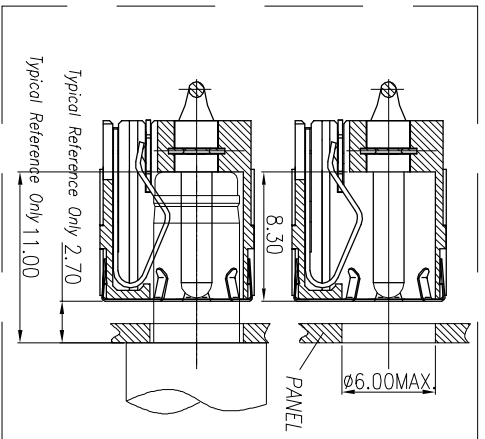
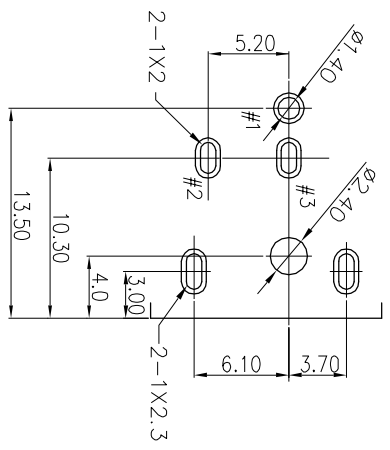
REV	ECN NO	OR DESCRIPTION	REVISED	DATE
A	PDR NO. C150727-6A	Springwul	2016.6.30	

SPECIFICATIONS:

1. ELECTRICAL CHARACTERISTICS:
- 1-1. RATING: 20V 4A
 - 1-2. CONTACT RESISTANCE: $30m\Omega$ MAX.
 - 1-3. DIELECTRIC WITHSTANDING VOLTAGE: 250V AC FOR ONE MINUTE.
 - 1-4. INSULATION RESISTANCE: $100M\Omega$ MIN. MEASURED BY 500 VDC.
2. MECHANICAL CHARACTERISTICS:
- 2-1. INSERTION FORCE: $0.4\sim3.0$ Kgf.
 - 2-2. WITHDRAWAL FORCE: $0.4\sim3.0$ Kgf.
- 3. LIFE TEST: 5,000 CYCLES.
 - 4. TO CONFORM TO SINGATRON HAZARDOUS SUBSTANCE FREE SPEC.
 - 5. HALOGEN FREE IDENTIFICATION MARK ON JACK:
 - 6. HALOGEN FREE IDENTIFICATION LABEL ON PACKAGING:
 - 7. FOR IR REFLOW SOLDERING LEAD-FREE PROCESS.
 - 8. PRINTED DATE CODE "YYMMDD".



PCB DEGE



Typical Reference Only 2.70
Typical Reference Only 11.00

RECOMMEND P.C.B LAYOUT
<TOP VIEW>TOLERANCE:±0.05

NO	DESCRIPTION	QTY	MATERIAL	PLATING & COLOR
G	GROUNDING SPRING	1	STAINLESS 0.1t	N/A
F	SHIELDING	1	BRASS STRIP 0.2t	Ni 60u" Min
E	PIN	1	BRASS BAR	Ag 20u" Min
D	TERMINAL	1	STAINLESS 0.3t	N/A
C	SHUNT TERMINAL	1	BRASS STRIP 0.3t	Ag 20u" Min
B	TIP SPRING	1	COPPER ALLOY 0.3t	Ag 20u" Over Ni20u"
A	BODY	1	HIGH TEMP. THERMOPLASTIC UL 94V-0	YELLOW COLOR(123C)

UNLESS OTHERWISE SPECIFIED TOLERANCES

Singatron Enterprise Co., Ltd.
信晉企業股份有限公司

DECIMALS:	ANGLES:	TITLE	DC POWER JACK
X : ±0.5	X : ±2°	DWV	Springwul
X.X : ±0.3	X.X : ±1°	CHKD	Sky
X.XX : ±0.2		APVD	Lussen

PART NO.	2DC-G756-D10F
SCALE:	mm
UNIT:	mm
SIZE:	A3
SHEET:	1 OF 2
REV:	A

CUSTOMER COPY