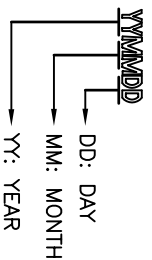
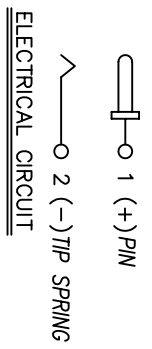
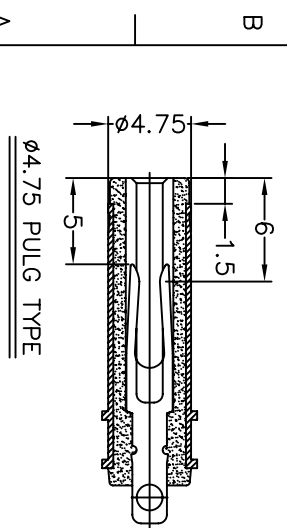
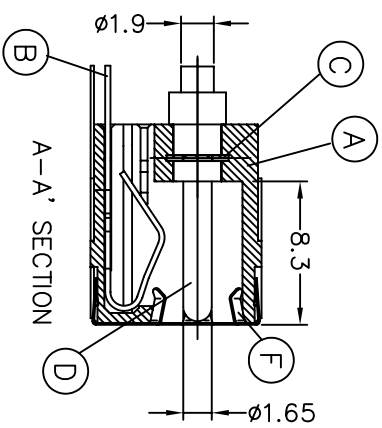
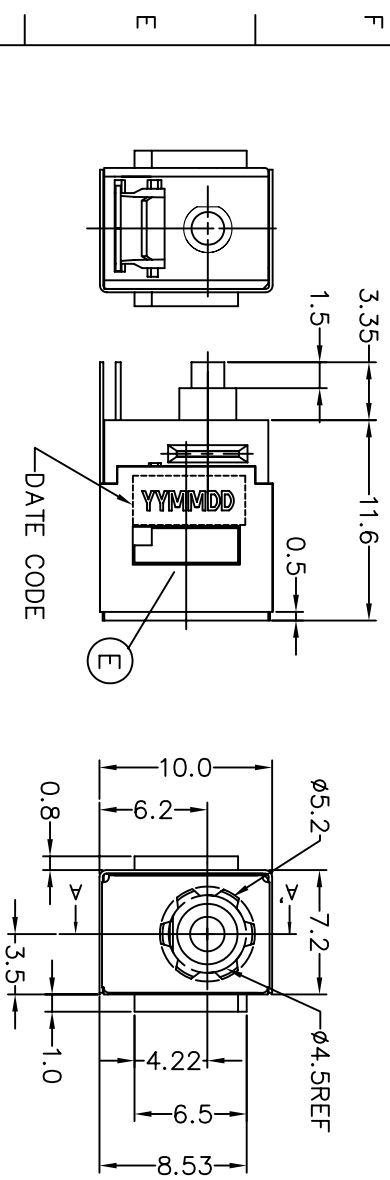


REV	ECN NO OR DESCRIPTION	REVISED	DATE
T	PDR NO.20061016-1	POCA	2006.10.17
A	RELEASE	POCA	2006.10.25



- SPECIFICATIONS:**
- 1.RATING: DC 20V 7A
  - 2.INSERTION FORCE: 1.0KG-3.0KG
  - 3.WITHDRAWAL FORCE: 1.0KG-3.0KG
  - 4.INSULATION RESISTANCE BETWEEN ANY ADJACENT TERMINALS SHALL NOT BE LESS THAN 100 MEGOHMS BY 500 VOLTS MEGGER.
  - 5.JACK SHALL WITHSTAND 250 VOLTS BETWEEN ANY ADJACENT TERMINAL FOR ONE MINUTE
  - 6.CONTACT RESISTANCE SHALL NOT EXCEED 15mΩ
  - 7.JACK SHALL WITHSTAND 5,000 CYCLES OF INSERTION AND WITHDRAWAL WITH TESTING PLUG,AND CONTACT RESISTANCE SHALL NOT EXCEED 15mΩ
  - 7.MEASURING CONDITION:  
TEMPERATURE: FROM 5°C TO 35°C.
  - RELATIVE HUMIDITY: FROM 40% TO 85%
  - 8.ENVIRONMENTAL SPECIFICATIONS:
  - 8.1 HUMIDITY TEST: HUMIDITY 90% TO 95% TEMPERATURE 40°C ± 2°C FOR 96 HOURS.
  - 8.2 HEAT TEST: TEMPERATURE 70°C ± 2°C (HUMIDITY BELOW 50%) FOR 96 HOURS.
  - 8.3 COLD TEST: TEMPERATURE -40°C ± 2°C FOR 96 HOURS.
  - 9.SOLDERABILITY TEST: THE TERMINATION IS AT LEAST 95% COVERED BY A CONTINUOUS NEW SOLDER COATING.
  - TEST CONDITION: DIP IN MOLTEN SOLDER FOR 5 Sec. AT 245±5°C (TERMINATION SHALL BE IMMERSSED IN FLUX BEFORE TEST)
  - 10.SOLDERING CONDITION: WAVE SOLDERING / IR REFLOW.
  - 11.TO CONFORM TO THE "SE-01-001" & "ROHS DIRECTIVE"
  - 12.GREEN PRODUCT IDENTIFICATION MARK IN JACK:
  - 13.GREEN PRODUCT IDENTIFICATION LABEL IN PACKING:
  - 14.FOR LEAD FREE PROCESS.
  - 15.PRINTED DATE CODE\* **YYMMDD**\* ON TOP OF CONNECTOR.

NO	DESCRIPTION	QTY	MATERIAL	PLATING & COLOR
F	GROUND	1	STAINLESS 0.1t	N/A
E	SHIELDING	1	BRASS STRIP 0.2t	NICKEL PLATING
D	PIN	1	BRASS BAR	SILVER PLATING
C	TERMINAL	1	STAINLESS 0.3t	N/A
B	TIP SPRING	1	COPPER ALLOY 0.3t	SILVER PLATING
A	BODY	1	HIGH TEMP.THERMOPLASTIC UL 94V-0	BLUE COLOR

UNLESS OTHERWISE SPECIFIED TOLERANCES

DECIMALS:	ANGLES:
X :±0.5	X :±2°
X.X :±0.3	X.X :±1°
X.XX :±0.2	

Singatron Enterprise Co., Ltd.  
信登企業股份有限公司

TITLE DC POWER JACK

DWN	Rev 2006.10.31	PART NO.2DC-G756-112	
CHKD		SCALE:3/1	UNIT: mm
APVD	Rev 2006.10.31	SIZE: A3	SHEET: 1 OF 1

CUSTOMER COPY