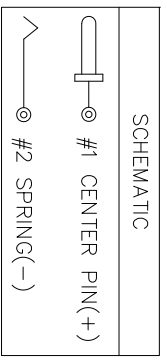
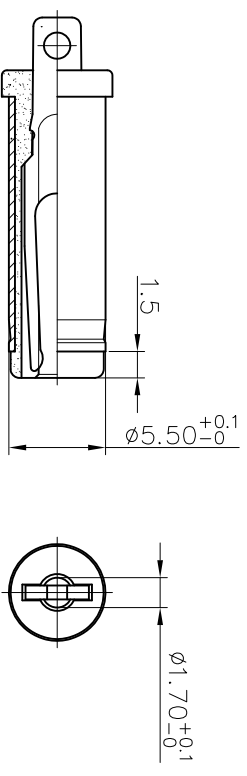
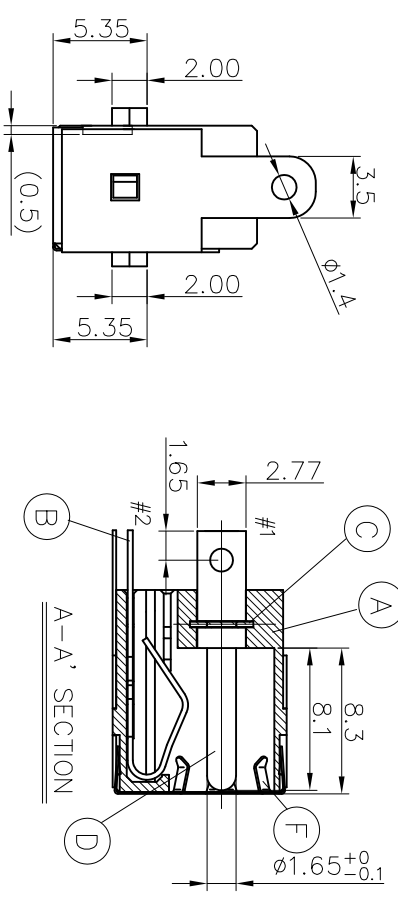
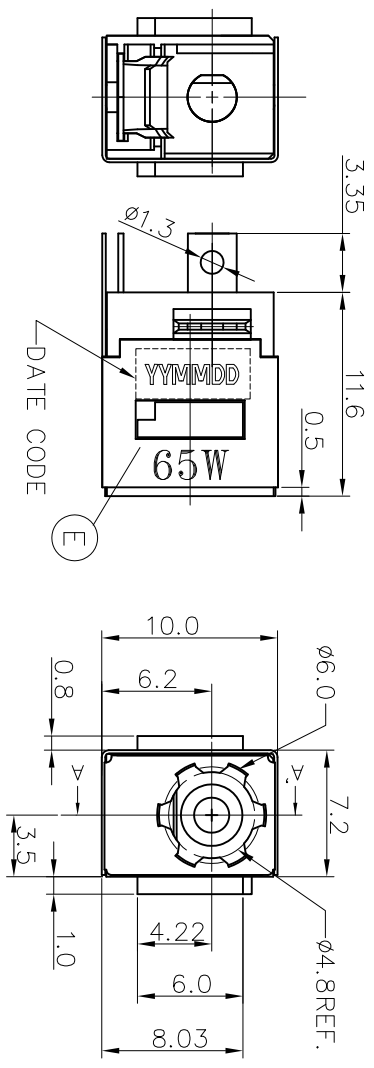
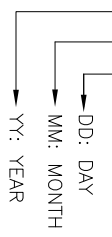


REV.	ECN NO OR DESCRIPTION	REVISED	DATE
C	ECN:S070519	TONY	2007.5.22
D	ECN NO.S070616&S070703	Quan-Zhou	2007.8.23
E	ECN NO.S130217	Danteng	2013.02.20



- SPECIFICATIONS:
- RATING: DC 20V 7A
 - INSERTION FORCE: 1.0KGf-3.0KGf
 - WITHDRAWAL FORCE: 1.0KGf-3.0KGf
 - INSULATION RESISTANCE BETWEEN ANY ADJACENT TERMINALS SHALL NOT BE LESS THAN 100 MEGOHMS BY 500 VOLTS MEGGER.
 - JACK SHALL WITHSTAND 250 VOLTS BETWEEN ANY ADJACENT TERMINAL FOR ONE MINUTE.
 - CONTACT RESISTANCE SHALL NOT EXCEED 15mΩ
 - JACK SHALL WITHSTAND 5,000 CYCLES OF INSERTION AND WITHDRAWAL WITH TESTING PLUG, AND CONTACT RESISTANCE SHALL NOT EXCEED 15mΩ
 - MEASURING CONDITION:
TEMPERATURE: FROM 5°C TO 35°C.
RELATIVE HUMIDITY: FROM 40% TO 85%
 - ENVIRONMENTAL SPECIFICATIONS:
8.1 HUMIDITY TEST: HUMIDITY 90% TO 95% TEMPERATURE 40°C ± 2°C FOR 96 HOURS.
8.2 HEAT TEST: TEMPERATURE 70°C ± 2°C (HUMIDITY BELOW 50%) FOR 96 HOURS.
8.3 COLD TEST: TEMPERATURE -40°C ± 2°C FOR 96 HOURS.
 - SOLDERABILITY TEST: THE TERMINATION IS AT LEAST 95% COVERED BY A CONTINUOUS NEW SOLDER COATING.
TEST CONDITION: DIP IN MOLTEN SOLDER FOR 5 Sec. AT 245±5°C (TERMINATION SHALL BE IMMERSSED IN FLUX BEFORE TEST)
 - SOLDERING CONDITION: WAVE SOLDERING.
 - TO CONFORM TO SINGATRON HAZARDOUS SUBSTANCE FREE SPEC.
 - GREEN PRODUCT IDENTIFICATION MARK IN JACK:
 - GREEN PRODUCT IDENTIFICATION LABEL IN PACKING:
 - FOR LEAD FREE PROCESS.
 - PRINTED DATE CODE "YMMD" ON TOP OF CONNECTOR.



F	GROUND	1	STAINLESS 0.1t	N/A
E	SHIELDING	1	BRASS STRIP 0.2t	N: 60u"Min.
D	PIN	1	BRASS BAR	Ag 0.5um Min.
C	TERMINAL	1	STAINLESS 0.3t	N/A
B	TIP SPRING	1	COPPER ALLOY 0.3t	Ag 0.5um Min.
A	BODY	1	THERMOPLASTIC UL 94V-0	YELLOW COLOR(123C)
NO	DESCRIPTION	QTY	MATERIAL	PLATING & COLOR

UNLESS OTHERWISE SPECIFIED TOLERANCES

Singaton Enterprise Co., Ltd.
信管企業股份有限公司

DECIMALS:	ANGLES:	TITLE
X : ±0.5	X : ±2°	DC POWER JACK
X.X : ±0.3	X.X : ±1°	DWN Danteng
X.XX : ±0.2		CHKD Cerry
		APVD Max

PART NO.2DC-G756-118
SCALE:3/1
UNIT: mm
SIZE: A3
SHEET: 1 OF 1
REV: E

CUSTOMER COPY