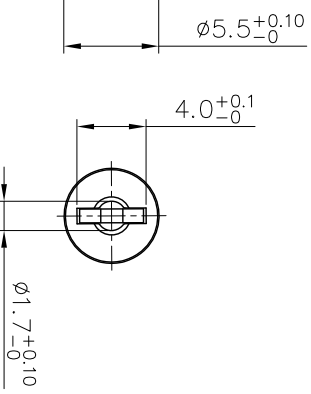
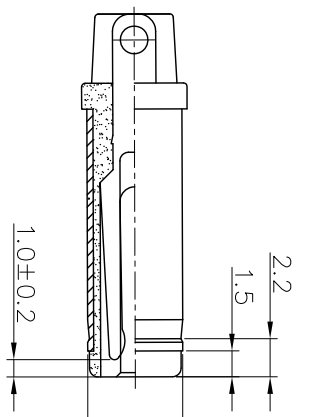
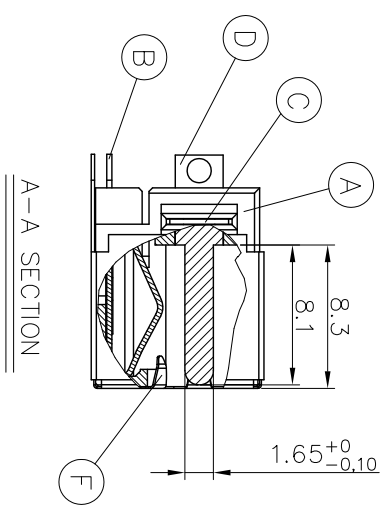
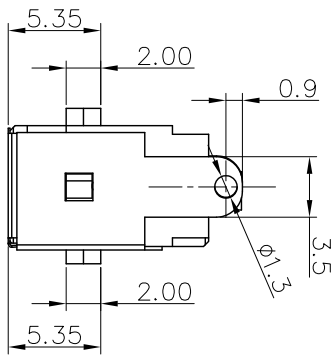
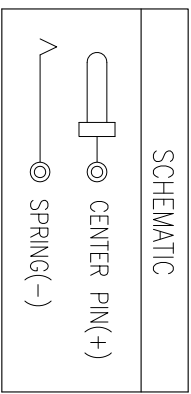
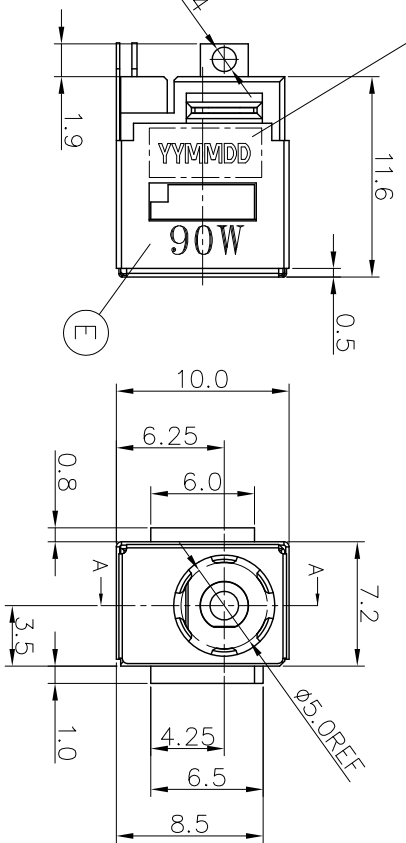
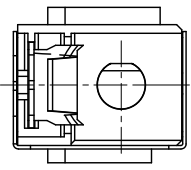


DATE CODE
 YY: YEAR
 MM: MONTH
 DD: DAY



Ø5.50 MATING PLUG

SPECIFICATIONS:

1. ELECTRICAL CHARACTERISTICS:

- 1-1. RATING: 20V 4.5A
 - 1-2. CONTACT RESISTANCE: 30mΩ MAX. (INITIAL)
 - 1-3. DIELECTRIC WITHSTANDING VOLTAGE: 500V AC FOR ONE MINUTE.
 - 1-4. INSULATION RESISTANCE: 100MΩ MIN. MEASURED BY 500V DC.
2. MECHANICAL CHARACTERISTICS:
- 2-1. INSERTION FORCE: 0.5kgf~3.0kgf.
 - 2-2. WITHDRAWAL FORCE: 0.5kgf~3.0kgf.

- 3. LIFE TEST: 5000 CYCLES MIN.
- 4. OTHER GENERAL SPEC. TO REFER "DC POWER JACK SPEC".
- 5. TO CONFORM TO SINGATRON HAZARDOUS SUBSTANCE FREE SPEC.
- 6. HALOGEN FREE PRODUCT IDENTIFICATION MARK ON PRODUCT:
- 7. HALOGEN FREE PRODUCT IDENTIFICATION LOGO ON PACKAGING:

REV.	ECN NO.	OR DESCRIPTION	REVISED	DATE
A	PDR NO. T100318-2B	Quan-Zhou	2010.10.06	

F	GROUND	1	STAINLESS 0.1t	N/A
E	SHIELDING	1	BRASS STRIP 0.2t	Ni60u Min.
D	PIN	1	BRASS BAR	GOLD FLASH OVER IN 50u"
C	TERMINAL	1	STAINLESS 0.3t	N/A
B	TIP SPRING	1	COPPER ALLOY 0.3t	Ag 200" OVER IN 20u"
A	BODY	1	THERMOPLASTIC UL 94V-0	BLACK
NO		DESCRIPTION		PLATING & COLOR
UNLESS OTHERWISE SPECIFIED TOLERANCES				
DECIMALS:		ANGLES:		
X	:±0.5	X	:±2°	
X.X	:±0.3	X.X	:±1°	
X.XX	:±0.2			
TITLE		DC POWER JACK		
DWN	Quan-Zhou	PART NO.	2DC-G756-QA5F	
CHKD	Boye-Qi	SCALE:	4:1	
APVD	Max	SIZE:	A3	
		SHEET:	1 OF 1	
		REV:	A	

Singatron Enterprise Co., Ltd.
 信譽企業股份有限公司

CUSTOMER COPY