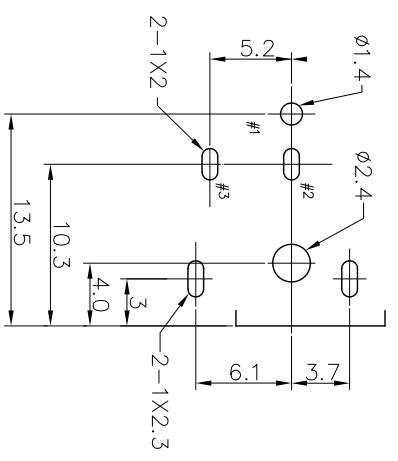
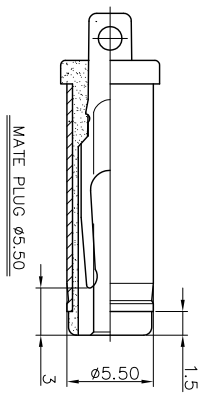
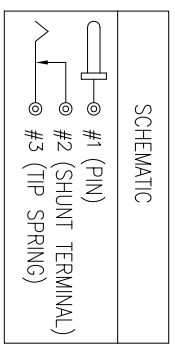
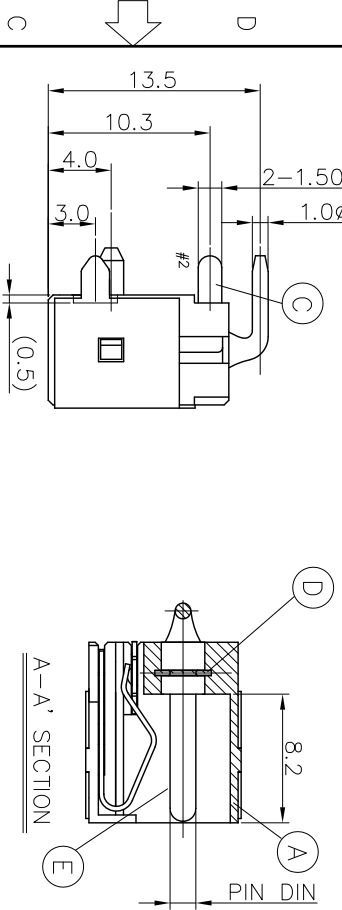
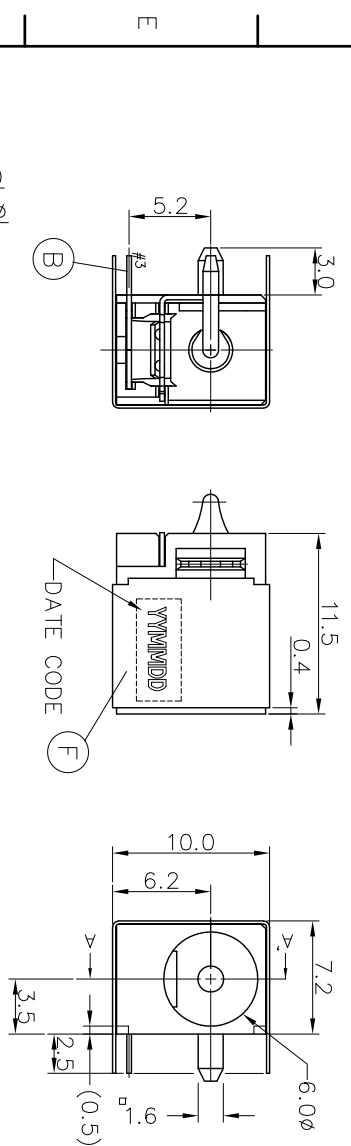


REV.	ECN NO.	OR DESCRIPTION	REVISED	DATE
E	ECN NO.S070616		Quan-Zhou	2007.08.23
F	ECN NO. S090318		Samming	2009.04.30
G	ECN NO.S121236		Danfeng	2012.12.24



ORDERING CODE:
2DC-G756-□06

DD: DAY
MM: MONTH
YY: YEAR

PART NO.	PIN DIA.
B	2.5 ^{+0.1} _{-0.1}
D	2.0 ^{+0.1} _{-0.1}
C	2.3 ^{+0.1} _{-0.1}
I	1.6 ^{+0.1} _{-0.1}

SPECIFICATIONS:

1. RATING: DC 20V 4A
2. INSERTION FORCE: 0.4KGf-3.0KGf
3. WITHDRAWAL FORCE: 0.4KGf-3.0KGf
4. JACK SHALL WITHSTAND 250 VOLTS BETWEEN ANY ADJACENT TERMINAL FOR ONE MINUTE.
5. CONTACT RESISTANCE SHALL NOT EXCEED 30mΩ
6. JACK SHALL WITHSTAND 5,000 CYCLES OF INSERTION AND WITHDRAWAL WITH TESTING PLUG, AND CONTACT RESISTANCE SHALL NOT EXCEED 100mΩ
7. MEASURING CONDITION: TEMPERATURE: FROM 5°C TO 35°C.
8. ENVIRONMENTAL SPECIFICATIONS: RELATIVE HUMIDITY: FROM 40% TO 85%
- 8.1 HUMIDITY TEST: HUMIDITY 90% TO 95% TEMPERATURE 40°C ± 2°C FOR 96 HOURS.
- 8.2 HEAT TEST: TEMPERATURE 70°C ± 2°C (HUMIDITY BELOW 50%) FOR 96 HOURS.
- 8.3 COLD TEST: TEMPERATURE -40°C ± 2°C FOR 96 HOURS.
9. SOLDERABILITY TEST: THE TERMINATION IS AT LEAST 95% COVERED BY A CONTINUOUS NEW SOLDER COATING.
- TEST CONDITION: DIP IN MOLTEN SOLDER FOR 5 Sec. AT 245±5°C (TERMINATION SHALL BE IMMersed IN FLUX BEFORE TEST)
10. PACKAGING: TAPE & REEL.
11. SOLDERING CONDITION: WAVE SOLDERING / IR REFLOW.
12. TO CONFORM TO SINGATRON HAZARDOUS SUBSTANCE FREE SPEC.
13. GREEN PRODUCT IDENTIFICATION MARK ON JACK: **GP PASS**
14. GREEN PRODUCT IDENTIFICATION LABEL ON PACKAGING: **GP PASS**
15. FOR LEAD-FREE PROCESS.
16. PRINTED DATE CODE "YMMD" ON TOP OF CONNECTOR.

NO	DESCRIPTION	QTY	MATERIAL	PLATING & COLOR
G	GROUNDING SPRING	1	STAINLESS 0.1t	N/A
F	SHIELDING	1	BRASS STRIP 0.2t	Ni 60u" Min
E	PIN	1	BRASS BAR	Ag 20u" Min
D	TERMINAL	1	STAINLESS 0.3t	N/A
C	SHUNT TERMINAL	1	BRASS STRIP 0.3t	Ag 20u" Min
B	TIP SPRING	1	YCUTM-H 0.3t	Ag 20u" Over N:20u"
A	BODY	1	HIGH TEMP. THERMOPLASTIC UL 94V-0	BLUE COLOR (PANTONE NO.298C)

UNLESS OTHERWISE SPECIFIED TOLERANCES

DECIMALS: ANGLES:

X : ±0.5 X : ±.2°

X.X : ±0.3 X.X : ±.1°

X.XX : ±0.2

TITLE	DC POWER JACK
DWN	Danfeng
CHKD	TOM
APVD	QUAN

Singatron Enterprise Co., Ltd.
信普企業股份有限公司

PART NO. 2DC-G756-X06

SCALE: N/A UNIT: mm

SIZE: A3 SHEET: 1 OF 1 REV: G

CUSTOMER COPY